

TRAPI

TR AVERS ■ P LEY T ■ P I STON



Turbo Suction Hose Air Tube

Air Spring Holder Travers Air Spring

Spring Bottom Pistons Bus Stabiliz

nomo Involutes Turbo Suction Hose

Stabilizator

General Catalog

2026

TRAPI

TR AVERS ■ PLEYT ■ PISTON

"Comfort"
is made possible
by the correct
combination of parts.



MORE EVERY DAY

Index

- AIR SPRING LOWER PISTONS**
- AIR SPRING TOP PLATES**
- AIR SPRING HOLDER TRAVERSES**
- STABILIZER BARS**
- CHASIS CONNECTION EQUIPMENTS**
- TRANSMISSION MAST**
- AIR SUSPENSION EQUIPMENT**
- SERVICE ASSEMBLY (WITHOUT PISTON)**
- ROLL AIR SPRINGS**
- COMPLETE WITH PISTON**
- CONVOLUTED AIR SPRINGS**
- AMERICAN AIR SPRINGS**
- AIR SPRING LOWER PLASTIC PISTONS**



HAKKIMIZDA / ABOUT US

Mercedes-Benz otobüs yedek parçaları ile imalat sektörüne giriş yapan firmamız, Mercedes-Benz, Setra, Neoplan, Man, Bova, Temsa, Bmc, Otokar ve Güteryüz - Cobra marka otobüslerin; piston, pleyt, travers, travers bağlantı ekipmanları, viraj denge milleri, şase bağlantı ekipmanları gibi birçok mekanik yedek parça üretimi ve Mercedes-Benz, Renault, Man, Volvo, Daf marka kamyon ve tırların; piston, pleyt gibi yedek parçalarının üretimi ile imalat yelpazesini gün geçtikçe genişletmektedir.

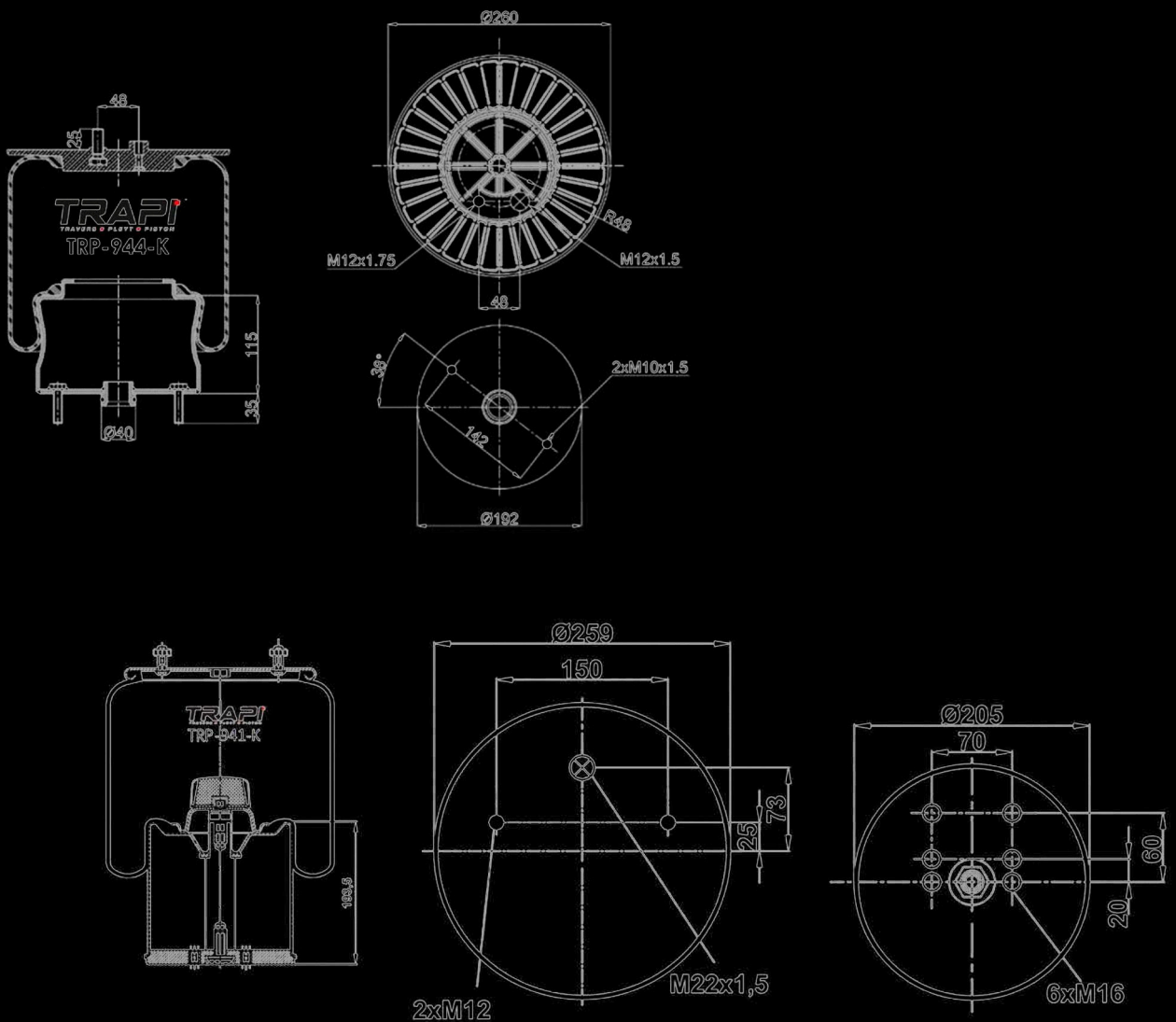
Firmamız, ürün grupları dahilindeki tüm yedek parçaları üretebilme kapasitesine sahiptir.

Our company which enters the manufacturing sector with spare parts of Mercedes-Benz bus, Mercedes-Benz, Setra, Neoplan, Man, Bova, Temsa, Bmc, Otokar and Güteryüz - Cobra brand buses; the production of many mechanical spare parts such as piston, plate, traverse, traverse connection equipments, stabiliser, chassis connection equipments and trucks of Mercedes-Benz, Renault, Man, Volvo, Daf brand; piston, and plate spare parts, and the manufacturing sector is expanding day by day.

Our company has the capacity to produce all spare parts in product groups.

AIR SPRING LOWER PLASTIC PISTONS

KÖRÜK ALT PLASTİK PİSTONLARI



TRP-602001 4157 PLASTIC PISTON



OEM REFERENCES		CROSS REFERENCES	
Daimler TAS	A 946 328 14 01	CONTITECH	4157 N P04

TRP-602002 PLASTIC PISTON



OEM REFERENCES		CROSS REFERENCES	

TRP-602004 PLASTIC PISTON



OEM REFERENCES		CROSS REFERENCES	

TRP-602005 PLASTIC PISTON



OEM REFERENCES		CROSS REFERENCES	

TRP-602008 PLASTIC PISTON



OEM REFERENCES		CROSS REFERENCES	

TRP-602010 4158 PLASTIC PISTON



OEM REFERENCES		CROSS REFERENCES	

TRP-602011 4022 PLASTIC PISTON



OEM REFERENCES		CROSS REFERENCES	

TRP-602028 PLASTIC PISTON



OEM REFERENCES		CROSS REFERENCES	

TRP-602038 PLASTIC PISTON



OEM REFERENCES		CROSS REFERENCES	

TRP-602077 PLASTIC PISTON



OEM REFERENCES		CROSS REFERENCES	

TRP-602079 PLASTIC PISTON



OEM REFERENCES		CROSS REFERENCES	

TRP-602084 PLASTIC PISTON



OEM REFERENCES		CROSS REFERENCES	

TRP-602089

6121 PLASTIC PISTON



OEM REFERENCES		CROSS REFERENCES	

TRP-602145

PLASTIC PISTON



OEM REFERENCES		CROSS REFERENCES	

Notes



A series of horizontal dotted lines for writing notes, spanning the width of the page.



Safe Travels...
With

TRAPI
TR AVERS ■ PLEYT ■ PISTON



trapi.com.tr

