

TRAPI

TR AVERS ■ PLEYT ■ PISTON



Turbo Suction Hose Air Tube

Air Spring Holder Travers Air Spring

Spring Bottom Pistons Bus Stabiliz

nomo Involutes Turbo Suction Hose

Stabilizator

General Catalog

2026

TRAPI

TR AVERS ■ PLEYT ■ PISTON

"Comfort"
is made possible
by the correct
combination of parts.



MORE EVERY DAY

Index

AIR SPRING LOWER PISTONS

AIR SPRING TOP PLATES

AIR SPRING HOLDER TRAVERSES

STABILIZER BARS

CHASIS CONNECTION EQUIPMENTS

TRANSMISSION MAST

AIR SUSPENSION EQUIPMENT

SERVICE ASSEMBLY (WITHOUT PISTON)

ROLL AIR SPRINGS

COMPLETE WITH PISTON

CONVOLUTED AIR SPRINGS

AMERICAN AIR SPRINGS

AIR SPRING LOWER PLASTIC PISTONS



HAKKIMIZDA / ABOUT US

Mercedes-Benz otobüs yedek parçaları ile imalat sektörüne giriş yapan firmamız, Mercedes-Benz, Setra, Neoplan, Man, Bova, Temsa, Bmc, Otokar ve Güteryüz - Cobra marka otobüslerin; piston, pleyt, travers, travers bağlantı ekipmanları, viraj denge milleri, şase bağlantı ekipmanları gibi birçok mekanik yedek parça üretimi ve Mercedes-Benz, Renault, Man, Volvo, Daf marka kamyon ve tırların; piston, pleyt gibi yedek parçalarının üretimi ile imalat yelpazesini gün geçtikçe genişletmektedir.

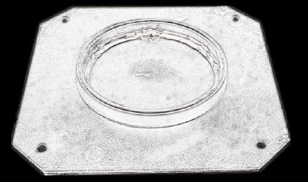
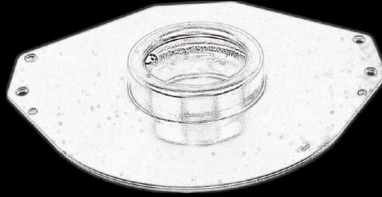
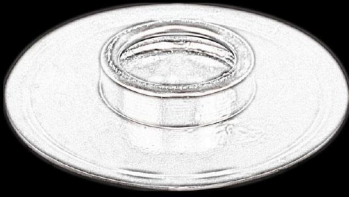
Firmamız, ürün grupları dahilindeki tüm yedek parçaları üretebilme kapasitesine sahiptir.

Our company which enters the manufacturing sector with spare parts of Mercedes-Benz bus, Mercedes-Benz, Setra, Neoplan, Man, Bova, Temsa, Bmc, Otokar and Güteryüz - Cobra brand buses; the production of many mechanical spare parts such as piston, plate, traverse, traverse connection equipments, stabiliser, chassis connection equipments and trucks of Mercedes-Benz, Renault, Man, Volvo, Daf brand; piston, and plate spare parts, and the manufacturing sector is expanding day by day.

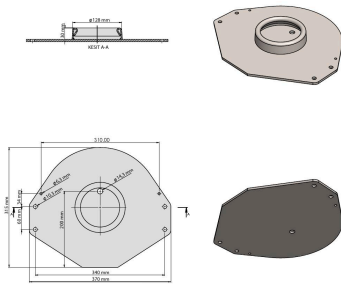
Our company has the capacity to produce all spare parts in product groups.

AIR SPRING TOP PLATES

KÖRÜK ÜST PLEYTLERİ



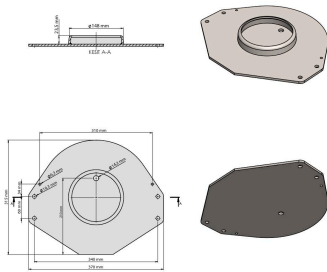
TRP - 2000



TRP-2000 SETRA REAR AIR SPRING TOP PLATE

OEM REFERENCES		CROSS REFERENCES	
SETRA	107233610211C	PHOENIX	1 E 21
		GOOD YEAR	8017
		AIRTECH	3644
		BLACKTECH	RL 9755
		CONTITECH	644 N
		DUNLOP	PNP301470102
		FIRESTONE	W01 095 01 18
		GART	276.0.390
		CF GOMMA	92574

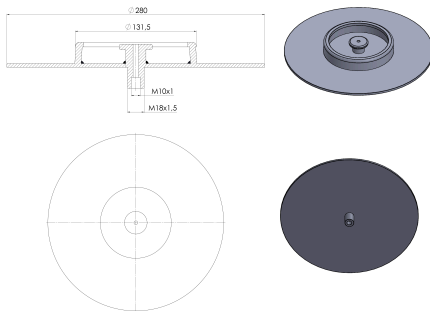
TRP - 2001



TRP-2001 SETRA FRONT AIR SPRING TOP PLATE

OEM REFERENCES		CROSS REFERENCES	
SETRA	107231010204C	BLACKTECH	RL 9772
		CONTITECH	661 N
		DUNLOP	PNP3049800101
		FIRESTONE	W01 095 0021
		GART	297.0.390
		CF GOMMA	8018
		AIRTECH	3661
		PHOENIX	1 E 25
		VIBRACOUSTIC	V 1 E 25(-2)

TRP-2002



TRP-2002 BMC PROBUS AIR SPRING TOP PLATE

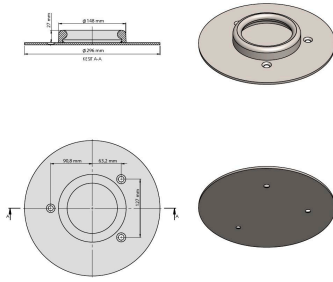
OEM REFERENCES		CROSS REFERENCES	
		BLACKTECH	RML 9893 C3



TRP-2003 HYUNDAI AIR SPRING TOP PLATE

OEM REFERENCES		CROSS REFERENCES	

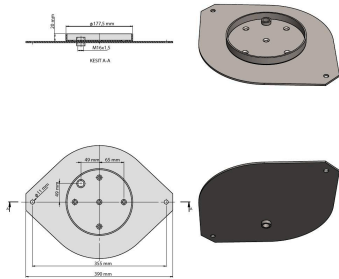
TRP - 2004



TRP-2004 MERCEDES 0403 AIR SPRING TOP PLATE

OEM REFERENCES		CROSS REFERENCES	
MERCEDES	6183200035	AIRTECH	3450-25
MERCEDES	3563200335	BLACKTECH	RL 9561-36
		CONTITECH	RZ 450-25
		GOOD YEAR	9050
		PHOENIX	1E 23
		VIBRACOUSTIC	V 1 E 23

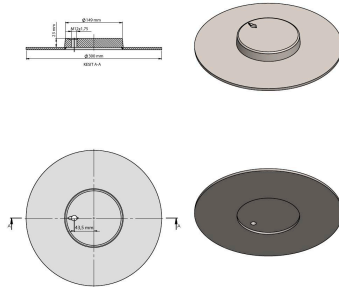
TRP - 2005



TRP-2005 BOVA AIR SPRING TOP PLATE

OEM REFERENCES		CROSS REFERENCES	
		FIRESTONE	W01 095 0205
		CONTITECH	701 N
		BLACKTECH	RL9812
		AIRTECH	3701
		VIBRACOUSTIC	V1E26A-13
		GOOD YEAR	9006
		PHOENIX	1E 26 A-13

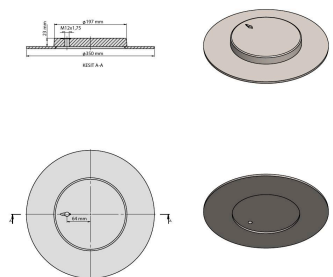
TRP - 2006



TRP-2006 NEOPLAN FRONT AIR SPRING TOP PLATE

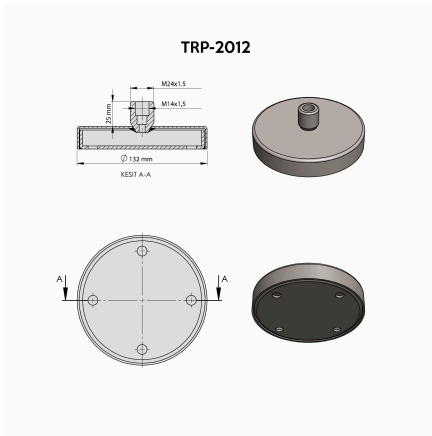
OEM REFERENCES		CROSS REFERENCES	
NEOPLAN	12252A	BLACKTECH	RL 9772
		CONTITECH	661 N
		DUNLOP	PNP304980101
		FIRESTONE	W01 095 0021
		GART	297.0.390
		CF GOMMA	8018
		AIRTECH	3661
		PHOENIX	1 E 25
		VIBRACOUSTIC	V 1 E 25(-2)

TRP - 2007



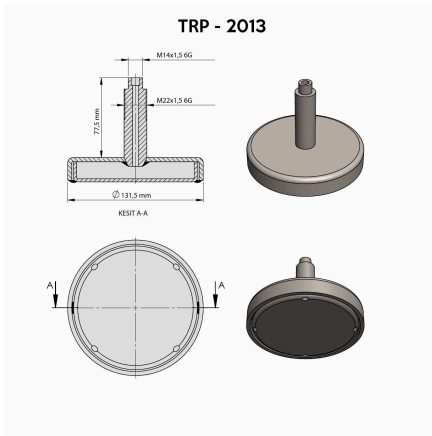
TRP-2007 NEOPLAN REAR AIR SPRING TOP PLATE

OEM REFERENCES		CROSS REFERENCES	
NEOPLAN	1021010800	BLACKTECH	RL 9773
NEOPLAN	12253A	CONTITECH	662 N
		DUNLOP	PNP3027300101
		FIRESTONE	W01 095 0207
		GART	292.0.380
		GOOD YEAR	9007
		AIRTECH	3662
		PHOENIX	1 E 32
		VIBRACOUSTIC	V 1 E 32



TRP-2012 MERCEDES TRAVEGO AIR SPRING AIR VALVE

OEM REFERENCES		CROSS REFERENCES	
MERCEDES	6283200135		
MERCEDES	6283200435		
MERCEDES	6283200335		
MERCEDES	6283200535		



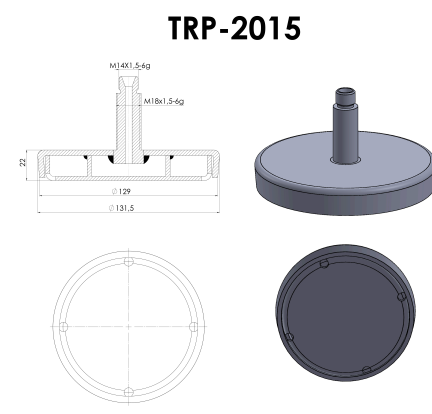
TRP-2013 BMC AIR SPRING AIR VALVE

OEM REFERENCES		CROSS REFERENCES	
BMC	53RS701918	CONTITECH	644 N
		DUNLOP	PNP301470102
		FIRESTONE	W01 095 01 18
		CF GOMMA	92574
		GART	276.0.390
		GOOD YEAR	8017
		PHOENIX	1 E 21
		VIBRACOUSTIC	V 1 E 21
		BLACKTECH	RL 9755

TRP-2014 AIR SPRING TOP PLATE



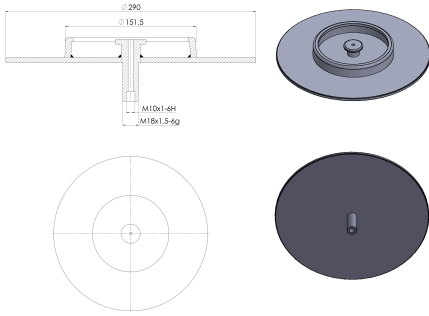
OEM REFERENCES		CROSS REFERENCES	



TRP-2015 GULERYUZ-COBRA AIR SPRING AIR VALVE

OEM REFERENCES		CROSS REFERENCES	

TRP-2016



TRP-2016 BMC AIR SPRING TOP PLATE

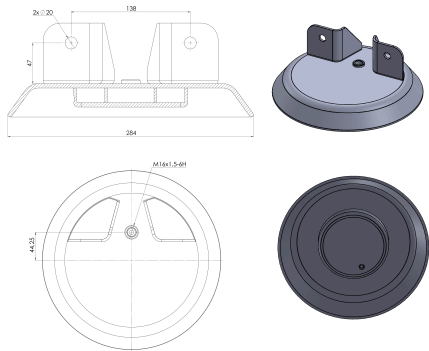
OEM REFERENCES		CROSS REFERENCES	
OTOKAR	16N00-03650-AB	BLACKTECH	RML 9772 C7



TRP-2017 BMC AIR SPRING TOP PLATE

OEM REFERENCES		CROSS REFERENCES	
BMC	53RS900083	BLACKTECH	RML 9755 C3

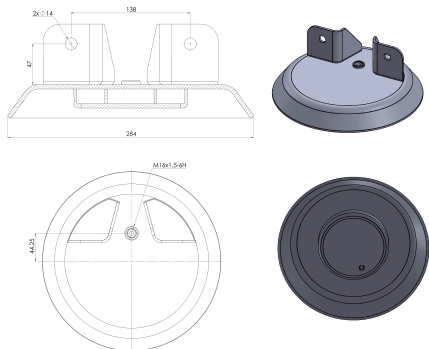
TRP-2018



TRP-2018 673 NP AIR SPRING TOP PLATE

OEM REFERENCES		CROSS REFERENCES	

TRP-2019



TRP-2019 673 NPR AIR SPRING TOP PLATE

OEM REFERENCES		CROSS REFERENCES	

TRP-2020 AIR SPRING TOP PLATE



OEM REFERENCES		CROSS REFERENCES	

TRP-2021 AIR SPRING TOP PLATE



OEM REFERENCES		CROSS REFERENCES	

TRP-2022 AIR SPRING TOP PLATE



OEM REFERENCES		CROSS REFERENCES	

TRP-2023 AIR SPRING TOP PLATE



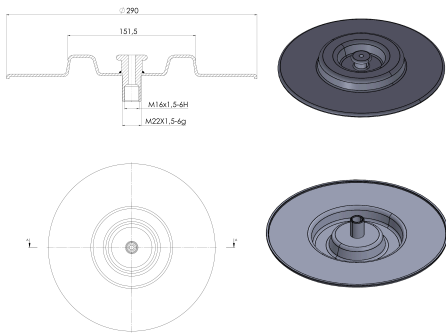
OEM REFERENCES		CROSS REFERENCES	

TRP-2024 IKARUS AIR SPRING TOP PLATE



OEM REFERENCES		CROSS REFERENCES	

TRP-2025



TRP-2025 AIR SPRING TOP PLATE (1415)

OEM REFERENCES		CROSS REFERENCES	

TRP-2026 AIR SPRING TOP PLATE (1782)



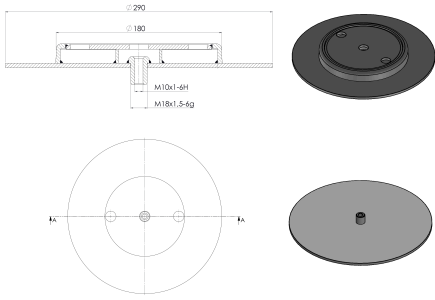
OEM REFERENCES		CROSS REFERENCES	

TRP-2027 VAN HOOL AIR SPRING TOP PLATE



OEM REFERENCES		CROSS REFERENCES	

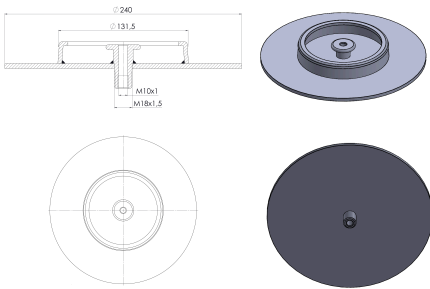
TRP-2028



TRP-2028 TEZELLER AIR SPRING TOP PLATE

OEM REFERENCES		CROSS REFERENCES	
MERCEDES-AXOR	0501 215 603	PHOENIX	1 E 26 A-14

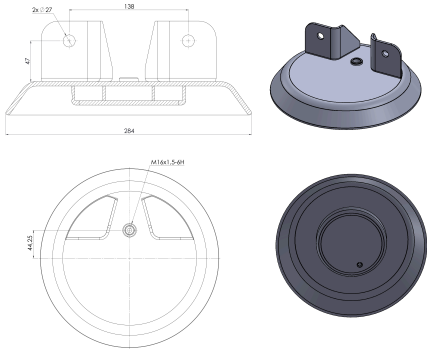
TRP-2029



TRP-2029 AIR SPRING TOP PLATE

OEM REFERENCES		CROSS REFERENCES	
		CONTITECH	817 MB

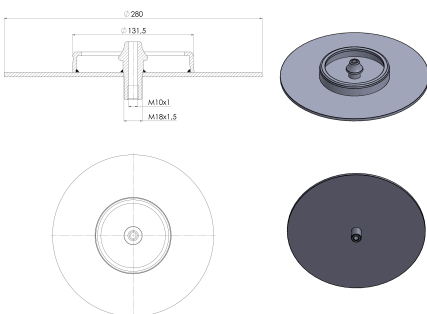
TRP-2030



TRP-2030 AIR SPRING TOP PLATE (673)

OEM REFERENCES		CROSS REFERENCES	

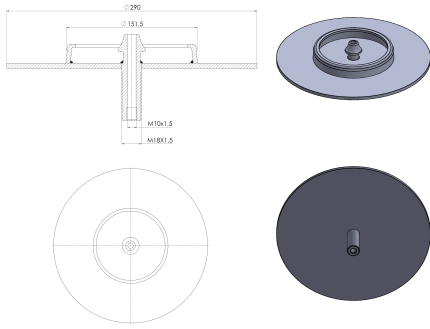
TRP-2031



TRP-2031 AIR SPRING TOP PLATE

OEM REFERENCES		CROSS REFERENCES	
		FIRESTONE	W010950197

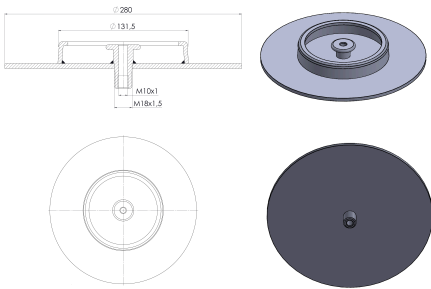
TRP-2032



TRP-2032 AIR SPRING TOP PLATE (661-4C)

OEM REFERENCES		CROSS REFERENCES	

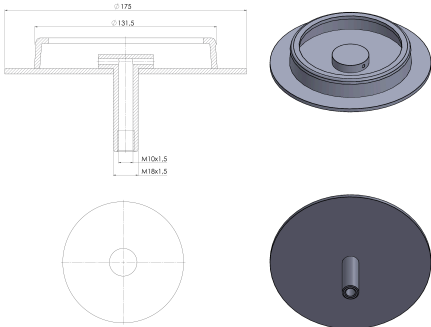
TRP-2033



TRP-2033 AIR SPRING TOP PLATE (921-C)

OEM REFERENCES		CROSS REFERENCES	

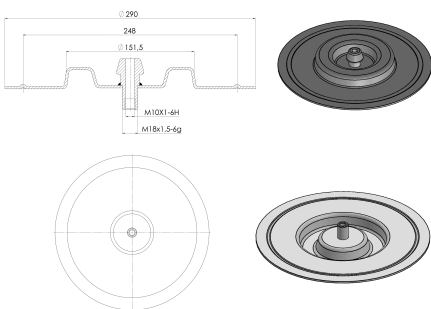
TRP-2034



TRP-2034 COBRA AIR SPRING TOP PLATE

OEM REFERENCES		CROSS REFERENCES	

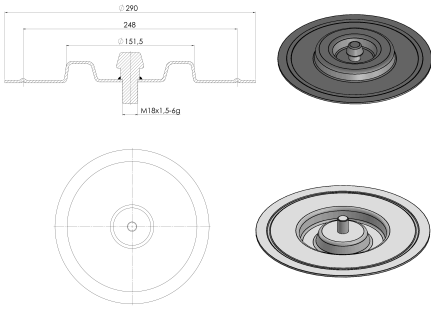
TRP-2035



TRP-2035 ISUZU CITYPORT AIR SPRING TOP PLATE BACK

OEM REFERENCES		CROSS REFERENCES	

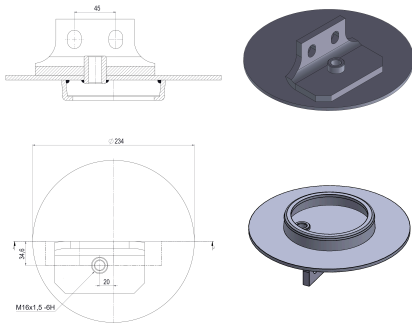
TRP-2036



TRP-2036 ISUZU CITYPORT AIR SPRING TOP PLATE FRONT

OEM REFERENCES		CROSS REFERENCES	

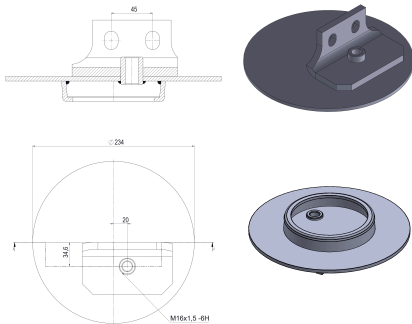
TRP-2037



TRP-2037 IVECO RIGHT AIR SPRING TOP PLATE

OEM REFERENCES		CROSS REFERENCES	

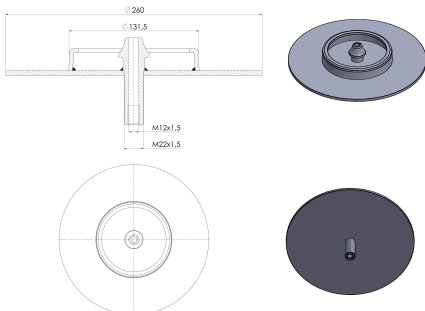
TRP-2038



TRP-2038 IVECO LEFT AIR SPRING TOP PLATE

OEM REFERENCES		CROSS REFERENCES	

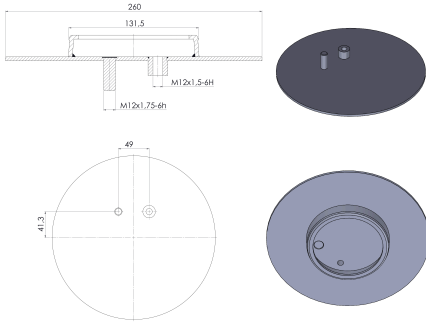
TRP-2039



TRP-2039 AIR SPRING TOP PLATE

OEM REFERENCES		CROSS REFERENCES	
VOLVO	1134445	BLACKTECH	RML 9755 C3

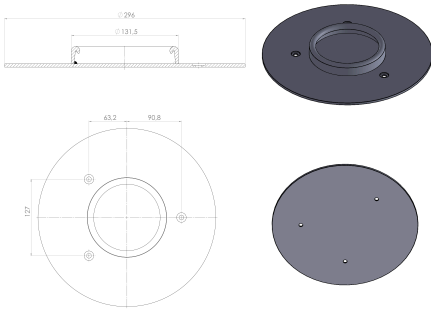
TRP-2040



TRP-2040 AIR SPRING TOP PLATE

OEM REFERENCES		CROSS REFERENCES	
IVECO	5006228740	CF gomma	206840

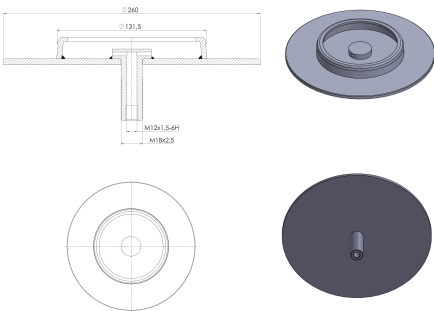
TRP-2041



TRP-2041 MERCEDES 0403 AIR SPRING TOP PLATE

OEM REFERENCES		CROSS REFERENCES	

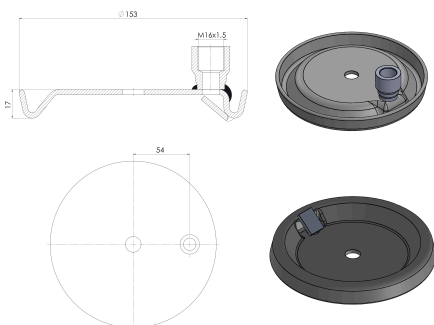
TRP-2042



TRP-2042 AIR SPRING TOP PLATE

OEM REFERENCES		CROSS REFERENCES	
BMC	53RS900142		

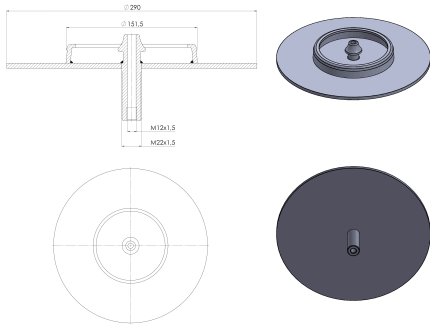
TRP-2043



TRP-2043 AIR SPRING TOP PLATE

OEM REFERENCES		CROSS REFERENCES	

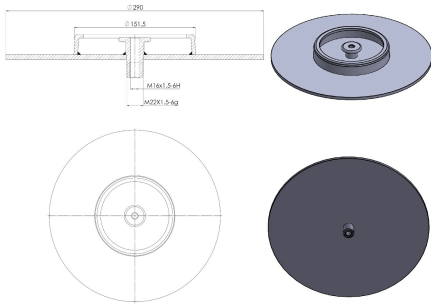
TRP-2044



TRP-2044 AIR SPRING TOP PLATE

OEM REFERENCES		CROSS REFERENCES	

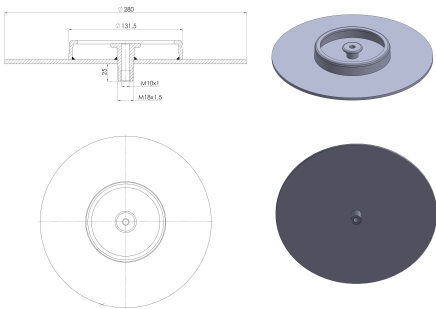
TRP-2045



TRP-2045 AIR SPRING TOP PLATE

OEM REFERENCES		CROSS REFERENCES	

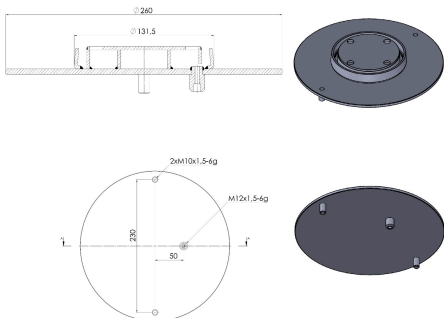
TRP-2046



TRP-2046 AIR SPRING TOP PLATE

OEM REFERENCES		CROSS REFERENCES	

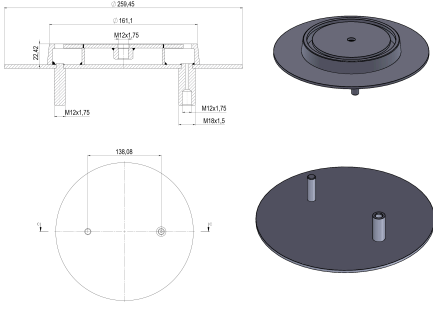
TRP-2047



TRP-2047 AIR SPRING TOP PLATE

OEM REFERENCES		CROSS REFERENCES	

TRP-2048



TRP-2048 AIR SPRING TOP PLATE

OEM REFERENCES		CROSS REFERENCES	
SCANIA	411623	FIRESTONE	W010950229
		CONTITECH	897 N
		DUNLOP	PNP305210101
		CF GOMMA	88788
		BLACKTECH	RL 9908
		AIRTECH	3897
		GART	278.0.430
		GOOD YEAR	8313
		PHOENIX	2E+23

Notes



A series of horizontal dotted lines for writing notes, filling the majority of the page.



Safe Travels...
With

TRAPI
TR AVERS ■ PLEYT ■ PISTON



trapi.com.tr

