

# TRAPI

TR AVERS ■ P LEYT ■ P ISTON



Turbo Suction Hose Air Tube

Air Spring Holder Travers Air Spring

Spring Bottom Pistons Bus Stabiliz

nomo Involutes Turbo Suction Hose

Stabilizator

## General Catalog

2026

# TRAPI

TR AVERS ■ PLEYT ■ PISTON

**"Comfort"**  
is made possible  
by the correct  
combination of parts.



**MORE EVERY DAY**

# Index

**AIR SPRING LOWER PISTONS**

**AIR SPRING TOP PLATES**

**AIR SPRING HOLDER TRAVERSES**

**STABILIZER BARS**

**CHASIS CONNECTION EQUIPMENTS**

**TRANSMISSION MAST**

**AIR SUSPENSION EQUIPMENT**

**SERVICE ASSEMBLY (WITHOUT PISTON)**

**ROLL AIR SPRINGS**

**COMPLETE WITH PISTON**

**CONVOLUTED AIR SPRINGS**

**AMERICAN AIR SPRINGS**

**AIR SPRING LOWER PLASTIC PISTONS**



## HAKKIMIZDA / ABOUT US

---

Mercedes-Benz otobüs yedek parçaları ile imalat sektörüne giriş yapan firmamız, Mercedes-Benz, Setra, Neoplan, Man, Bova, Temsa, Bmc, Otokar ve Güteryüz - Cobra marka otobüslerin; piston, pleyt, travers, travers bağlantı ekipmanları, viraj denge milleri, şase bağlantı ekipmanları gibi birçok mekanik yedek parça üretimi ve Mercedes-Benz, Renault, Man, Volvo, Daf marka kamyon ve tırların; piston, pleyt gibi yedek parçalarının üretimi ile imalat yelpazesini gün geçtikçe genişletmektedir.

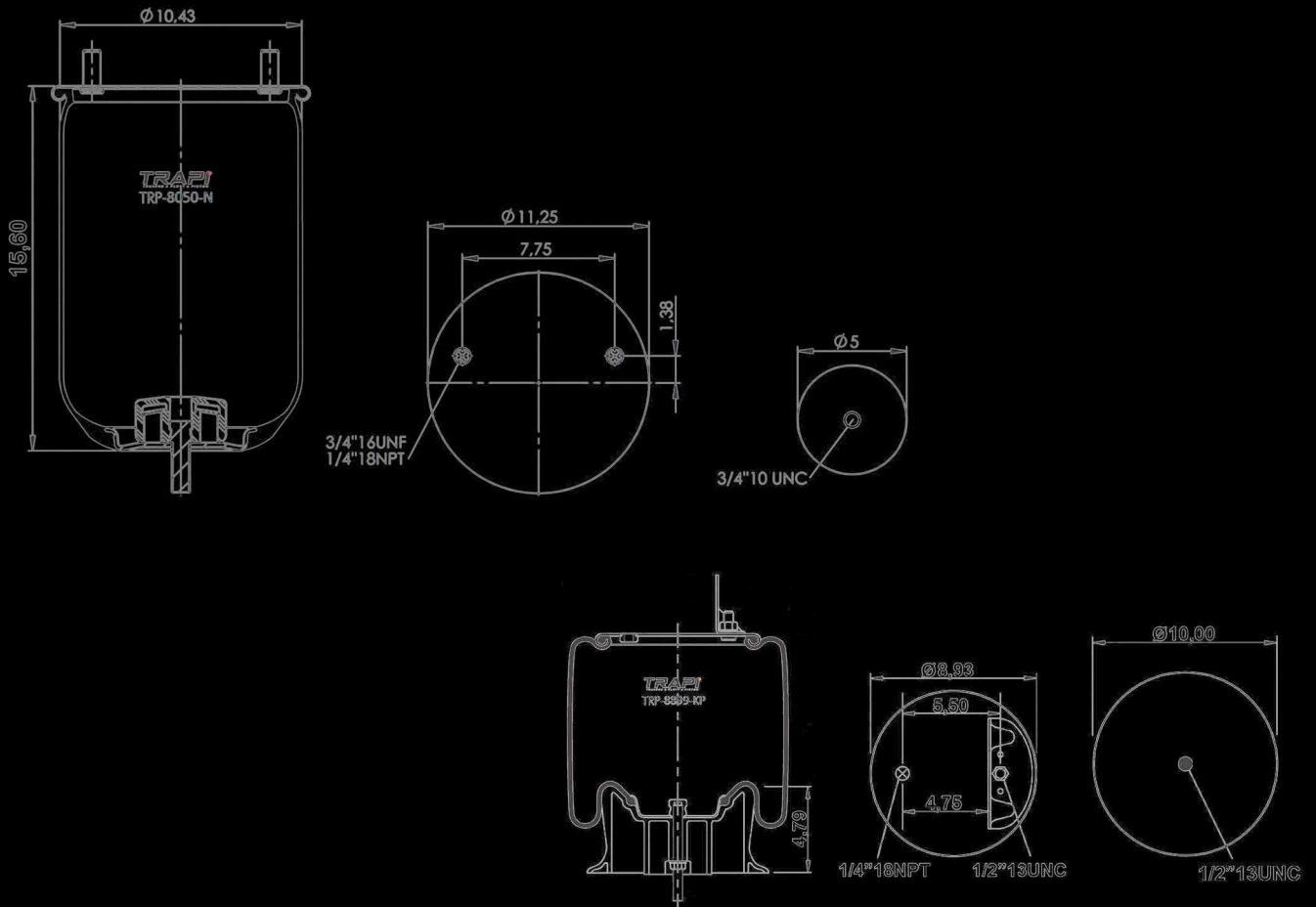
Firmamız, ürün grupları dahilindeki tüm yedek parçaları üretebilme kapasitesine sahiptir.

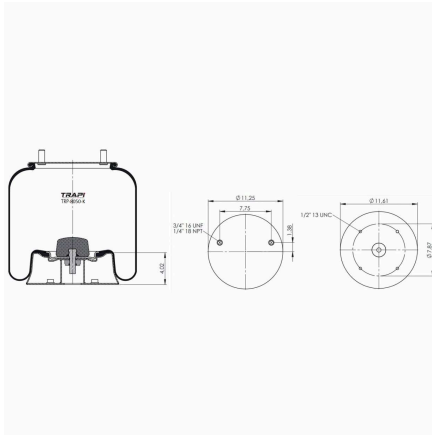
Our company which enters the manufacturing sector with spare parts of Mercedes-Benz bus, Mercedes-Benz, Setra, Neoplan, Man, Bova, Temsa, Bmc, Otokar and Güteryüz - Cobra brand buses; the production of many mechanical spare parts such as piston, plate, traverse, traverse connection equipments, stabiliser, chassis connection equipments and trucks of Mercedes-Benz, Renault, Man, Volvo, Daf brand; piston, and plate spare parts, and the manufacturing sector is expanding day by day.

Our company has the capacity to produce all spare parts in product groups.

# AMERICAN AIR SPRINGS

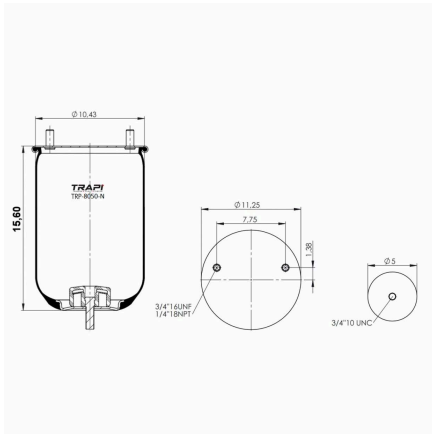
## AMERİKAN KÖRÜKLER





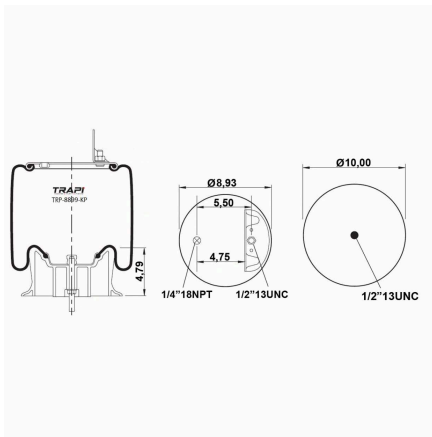
## TRP-8050-K COMPLETE WITH METAL PISTON (AMERICAN TYPE)

OEM REFERENCES		CROSS REFERENCES	
AUTOMANN PART	1D28K-8050	Firestone	1T19ZK-5.7
DAYTON	352-8050	Firestone	W013588050
EUCLID PART	E-FS8050	Goodyear	1R14-039
HENDRICKSON	B-4771	Vibracoustic	V1DK28A-8050
HENDRICKSON	S4771	Contitech	1110.5C-16A320
LOADGUARD	SC2052		
NAVISTAR	1685174C1		
WESTAR PART	87-78050		



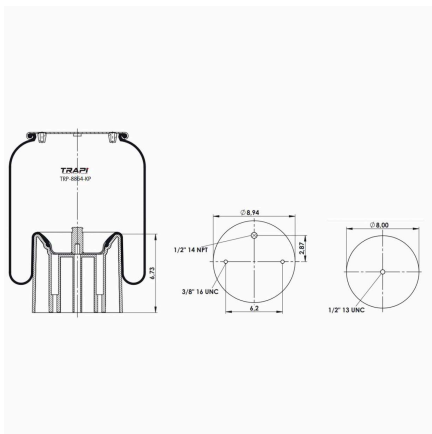
## TRP-8050-N AIR SPRING WITHOUT PISTON (AMERICAN TYPE)

OEM REFERENCES		CROSS REFERENCES	
DAYTON	352-8050	Firestone	W013588050**SA
HENDRICKSON	B12514-013	Firestone	1T19J-6
HENDRICKSON	S4771	Goodyear	1R14-039
LOADGUARD	SC2052	Airtech	38050P 122282
NAVISTAR	1685174C1		
REYCO GRANNING	23631-01		
RIDEWELL	1003588050C		
TRIANGLE	8320		
WATSON & CHALIN	AS-0039		



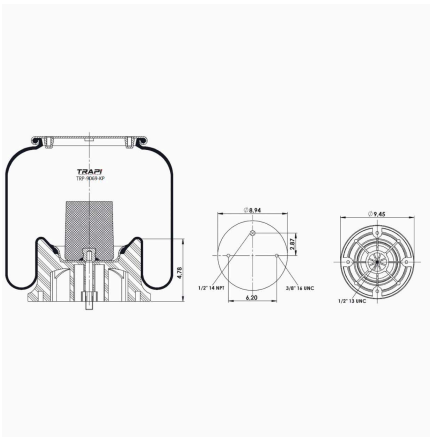
## TRP-8829-KP COMPLETE WITH PLASTIC PISTON (AMERICAN TYPE)

OEM REFERENCES		CROSS REFERENCES	
VOLVO	8079902	Firestone	W013588829
VOLVO	20396293	Goodyear	1R12-405
VOLVO	3934699	Goodyear	1S12-002
VOLVO	8097092	Goodyear	1S12-035
VOLVO	20413888	Goodyear	1R12-615
TRIANGLE	8449	Contitech	910-16P449
VOLVO	8084296		



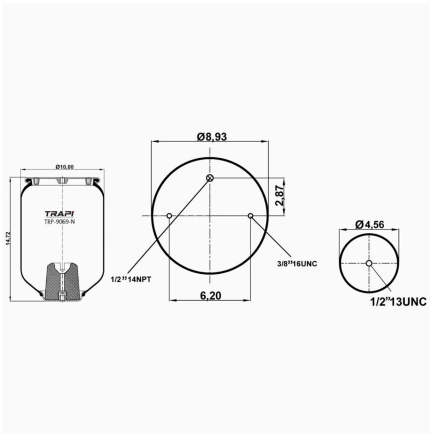
## TRP-8864-KP COMPLETE WITH PLASTIC PISTON (AMERICAN TYPE)

OEM REFERENCES		CROSS REFERENCES	
PETERBILT	03-08716	Firestone	W01-358-8864



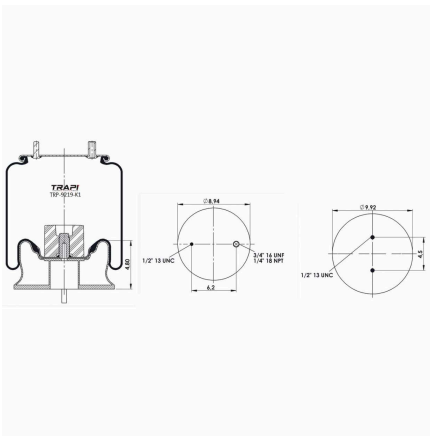
## TRP-9069-KP COMPLETE WITH PLASTIC PISTON (AMERICAN TYPE)

OEM REFERENCES		CROSS REFERENCES	
AUTOMANN PART	1DK231-9069	Firestone	W013589069
NAVISTAR	554764C1	Goodyear	1R12-069
FODEN	1300248000	Taurus	KR504-9069
EUCLID PART	E-FS9069		
DAYTON	352-9069		
WESTAR PART	87-79069		
TRIANGLE	8312		
PETERBILT	03-07112		
PETERBILT	03-02038		



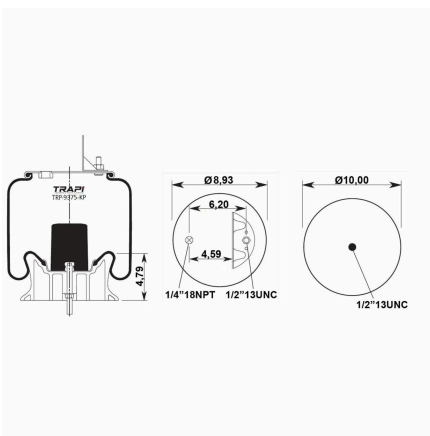
## TRP-9069-N AIR SPRING WITHOUT PISTON (AMERICAN TYPE)

OEM REFERENCES		CROSS REFERENCES	
PETERBILT	03-07112	Taurus	KR504-9069
PETERBILT	03-04759	Goodyear	1R12-069**SA
PETERBILT	03-02456	Firestone	W013589069**SA
PETERBILT	03-02038	Firestone	1T15M-4
PETERBILT	03-01649	Airtech	39069P 122342
PETERBILT	03-10042		
INTERNATIONAL/NAVISTAR	554764C1		
FODEN	1300248000		
DAYTON	352-9069		



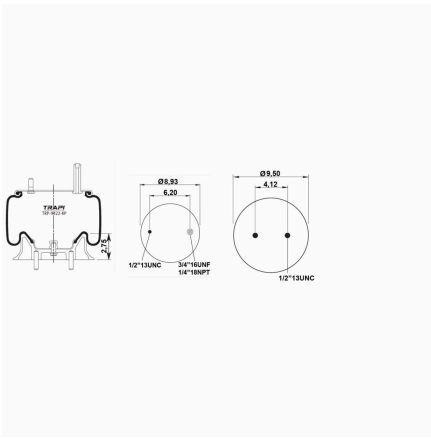
## TRP-9219-K1 COMPLETE WITH METAL PISTON (AMERICAN TYPE)

OEM REFERENCES		CROSS REFERENCES	
HENDRICKSON	49048 (Ford)	Firestone	W01-358-9466
MACK	49674-1&2 (57QL411M)		
MARMON	49207		



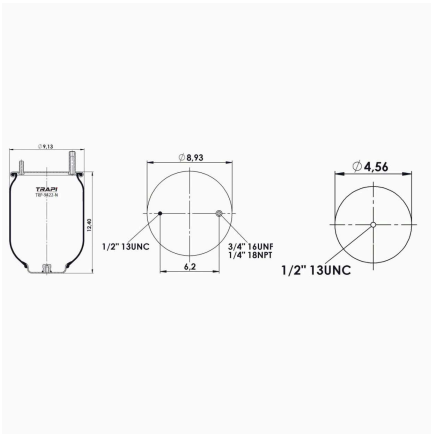
## TRP-9375-KP COMPLETE WITH PLASTIC PISTON (AMERICAN TYPE)

OEM REFERENCES		CROSS REFERENCES	
MACK	57QL414M	Firestone	W013589375
TRIANGLE	8451	Goodyear	1S12-031
HENDRICKSON	50899-1	Goodyear	1R12-404
HENDRICKSON	50899-2	Contitech	910-18.5P451



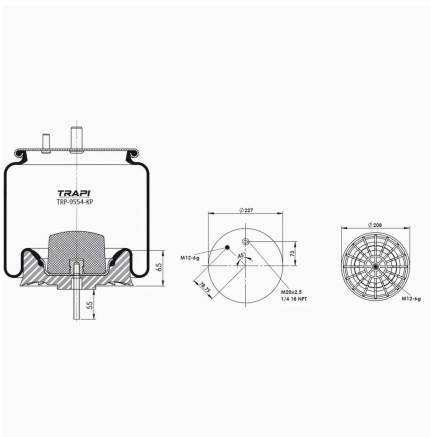
## TRP-9422-KP COMPLETE WITH PLASTIC PISTON (AMERICAN TYPE)

OEM REFERENCES		CROSS REFERENCES	
EUCLID PART	E-FS9422	Contitech	4151NP03
KENWORTH	K303-15	Firestone	W013589422
AUTOMANN PART	IDK20D-9422	Goodyear	1R11-028
KENWORTH	K303-14		
KENWORTH	K303-6		
WESTAR PART	87-79422		
TRIANGLE	8314		



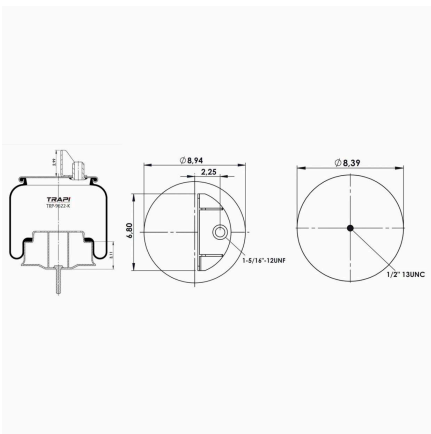
## TRP-9422-N AIR SPRING WITHOUT PISTON (AMERICAN TYPE)

OEM REFERENCES		CROSS REFERENCES	
		Firestone	W01 358 9422**SA



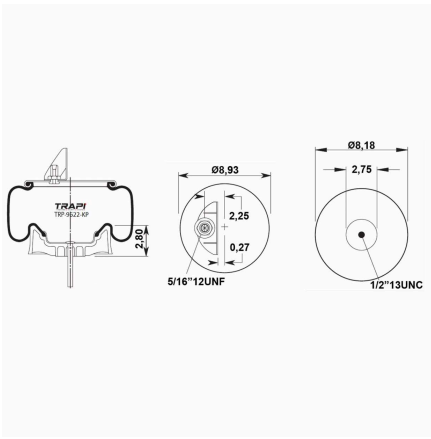
## TRP-9554-KP COMPLETE WITH PLASTIC PISTON (AMERICAN TYPE)

OEM REFERENCES		CROSS REFERENCES	
VOLVO	20462941		
HENDRICKSON	60716-2		
MACK	57QL59M		



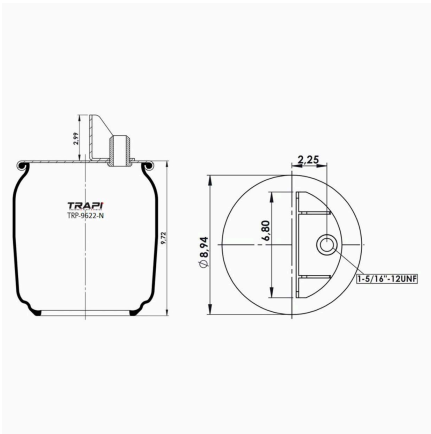
## TRP-9622-K COMPLETE WITH METAL PISTON

OEM REFERENCES		CROSS REFERENCES	
		Goodyear	1R11-221



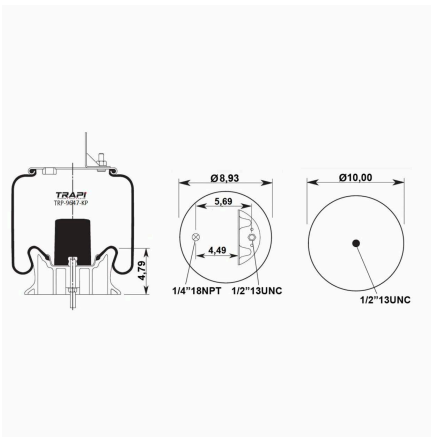
## TRP-9622-KP COMPLETE WITH PLASTIC PISTON

OEM REFERENCES		CROSS REFERENCES	
KASSBOHRER	K-303-22	Firestone	1T15LA-(-1) W01 358 9622
		Goodyear	1R11-221



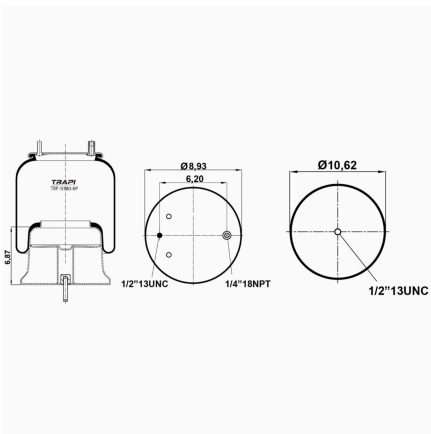
## TRP-9622-N AIR SPRING WITHOUT PISTON (AMERICAN TYPE)

OEM REFERENCES		CROSS REFERENCES	
		Goodyear	1R11-221**SA



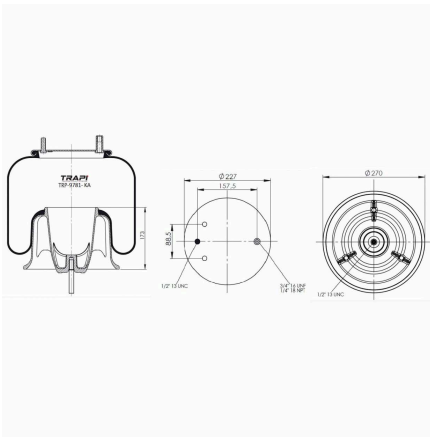
## TRP-9647-KP COMPLETE WITH PLASTIC PISTON (AMERICAN TYPE)

OEM REFERENCES		CROSS REFERENCES	
HENDRICKSON	649172	Firestone	1T15MT-8
HENDRICKSON	58786-2	Firestone	W01 358 9647
MACK	57QL417M	Airtech	39647 KPP



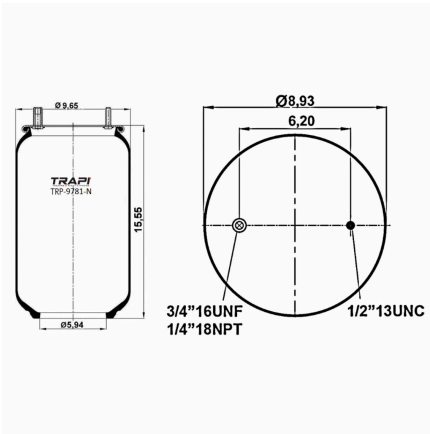
## TRP-9780-KP COMPLETE WITH PLASTIC PISTON (AMERICAN TYPE)

OEM REFERENCES		CROSS REFERENCES	
FREIGHTLINER	161673000		
FREIGHTLINER	1613810000		



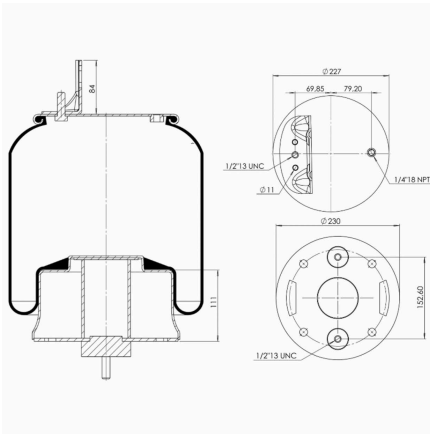
## TRP-9781-KA AIR SPRING WITH ALUMINIUM PISTON (AMERICAN TYPES)

OEM REFERENCES		CROSS REFERENCES	
FREIGHTLINER	6813200017	Firestone	1T15ZR-6
FREIGHTLINER	A1614004000	Firestone	W01 358 9781
FREIGHTLINER	1613840000	Goodyear	1R12-603
FREIGHTLINER	1616773000	Contitech	910S16A382



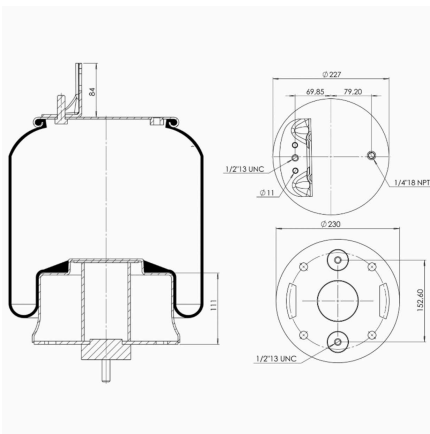
## TRP-9781-N AIR SPRING WITHOUT PISTON (AMERICAN TYPE)

OEM REFERENCES		CROSS REFERENCES	
FREIGHTLINER	6813200017	Contitech	910S16A382
FREIGHTLINER	A1614004000	Firestone	9781
FREIGHTLINER	A1614004001	Firestone	W013589781
		Goodyear	1R12603



## TRP-9865-K COMPLETE WITH METAL PISTON (AMERICAN TYPE)

OEM REFERENCES		CROSS REFERENCES	
TRIANGLE	AS-81192	Contitech	9 10BS-17 P 1192 (BK) / 75266
HENDRICKSON	67043-002	Firestone	W013589865



## TRP-9865-K COMPLETE WITH METAL PISTON (AMERICAN TYPE)

OEM REFERENCES		CROSS REFERENCES	
TRIANGLE	AS-81192	Contitech	9 10BS-17 P 1192 (BK) / 75266
HENDRICKSON	67043-002	Firestone	W013589865

# Notes



A series of horizontal dotted lines for writing notes, filling the majority of the page.



*Safe Travels...*  
*With* **TRAPI**  
TRAVERS ■ PLEYT ■ PISTON



[trapi.com.tr](https://trapi.com.tr)

