

# TRAPI

TR AVERS ■ P LEYT ■ P ISTON



Turbo Suction Hose Air Tube

Air Spring Holder Travers Air Spring

Spring Bottom Pistons Bus Stabiliz

nomo Involutes Turbo Suction Hose

Stabilizator

## General Catalog

2026

# TRAPI

TR AVERS ■ PLEYT ■ PISTON

**"Comfort"**  
is made possible  
by the correct  
combination of parts.



**MORE EVERY DAY**

# Index

**AIR SPRING LOWER PISTONS**

**AIR SPRING TOP PLATES**

**AIR SPRING HOLDER TRAVERSES**

**STABILIZER BARS**

**CHASIS CONNECTION EQUIPMENTS**

**TRANSMISSION MAST**

**AIR SUSPENSION EQUIPMENT**

**SERVICE ASSEMBLY (WITHOUT PISTON)**

**ROLL AIR SPRINGS**

**COMPLETE WITH PISTON**

**CONVOLUTED AIR SPRINGS**

**AMERICAN AIR SPRINGS**

**AIR SPRING LOWER PLASTIC PISTONS**



## HAKKIMIZDA / ABOUT US

---

Mercedes-Benz otobüs yedek parçaları ile imalat sektörüne giriş yapan firmamız, Mercedes-Benz, Setra, Neoplan, Man, Bova, Temsa, Bmc, Otokar ve Gülyüz - Cobra marka otobüslerin; piston, pleyt, travers, travers bağlantı ekipmanları, viraj denge milleri, şase bağlantı ekipmanları gibi birçok mekanik yedek parça üretimi ve Mercedes-Benz, Renault, Man, Volvo, Daf marka kamyon ve tırların; piston, pleyt gibi yedek parçalarının üretimi ile imalat yelpazesini gün geçtikçe genişletmektedir.

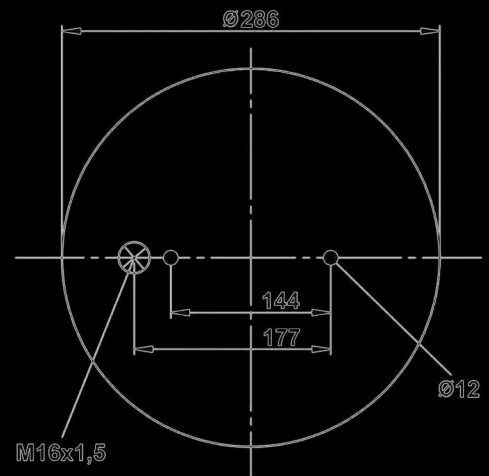
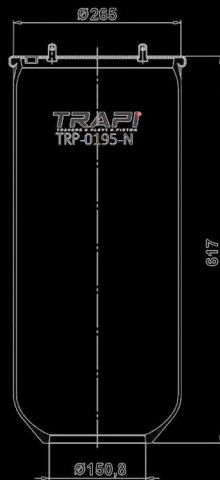
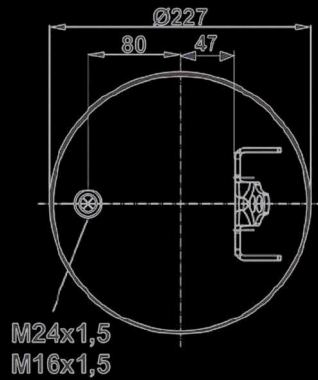
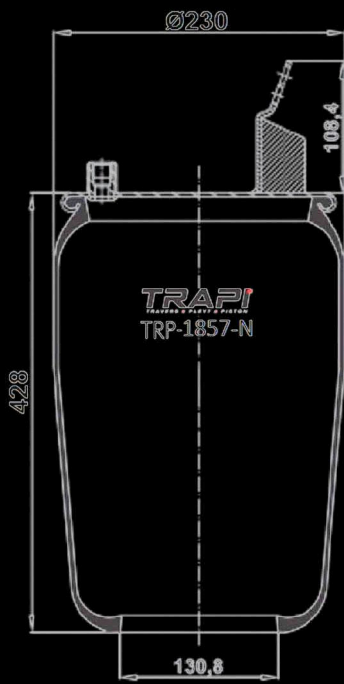
Firmamız, ürün grupları dahilindeki tüm yedek parçaları üretebilme kapasitesine sahiptir.

Our company which enters the manufacturing sector with spare parts of Mercedes-Benz bus, Mercedes-Benz, Setra, Neoplan, Man, Bova, Temsa, Bmc, Otokar and Gülyüz - Cobra brand buses; the production of many mechanical spare parts such as piston, plate, traverse, traverse connection equipments, stabiliser, chassis connection equipments and trucks of Mercedes-Benz, Renault, Man, Volvo, Daf brand; piston, and plate spare parts, and the manufacturing sector is expanding day by day.

Our company has the capacity to produce all spare parts in product groups.

# SERVICE ASSEMBLY (WITHOUT PISTON)

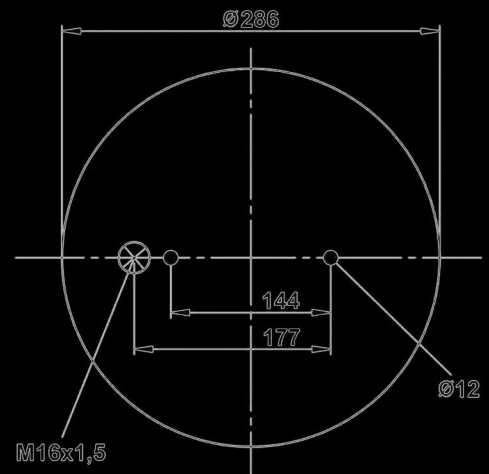
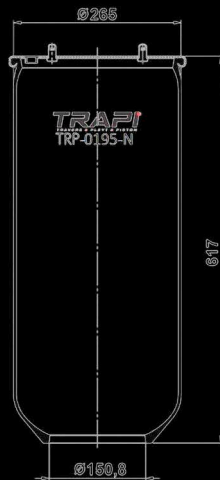
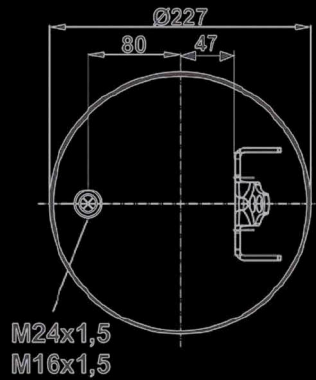
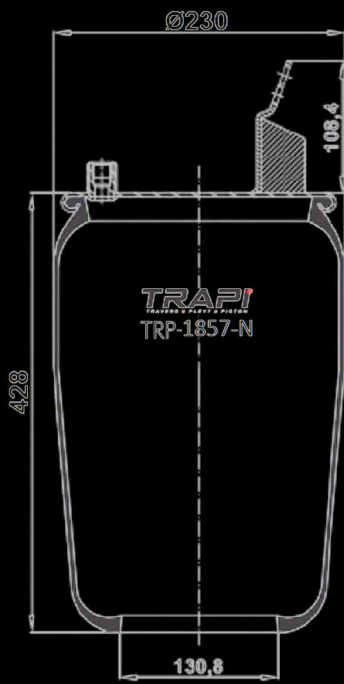
## PİSTONSUZ KÖRÜKLER

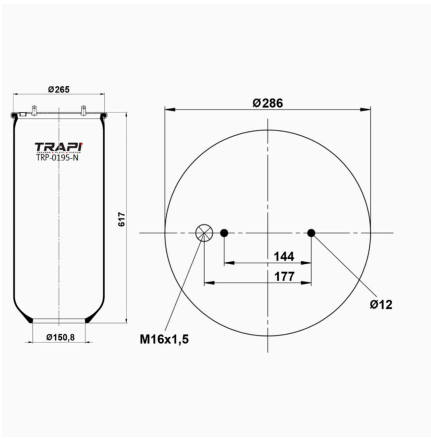




# SERVICE ASSEMBLY (WITHOUT PISTON)

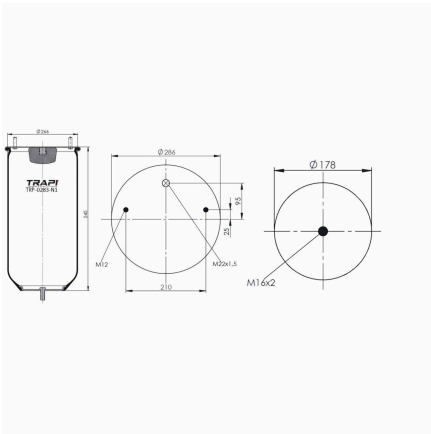
## PİSTONSUZ KÖRÜKLER





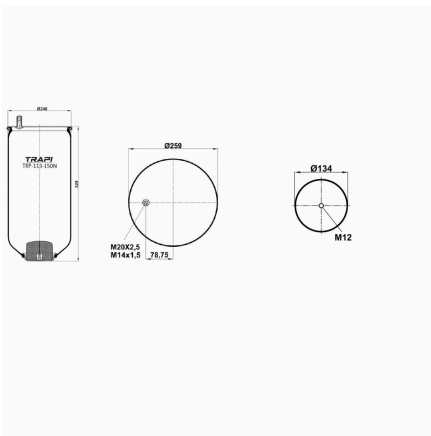
## TRP-0195-N AIR SPRING WITHOUT PISTON

| OEM REFERENCES |         | CROSS REFERENCES |              |
|----------------|---------|------------------|--------------|
| SCANIA         | 1510195 | Contitech        | 0195NP01**SA |
|                |         |                  |              |
|                |         |                  |              |
|                |         |                  |              |
|                |         |                  |              |
|                |         |                  |              |
|                |         |                  |              |
|                |         |                  |              |
|                |         |                  |              |
|                |         |                  |              |



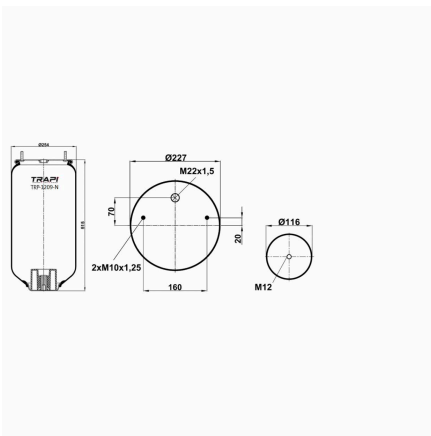
## TRP-0283-N1 AIR SPRING WITHOUT PISTON

| OEM REFERENCES |  | CROSS REFERENCES |            |
|----------------|--|------------------|------------|
|                |  | Vibracoustic     | V1 DK 28 F |
|                |  |                  |            |
|                |  |                  |            |
|                |  |                  |            |
|                |  |                  |            |
|                |  |                  |            |
|                |  |                  |            |
|                |  |                  |            |
|                |  |                  |            |
|                |  |                  |            |



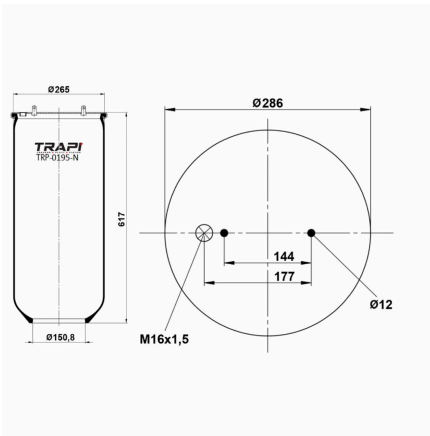
## TRP-113-150-N AIR SPRING WITHOUT PISTON

| OEM REFERENCES |  | CROSS REFERENCES |                  |
|----------------|--|------------------|------------------|
|                |  | Firestone        | W01M588747**SA   |
|                |  | Airtech          | 30081 P / 121482 |
|                |  | Goodyear         | 1R13-150**SA     |
|                |  |                  |                  |
|                |  |                  |                  |
|                |  |                  |                  |
|                |  |                  |                  |
|                |  |                  |                  |
|                |  |                  |                  |
|                |  |                  |                  |



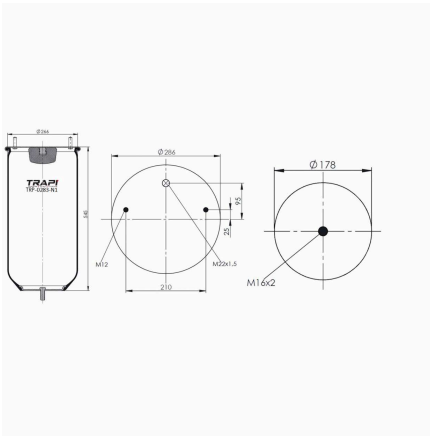
## TRP-1209-N AIR SPRING WITHOUT PISTON

| OEM REFERENCES |  | CROSS REFERENCES |                |
|----------------|--|------------------|----------------|
|                |  | Firestone        | W01M586289**SA |
|                |  |                  |                |
|                |  |                  |                |
|                |  |                  |                |
|                |  |                  |                |
|                |  |                  |                |
|                |  |                  |                |
|                |  |                  |                |
|                |  |                  |                |
|                |  |                  |                |



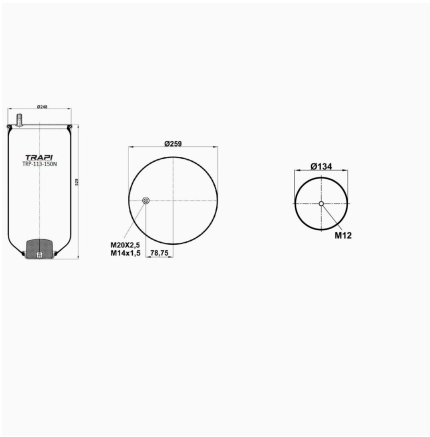
**TRP-0195-N AIR SPRING WITHOUT PISTON**

| OEM REFERENCES |         | CROSS REFERENCES |              |
|----------------|---------|------------------|--------------|
| SCANIA         | 1510195 | Contitech        | 0195NP01**SA |
|                |         |                  |              |
|                |         |                  |              |
|                |         |                  |              |
|                |         |                  |              |
|                |         |                  |              |
|                |         |                  |              |
|                |         |                  |              |
|                |         |                  |              |
|                |         |                  |              |



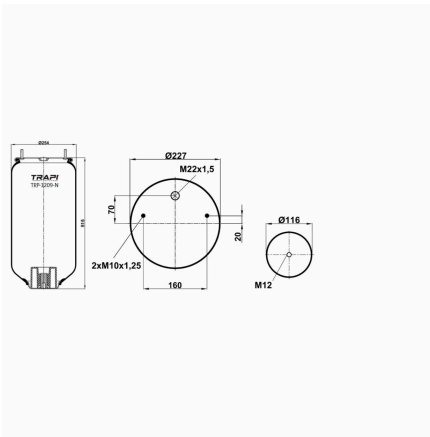
**TRP-0283-N1 AIR SPRING WITHOUT PISTON**

| OEM REFERENCES |  | CROSS REFERENCES |            |
|----------------|--|------------------|------------|
|                |  | Vibracoustic     | V1 DK 28 F |
|                |  |                  |            |
|                |  |                  |            |
|                |  |                  |            |
|                |  |                  |            |
|                |  |                  |            |
|                |  |                  |            |
|                |  |                  |            |
|                |  |                  |            |
|                |  |                  |            |



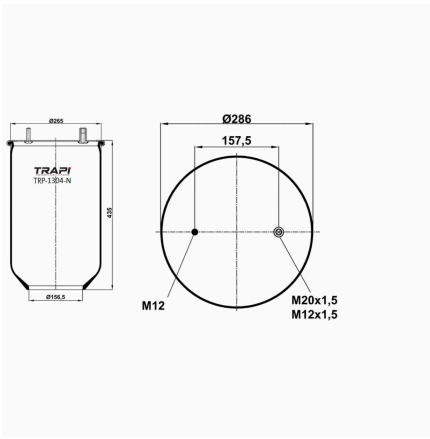
**TRP-113-150-N AIR SPRING WITHOUT PISTON**

| OEM REFERENCES |  | CROSS REFERENCES |                  |
|----------------|--|------------------|------------------|
|                |  | Firestone        | W01M588747**SA   |
|                |  | Airtech          | 30081 P / 121482 |
|                |  | Goodyear         | 1R13-150**SA     |
|                |  |                  |                  |
|                |  |                  |                  |
|                |  |                  |                  |
|                |  |                  |                  |
|                |  |                  |                  |
|                |  |                  |                  |
|                |  |                  |                  |



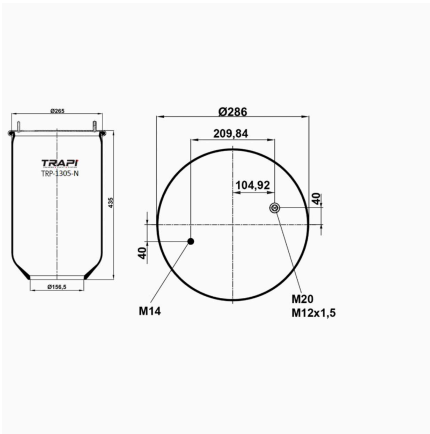
**TRP-1209-N AIR SPRING WITHOUT PISTON**

| OEM REFERENCES |  | CROSS REFERENCES |                |
|----------------|--|------------------|----------------|
|                |  | Firestone        | W01M586289**SA |
|                |  |                  |                |
|                |  |                  |                |
|                |  |                  |                |
|                |  |                  |                |
|                |  |                  |                |
|                |  |                  |                |
|                |  |                  |                |
|                |  |                  |                |
|                |  |                  |                |



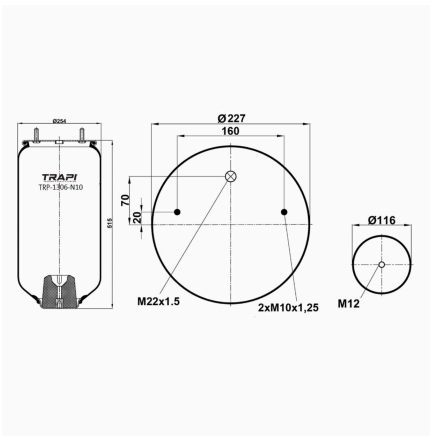
## TRP-1304-N AIR SPRING WITHOUT PISTON

| OEM REFERENCES |             | CROSS REFERENCES |                    |
|----------------|-------------|------------------|--------------------|
| FRUEHAUF       | UJB0129-001 | Airtech          | 391304K**SA 131562 |
| SMB            | M001464     | Cf Gomma         | 1T19E-3 201840     |
| ZORZI          | 1006552     | Dunlop           | D13B04             |
|                |             | Goodyear         | 1R13-732**SA       |
|                |             |                  |                    |
|                |             |                  |                    |
|                |             |                  |                    |
|                |             |                  |                    |



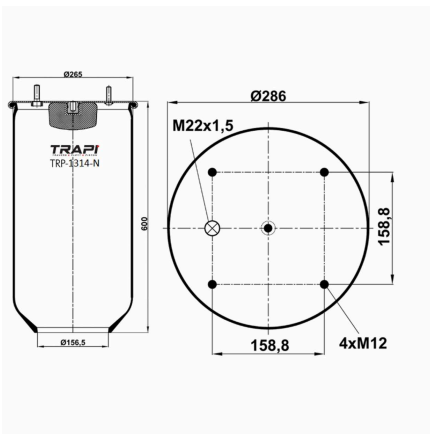
## TRP-1305-N AIR SPRING WITHOUT PISTON

| OEM REFERENCES |  | CROSS REFERENCES |                      |
|----------------|--|------------------|----------------------|
|                |  | Airtech          | 391305K**SA / 131582 |
|                |  |                  |                      |
|                |  |                  |                      |
|                |  |                  |                      |
|                |  |                  |                      |
|                |  |                  |                      |
|                |  |                  |                      |
|                |  |                  |                      |



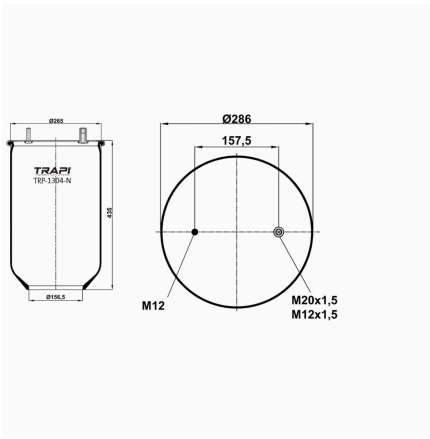
## TRP-1306-N10 AIR SPRING WITHOUT PISTON

| OEM REFERENCES |  | CROSS REFERENCES |                   |
|----------------|--|------------------|-------------------|
|                |  | Airkraft         | 391210 P / 121842 |
|                |  |                  |                   |
|                |  |                  |                   |
|                |  |                  |                   |
|                |  |                  |                   |
|                |  |                  |                   |
|                |  |                  |                   |
|                |  |                  |                   |



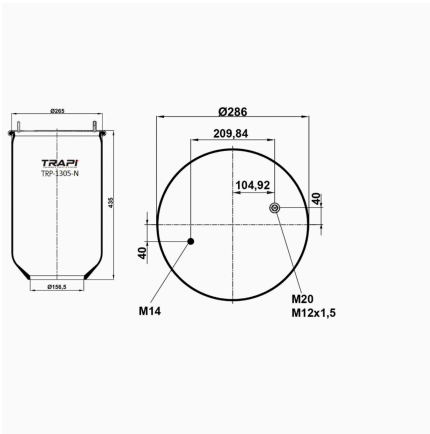
## TRP-1314-N AIR SPRING WITHOUT PISTON

| OEM REFERENCES |  | CROSS REFERENCES |                      |
|----------------|--|------------------|----------------------|
|                |  | Airtech          | 391314K**SA / 131722 |
|                |  |                  |                      |
|                |  |                  |                      |
|                |  |                  |                      |
|                |  |                  |                      |
|                |  |                  |                      |
|                |  |                  |                      |
|                |  |                  |                      |



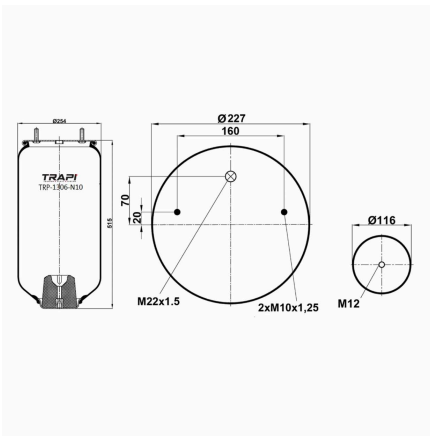
## TRP-1304-N AIR SPRING WITHOUT PISTON

| OEM REFERENCES |             | CROSS REFERENCES |                    |
|----------------|-------------|------------------|--------------------|
| FRUEHAUF       | UJB0129-001 | Airtech          | 391304K**SA 131562 |
| SMB            | M001464     | Cf Gomma         | 1T19E-3 201840     |
| ZORZI          | 1006552     | Dunlop           | D13B04             |
|                |             | Goodyear         | 1R13-732**SA       |
|                |             |                  |                    |
|                |             |                  |                    |
|                |             |                  |                    |
|                |             |                  |                    |



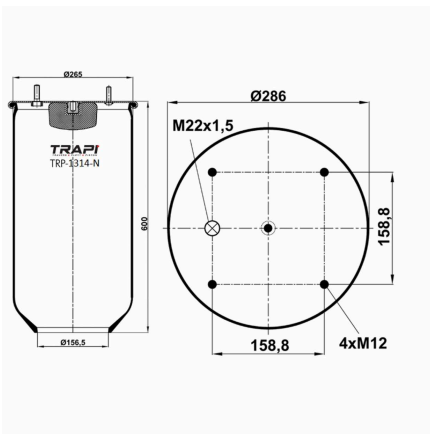
## TRP-1305-N AIR SPRING WITHOUT PISTON

| OEM REFERENCES |  | CROSS REFERENCES |                      |
|----------------|--|------------------|----------------------|
|                |  | Airtech          | 391305K**SA / 131582 |
|                |  |                  |                      |
|                |  |                  |                      |
|                |  |                  |                      |
|                |  |                  |                      |
|                |  |                  |                      |
|                |  |                  |                      |
|                |  |                  |                      |



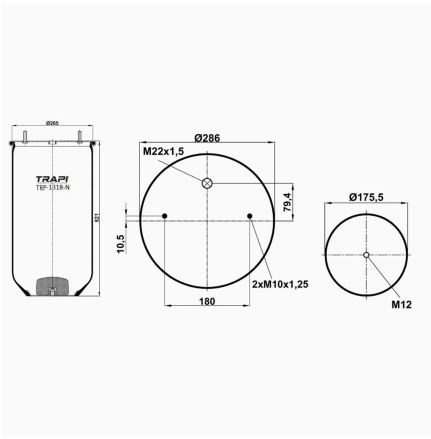
## TRP-1306-N10 AIR SPRING WITHOUT PISTON

| OEM REFERENCES |  | CROSS REFERENCES |                   |
|----------------|--|------------------|-------------------|
|                |  | Aircraft         | 391210 P / 121842 |
|                |  |                  |                   |
|                |  |                  |                   |
|                |  |                  |                   |
|                |  |                  |                   |
|                |  |                  |                   |
|                |  |                  |                   |
|                |  |                  |                   |



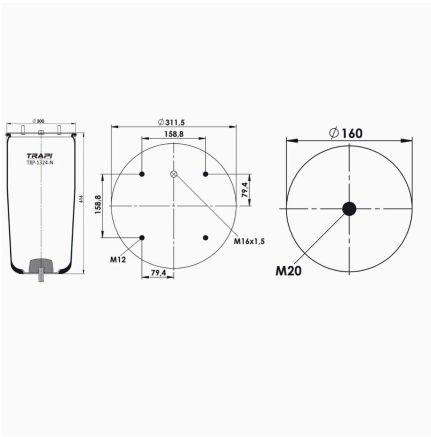
## TRP-1314-N AIR SPRING WITHOUT PISTON

| OEM REFERENCES |  | CROSS REFERENCES |                      |
|----------------|--|------------------|----------------------|
|                |  | Airtech          | 391314K**SA / 131722 |
|                |  |                  |                      |
|                |  |                  |                      |
|                |  |                  |                      |
|                |  |                  |                      |
|                |  |                  |                      |
|                |  |                  |                      |
|                |  |                  |                      |



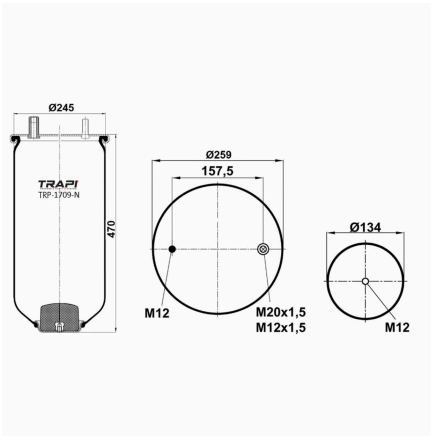
## TRP-1318-N AIR SPRING WITHOUT PISTON

| OEM REFERENCES |  | CROSS REFERENCES |             |
|----------------|--|------------------|-------------|
|                |  | Airtech          | 391318K**SA |
|                |  |                  |             |
|                |  |                  |             |
|                |  |                  |             |
|                |  |                  |             |
|                |  |                  |             |
|                |  |                  |             |
|                |  |                  |             |
|                |  |                  |             |
|                |  |                  |             |



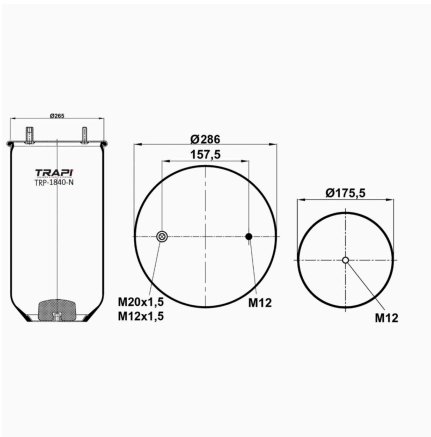
## TRP-1324-N AIR SPRING WITHOUT PISTON

| OEM REFERENCES |            | CROSS REFERENCES |              |
|----------------|------------|------------------|--------------|
| KASSBOHRER     | 4731043000 | Airtech          | 31324 P      |
|                |            | Goodyear         | 1R14-809     |
|                |            | Firestone        | W01-M58-8988 |
|                |            | Phoenix          | 1 DK 32 E-4  |
|                |            | Vibracoustic     | V1 DK 32 E-4 |
|                |            |                  |              |
|                |            |                  |              |
|                |            |                  |              |
|                |            |                  |              |
|                |            |                  |              |
|                |            |                  |              |



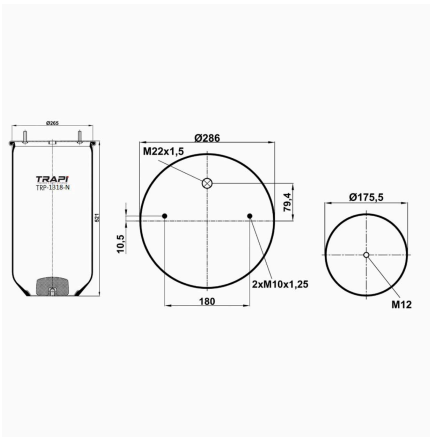
## TRP-1709-N AIR SPRING WITHOUT PISTON

| OEM REFERENCES |  | CROSS REFERENCES |          |
|----------------|--|------------------|----------|
|                |  | Goodyear         | 1R13-709 |
|                |  |                  |          |
|                |  |                  |          |
|                |  |                  |          |
|                |  |                  |          |
|                |  |                  |          |
|                |  |                  |          |
|                |  |                  |          |
|                |  |                  |          |
|                |  |                  |          |



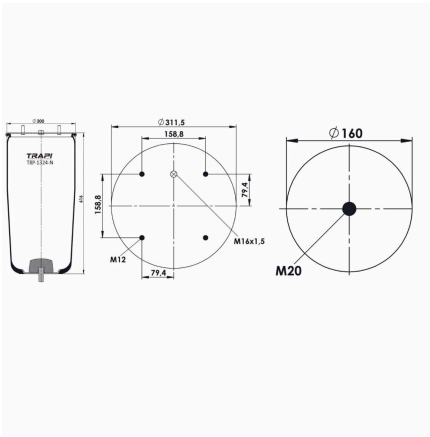
## TRP-1840-N AIR SPRING WITHOUT PISTON

| OEM REFERENCES |            | CROSS REFERENCES |                   |
|----------------|------------|------------------|-------------------|
| FRUEHAUF       | M001464    | Airtech          | 30073K**SA 133942 |
| FRUEHAUF       | UJB0129-00 | Cf Gomma         | 1T19E-3 97393     |
| ZORZI          | 1006552    | Firestone        | 1T19L-14          |
|                |            | Firestone        | W01M588762**SA    |
|                |            |                  |                   |
|                |            |                  |                   |
|                |            |                  |                   |
|                |            |                  |                   |
|                |            |                  |                   |
|                |            |                  |                   |
|                |            |                  |                   |



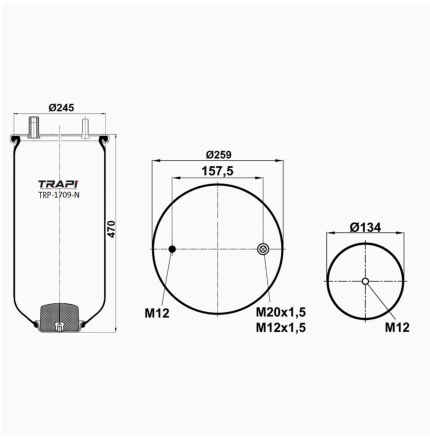
## TRP-1318-N AIR SPRING WITHOUT PISTON

| OEM REFERENCES |  | CROSS REFERENCES |             |
|----------------|--|------------------|-------------|
|                |  | Airtech          | 391318K**SA |
|                |  |                  |             |
|                |  |                  |             |
|                |  |                  |             |
|                |  |                  |             |
|                |  |                  |             |
|                |  |                  |             |
|                |  |                  |             |
|                |  |                  |             |
|                |  |                  |             |



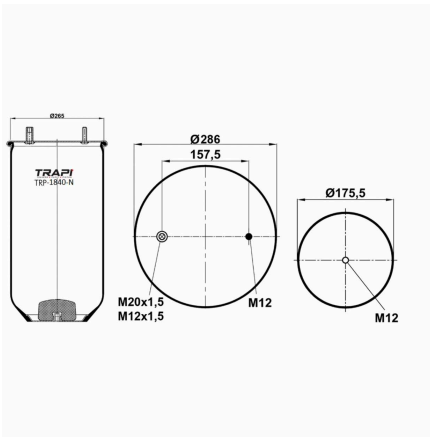
## TRP-1324-N AIR SPRING WITHOUT PISTON

| OEM REFERENCES |            | CROSS REFERENCES |              |
|----------------|------------|------------------|--------------|
| KASSBOHRER     | 4731043000 | Airtech          | 31324 P      |
|                |            | Goodyear         | 1R14-809     |
|                |            | Firestone        | W01-M58-8988 |
|                |            | Phoenix          | 1 DK 32 E-4  |
|                |            | Vibracoustic     | V1 DK 32 E-4 |
|                |            |                  |              |
|                |            |                  |              |
|                |            |                  |              |
|                |            |                  |              |
|                |            |                  |              |
|                |            |                  |              |



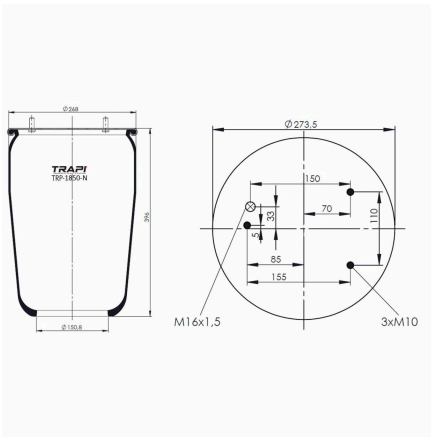
## TRP-1709-N AIR SPRING WITHOUT PISTON

| OEM REFERENCES |  | CROSS REFERENCES |          |
|----------------|--|------------------|----------|
|                |  | Goodyear         | 1R13-709 |
|                |  |                  |          |
|                |  |                  |          |
|                |  |                  |          |
|                |  |                  |          |
|                |  |                  |          |
|                |  |                  |          |
|                |  |                  |          |
|                |  |                  |          |
|                |  |                  |          |



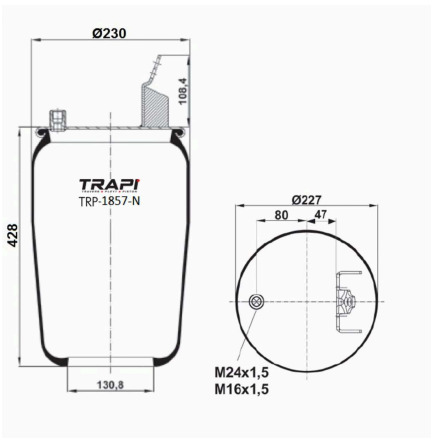
## TRP-1840-N AIR SPRING WITHOUT PISTON

| OEM REFERENCES |            | CROSS REFERENCES |                   |
|----------------|------------|------------------|-------------------|
| FRUEHAUF       | M001464    | Airtech          | 30073K**SA 133942 |
| FRUEHAUF       | UJB0129-00 | Cf Gomma         | 1T19E-3 97393     |
| ZORZI          | 1006552    | Firestone        | 1T19L-14          |
|                |            | Firestone        | W01M588762**SA    |
|                |            |                  |                   |
|                |            |                  |                   |
|                |            |                  |                   |
|                |            |                  |                   |
|                |            |                  |                   |
|                |            |                  |                   |
|                |            |                  |                   |



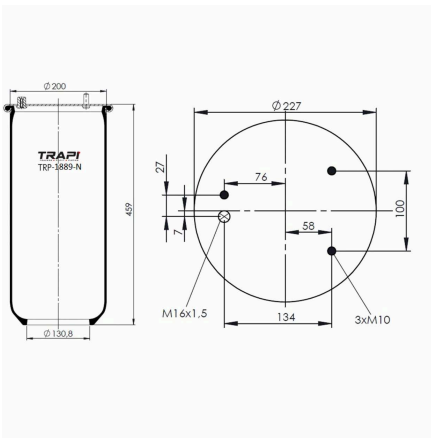
## TRP-1850-N AIR SPRING WITHOUT PISTON

| OEM REFERENCES |  | CROSS REFERENCES |              |
|----------------|--|------------------|--------------|
|                |  | Contitech        | 1850NP01**SA |
|                |  |                  |              |
|                |  |                  |              |
|                |  |                  |              |
|                |  |                  |              |
|                |  |                  |              |
|                |  |                  |              |
|                |  |                  |              |
|                |  |                  |              |
|                |  |                  |              |



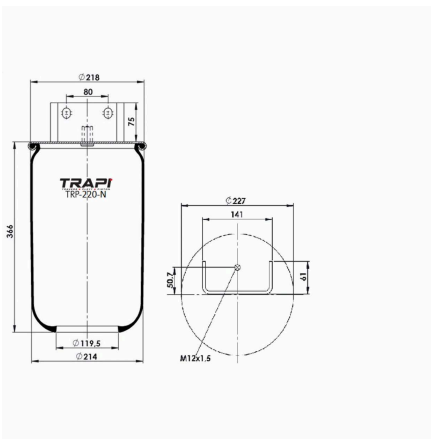
## TRP-1857-N AIR SPRING WITHOUT PISTON

| OEM REFERENCES |              | CROSS REFERENCES |              |
|----------------|--------------|------------------|--------------|
| VOLVO          | 21321521**SA | Goodyear         | 1R11-857**SA |
| VOLVO          | 20909150**SA |                  |              |
|                |              |                  |              |
|                |              |                  |              |
|                |              |                  |              |
|                |              |                  |              |
|                |              |                  |              |
|                |              |                  |              |
|                |              |                  |              |
|                |              |                  |              |
|                |              |                  |              |



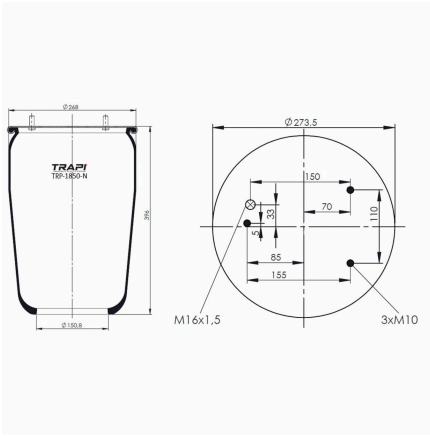
## TRP-1889-N AIR SPRING WITHOUT PISTON

| OEM REFERENCES |  | CROSS REFERENCES |              |
|----------------|--|------------------|--------------|
|                |  | Contitech        | 1889NP02**SA |
|                |  |                  |              |
|                |  |                  |              |
|                |  |                  |              |
|                |  |                  |              |
|                |  |                  |              |
|                |  |                  |              |
|                |  |                  |              |
|                |  |                  |              |
|                |  |                  |              |
|                |  |                  |              |



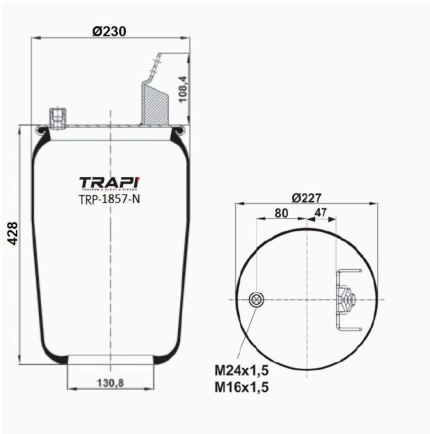
## TRP-200-N AIR SPRING WITHOUT PISTON

| OEM REFERENCES |  | CROSS REFERENCES |             |
|----------------|--|------------------|-------------|
|                |  | toyo             | TRS-220 SCN |
|                |  |                  |             |
|                |  |                  |             |
|                |  |                  |             |
|                |  |                  |             |
|                |  |                  |             |
|                |  |                  |             |
|                |  |                  |             |
|                |  |                  |             |
|                |  |                  |             |
|                |  |                  |             |



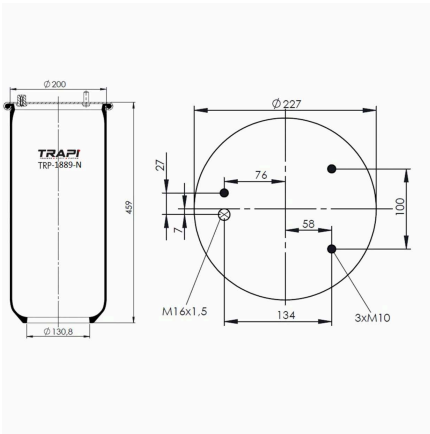
## TRP-1850-N AIR SPRING WITHOUT PISTON

| OEM REFERENCES |  | CROSS REFERENCES |              |
|----------------|--|------------------|--------------|
|                |  | Contitech        | 1850NP01**SA |
|                |  |                  |              |
|                |  |                  |              |
|                |  |                  |              |
|                |  |                  |              |
|                |  |                  |              |
|                |  |                  |              |
|                |  |                  |              |



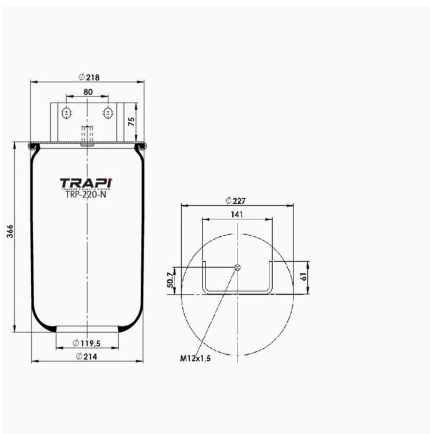
## TRP-1857-N AIR SPRING WITHOUT PISTON

| OEM REFERENCES |              | CROSS REFERENCES |              |
|----------------|--------------|------------------|--------------|
| VOLVO          | 21321521**SA | Goodyear         | 1R11-857**SA |
| VOLVO          | 20909150**SA |                  |              |
|                |              |                  |              |
|                |              |                  |              |
|                |              |                  |              |
|                |              |                  |              |
|                |              |                  |              |
|                |              |                  |              |



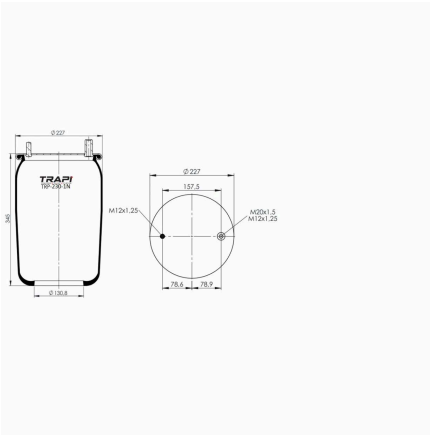
## TRP-1889-N AIR SPRING WITHOUT PISTON

| OEM REFERENCES |  | CROSS REFERENCES |              |
|----------------|--|------------------|--------------|
|                |  | Contitech        | 1889NP02**SA |
|                |  |                  |              |
|                |  |                  |              |
|                |  |                  |              |
|                |  |                  |              |
|                |  |                  |              |
|                |  |                  |              |
|                |  |                  |              |



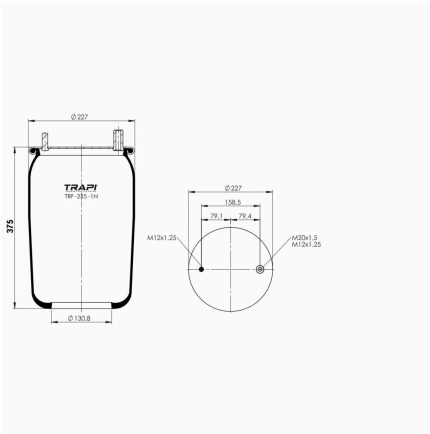
## TRP-200-N AIR SPRING WITHOUT PISTON

| OEM REFERENCES |  | CROSS REFERENCES |             |
|----------------|--|------------------|-------------|
|                |  | toyo             | TRS-220 SCN |
|                |  |                  |             |
|                |  |                  |             |
|                |  |                  |             |
|                |  |                  |             |
|                |  |                  |             |
|                |  |                  |             |
|                |  |                  |             |



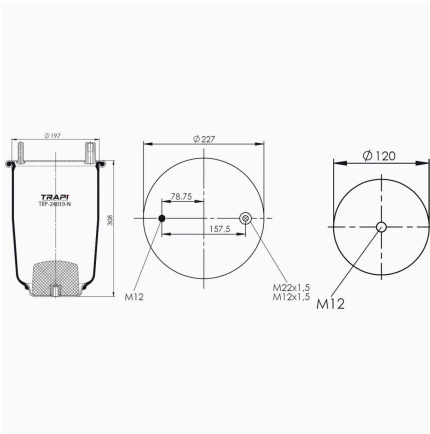
## TRP-230-N1 AIR SPRING WITHOUT PISTON

| OEM REFERENCES |  | CROSS REFERENCES |          |
|----------------|--|------------------|----------|
|                |  | toyo             | TRL 230M |
|                |  |                  |          |
|                |  |                  |          |
|                |  |                  |          |
|                |  |                  |          |
|                |  |                  |          |
|                |  |                  |          |
|                |  |                  |          |
|                |  |                  |          |
|                |  |                  |          |



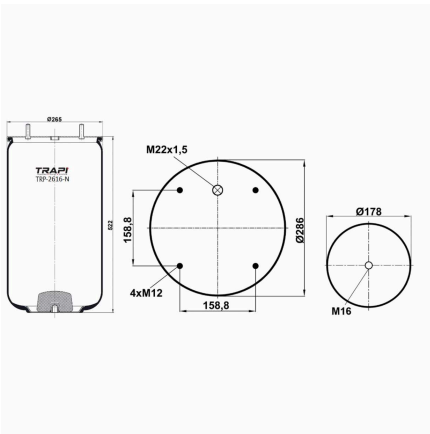
## TRP-235-N1 AIR SPRING WITHOUT PISTON

| OEM REFERENCES |  | CROSS REFERENCES |          |
|----------------|--|------------------|----------|
|                |  | toyo             | TRL 230L |
|                |  |                  |          |
|                |  |                  |          |
|                |  |                  |          |
|                |  |                  |          |
|                |  |                  |          |
|                |  |                  |          |
|                |  |                  |          |
|                |  |                  |          |
|                |  |                  |          |



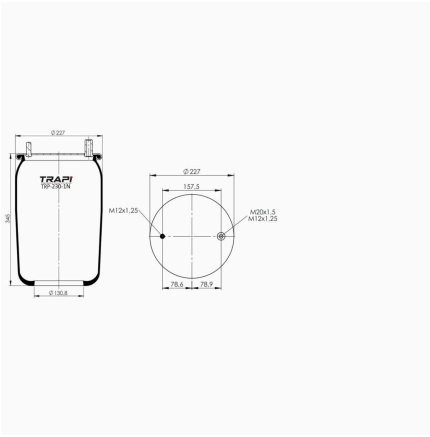
## TRP-24019-N AIR SPRING WITHOUT PISTON

| OEM REFERENCES |                          | CROSS REFERENCES |               |
|----------------|--------------------------|------------------|---------------|
| OTOKAR         | OTOKAR M 2010 MAGİRUS ÖN | Cf Gomma         | 1T240-19 **SA |
|                |                          |                  |               |
|                |                          |                  |               |
|                |                          |                  |               |
|                |                          |                  |               |
|                |                          |                  |               |
|                |                          |                  |               |
|                |                          |                  |               |
|                |                          |                  |               |
|                |                          |                  |               |



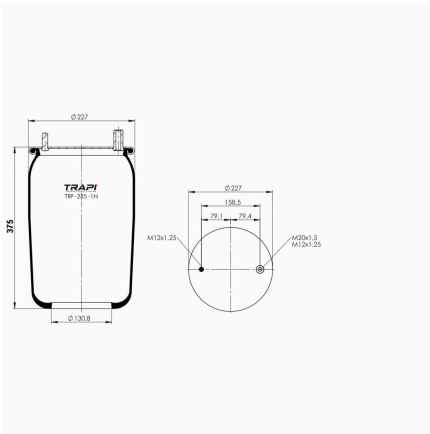
## TRP-2616-N AIR SPRING WITHOUT PISTON

| OEM REFERENCES |  | CROSS REFERENCES |          |
|----------------|--|------------------|----------|
|                |  | Airtech          | DORSE16P |
|                |  |                  |          |
|                |  |                  |          |
|                |  |                  |          |
|                |  |                  |          |
|                |  |                  |          |
|                |  |                  |          |
|                |  |                  |          |
|                |  |                  |          |
|                |  |                  |          |



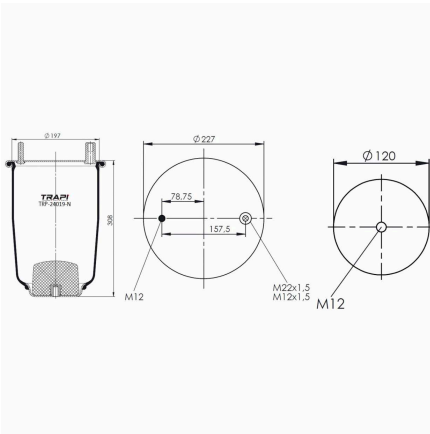
## TRP-230-N1 AIR SPRING WITHOUT PISTON

| OEM REFERENCES |  | CROSS REFERENCES |          |
|----------------|--|------------------|----------|
|                |  | toyo             | TRL 230M |
|                |  |                  |          |
|                |  |                  |          |
|                |  |                  |          |
|                |  |                  |          |
|                |  |                  |          |
|                |  |                  |          |
|                |  |                  |          |
|                |  |                  |          |
|                |  |                  |          |



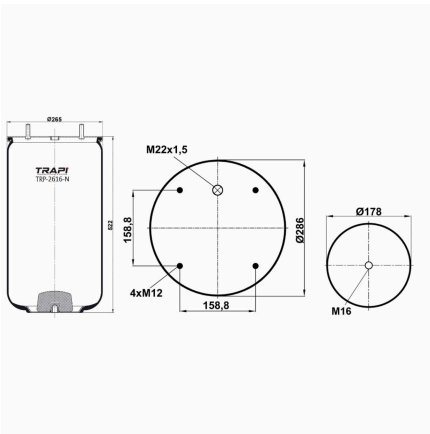
## TRP-235-N1 AIR SPRING WITHOUT PISTON

| OEM REFERENCES |  | CROSS REFERENCES |          |
|----------------|--|------------------|----------|
|                |  | toyo             | TRL 230L |
|                |  |                  |          |
|                |  |                  |          |
|                |  |                  |          |
|                |  |                  |          |
|                |  |                  |          |
|                |  |                  |          |
|                |  |                  |          |
|                |  |                  |          |
|                |  |                  |          |



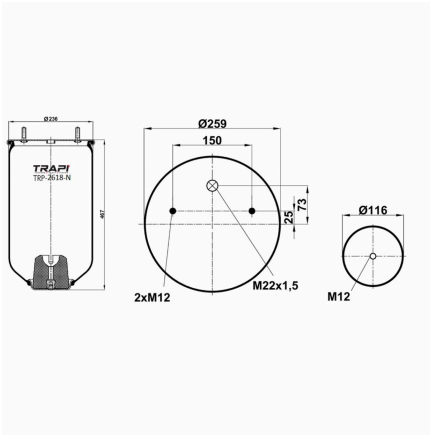
## TRP-24019-N AIR SPRING WITHOUT PISTON

| OEM REFERENCES |                          | CROSS REFERENCES |               |
|----------------|--------------------------|------------------|---------------|
| OTOKAR         | OTOKAR M 2010 MAGİRUS ÖN | Cf Gomma         | 1T240-19 **SA |
|                |                          |                  |               |
|                |                          |                  |               |
|                |                          |                  |               |
|                |                          |                  |               |
|                |                          |                  |               |
|                |                          |                  |               |
|                |                          |                  |               |
|                |                          |                  |               |
|                |                          |                  |               |



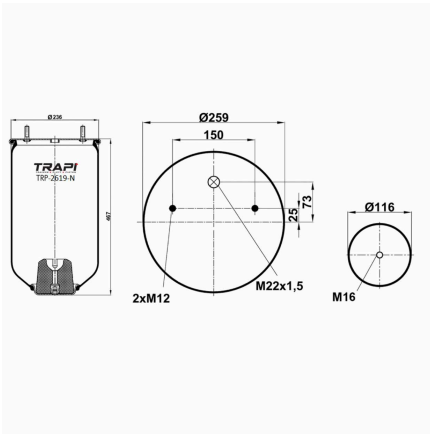
## TRP-2616-N AIR SPRING WITHOUT PISTON

| OEM REFERENCES |  | CROSS REFERENCES |          |
|----------------|--|------------------|----------|
|                |  | Airtech          | DORSE16P |
|                |  |                  |          |
|                |  |                  |          |
|                |  |                  |          |
|                |  |                  |          |
|                |  |                  |          |
|                |  |                  |          |
|                |  |                  |          |
|                |  |                  |          |
|                |  |                  |          |



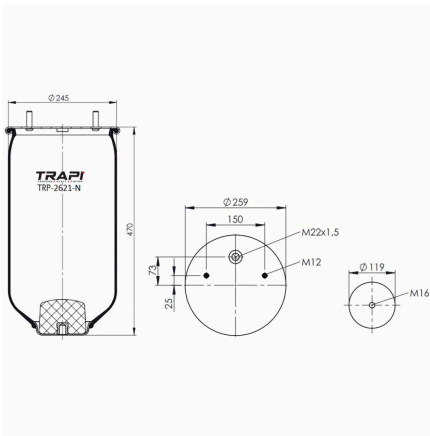
## TRP-2618-N AIR SPRING WITHOUT PISTON

| OEM REFERENCES |  | CROSS REFERENCES |                  |
|----------------|--|------------------|------------------|
|                |  | Airtech          | 32618 P / 121742 |
|                |  |                  |                  |
|                |  |                  |                  |
|                |  |                  |                  |
|                |  |                  |                  |
|                |  |                  |                  |
|                |  |                  |                  |
|                |  |                  |                  |
|                |  |                  |                  |
|                |  |                  |                  |



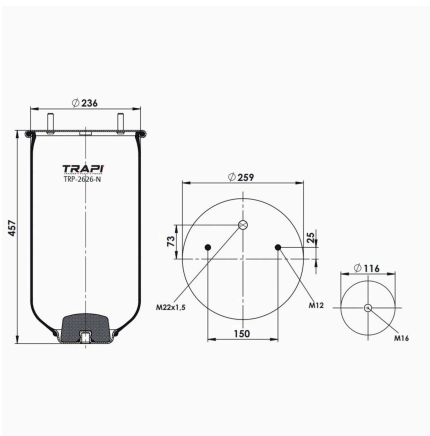
## TRP-2619-N AIR SPRING WITHOUT PISTON

| OEM REFERENCES |  | CROSS REFERENCES |                  |
|----------------|--|------------------|------------------|
|                |  | Airtech          | 32619 P / 121662 |
|                |  |                  |                  |
|                |  |                  |                  |
|                |  |                  |                  |
|                |  |                  |                  |
|                |  |                  |                  |
|                |  |                  |                  |
|                |  |                  |                  |
|                |  |                  |                  |
|                |  |                  |                  |



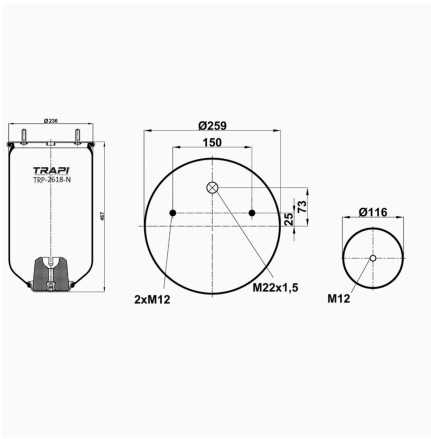
## TRP-2621-N AIR SPRING WITHOUT PISTON

| OEM REFERENCES |  | CROSS REFERENCES |                   |
|----------------|--|------------------|-------------------|
|                |  | Airtech          | AIRTECH - 32621 P |
|                |  |                  |                   |
|                |  |                  |                   |
|                |  |                  |                   |
|                |  |                  |                   |
|                |  |                  |                   |
|                |  |                  |                   |
|                |  |                  |                   |
|                |  |                  |                   |
|                |  |                  |                   |



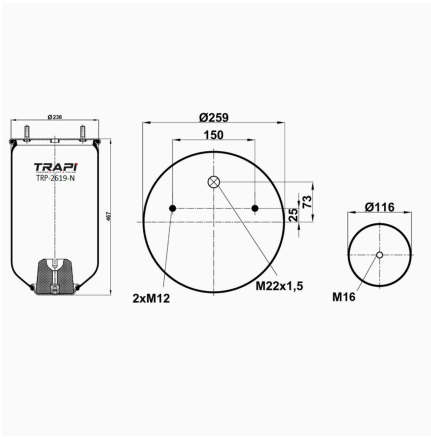
## TRP-2626-N AIR SPRING WITHOUT PISTON

| OEM REFERENCES |  | CROSS REFERENCES |                  |
|----------------|--|------------------|------------------|
| 3.229.0039.00  |  | Airtech          | 32626-P (120432) |
| 2626V          |  |                  |                  |
|                |  |                  |                  |
|                |  |                  |                  |
|                |  |                  |                  |
|                |  |                  |                  |
|                |  |                  |                  |
|                |  |                  |                  |
|                |  |                  |                  |
|                |  |                  |                  |
|                |  |                  |                  |



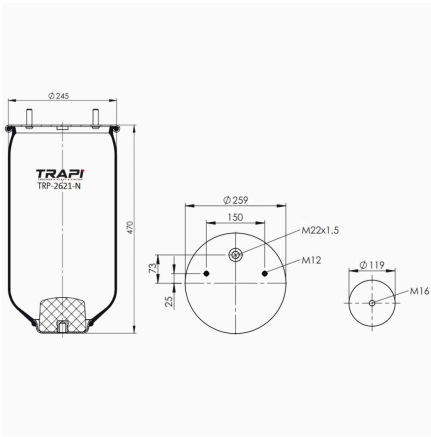
## TRP-2618-N AIR SPRING WITHOUT PISTON

| OEM REFERENCES |  | CROSS REFERENCES |                  |
|----------------|--|------------------|------------------|
|                |  | Airtech          | 32618 P / 121742 |
|                |  |                  |                  |
|                |  |                  |                  |
|                |  |                  |                  |
|                |  |                  |                  |
|                |  |                  |                  |
|                |  |                  |                  |
|                |  |                  |                  |
|                |  |                  |                  |
|                |  |                  |                  |



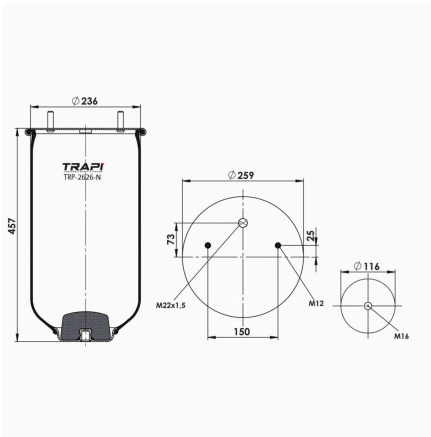
## TRP-2619-N AIR SPRING WITHOUT PISTON

| OEM REFERENCES |  | CROSS REFERENCES |                  |
|----------------|--|------------------|------------------|
|                |  | Airtech          | 32619 P / 121662 |
|                |  |                  |                  |
|                |  |                  |                  |
|                |  |                  |                  |
|                |  |                  |                  |
|                |  |                  |                  |
|                |  |                  |                  |
|                |  |                  |                  |
|                |  |                  |                  |
|                |  |                  |                  |



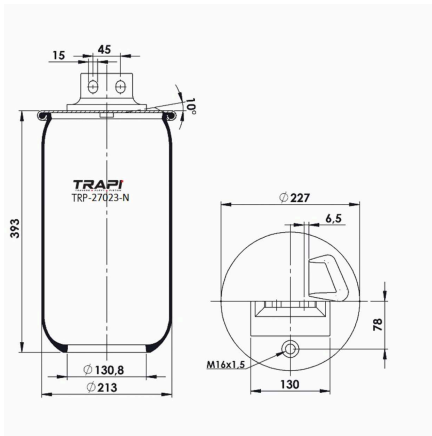
## TRP-2621-N AIR SPRING WITHOUT PISTON

| OEM REFERENCES |  | CROSS REFERENCES |                   |
|----------------|--|------------------|-------------------|
|                |  | Airtech          | AIRTECH - 32621 P |
|                |  |                  |                   |
|                |  |                  |                   |
|                |  |                  |                   |
|                |  |                  |                   |
|                |  |                  |                   |
|                |  |                  |                   |
|                |  |                  |                   |
|                |  |                  |                   |
|                |  |                  |                   |



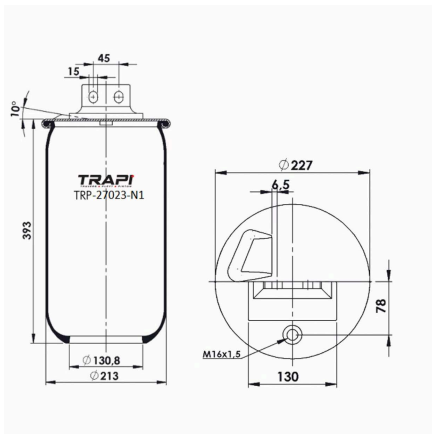
## TRP-2626-N AIR SPRING WITHOUT PISTON

| OEM REFERENCES |  | CROSS REFERENCES |                  |
|----------------|--|------------------|------------------|
| 3.229.0039.00  |  | Airtech          | 32626-P (120432) |
| 2626V          |  |                  |                  |
|                |  |                  |                  |
|                |  |                  |                  |
|                |  |                  |                  |
|                |  |                  |                  |
|                |  |                  |                  |
|                |  |                  |                  |
|                |  |                  |                  |
|                |  |                  |                  |



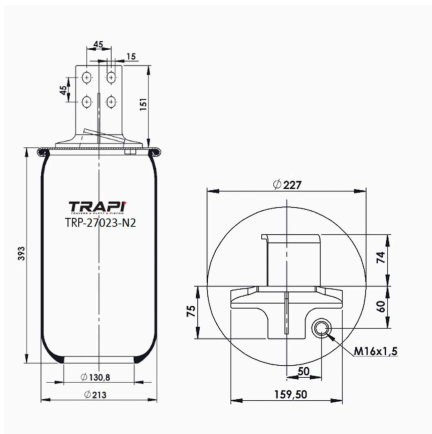
## TRP-27023-N AIR SPRING WITHOUT PISTON

| OEM REFERENCES |                        | CROSS REFERENCES |                    |
|----------------|------------------------|------------------|--------------------|
| IVECO STRALIS  | 42559765 (FRONT-RIGHT) | Cf Gomma         | 207172 ITS 270-23C |
|                |                        |                  |                    |
|                |                        |                  |                    |
|                |                        |                  |                    |
|                |                        |                  |                    |
|                |                        |                  |                    |



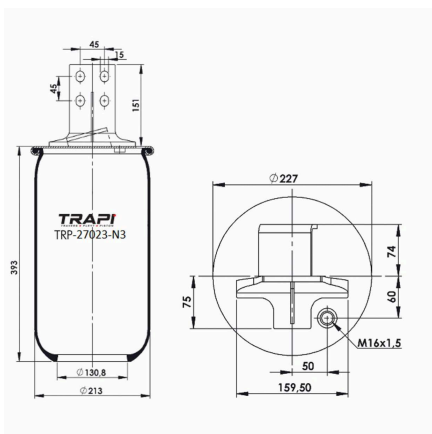
## TRP-27023-N1 AIR SPRING WITHOUT PISTON

| OEM REFERENCES |                       | CROSS REFERENCES |                    |
|----------------|-----------------------|------------------|--------------------|
| IVECO STRALIS  | 42559766 (FRONT-LEFT) | Cf Gomma         | 207173 ITS 270-23C |
|                |                       |                  |                    |
|                |                       |                  |                    |
|                |                       |                  |                    |
|                |                       |                  |                    |
|                |                       |                  |                    |



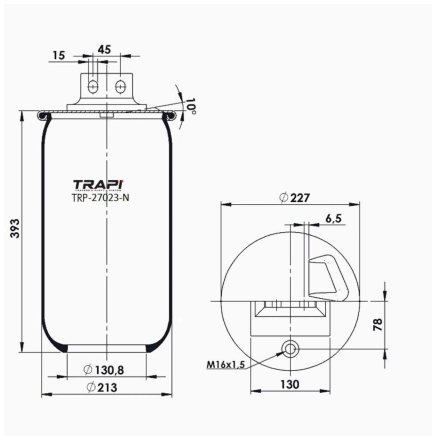
## TRP-27023-N2 AIR SPRING WITHOUT PISTON

| OEM REFERENCES |                      | CROSS REFERENCES |                    |
|----------------|----------------------|------------------|--------------------|
| IVECO STRALIS  | 42559767 (REAR-LEFT) | Cf Gomma         | 207170 ITS 270-23C |
|                |                      |                  |                    |
|                |                      |                  |                    |
|                |                      |                  |                    |
|                |                      |                  |                    |
|                |                      |                  |                    |



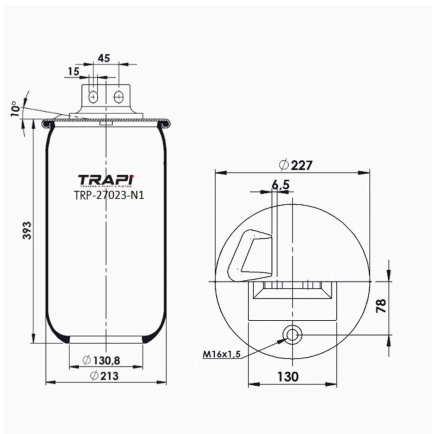
## TRP-27023-N3 AIR SPRING WITHOUT PISTON

| OEM REFERENCES |                       | CROSS REFERENCES |                    |
|----------------|-----------------------|------------------|--------------------|
| IVECO STRALIS  | 42559768 (REAR-RIGHT) | Cf Gomma         | 207171 ITS 270-23C |
|                |                       |                  |                    |
|                |                       |                  |                    |
|                |                       |                  |                    |
|                |                       |                  |                    |
|                |                       |                  |                    |



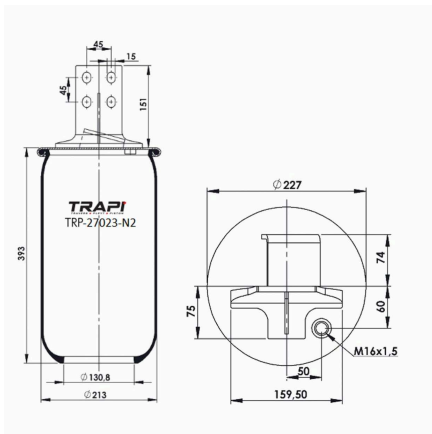
## TRP-27023-N AIR SPRING WITHOUT PISTON

| OEM REFERENCES |                        | CROSS REFERENCES |                    |
|----------------|------------------------|------------------|--------------------|
| IVECO STRALIS  | 42559765 (FRONT-RIGHT) | Cf Gomma         | 207172 ITS 270-23C |
|                |                        |                  |                    |
|                |                        |                  |                    |
|                |                        |                  |                    |
|                |                        |                  |                    |
|                |                        |                  |                    |
|                |                        |                  |                    |
|                |                        |                  |                    |
|                |                        |                  |                    |
|                |                        |                  |                    |



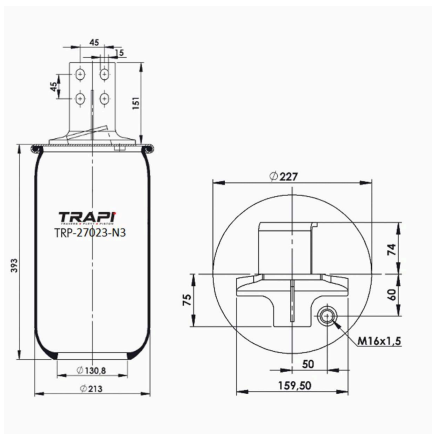
## TRP-27023-N1 AIR SPRING WITHOUT PISTON

| OEM REFERENCES |                       | CROSS REFERENCES |                    |
|----------------|-----------------------|------------------|--------------------|
| IVECO STRALIS  | 42559766 (FRONT-LEFT) | Cf Gomma         | 207173 ITS 270-23C |
|                |                       |                  |                    |
|                |                       |                  |                    |
|                |                       |                  |                    |
|                |                       |                  |                    |
|                |                       |                  |                    |
|                |                       |                  |                    |
|                |                       |                  |                    |
|                |                       |                  |                    |
|                |                       |                  |                    |



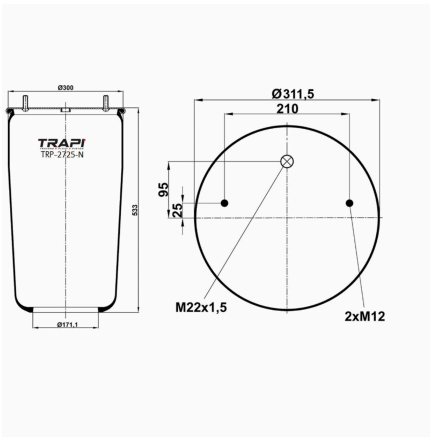
## TRP-27023-N2 AIR SPRING WITHOUT PISTON

| OEM REFERENCES |                      | CROSS REFERENCES |                    |
|----------------|----------------------|------------------|--------------------|
| IVECO STRALIS  | 42559767 (REAR-LEFT) | Cf Gomma         | 207170 ITS 270-23C |
|                |                      |                  |                    |
|                |                      |                  |                    |
|                |                      |                  |                    |
|                |                      |                  |                    |
|                |                      |                  |                    |
|                |                      |                  |                    |
|                |                      |                  |                    |
|                |                      |                  |                    |
|                |                      |                  |                    |



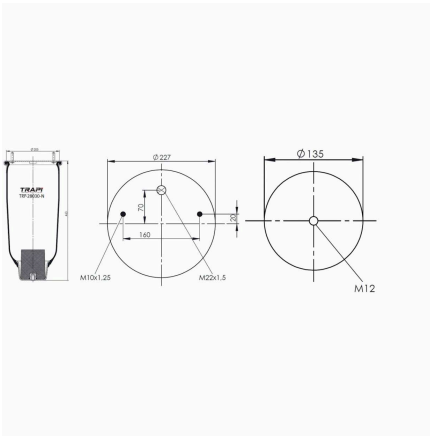
## TRP-27023-N3 AIR SPRING WITHOUT PISTON

| OEM REFERENCES |                       | CROSS REFERENCES |                    |
|----------------|-----------------------|------------------|--------------------|
| IVECO STRALIS  | 42559768 (REAR-RIGHT) | Cf Gomma         | 207171 ITS 270-23C |
|                |                       |                  |                    |
|                |                       |                  |                    |
|                |                       |                  |                    |
|                |                       |                  |                    |
|                |                       |                  |                    |
|                |                       |                  |                    |
|                |                       |                  |                    |
|                |                       |                  |                    |
|                |                       |                  |                    |



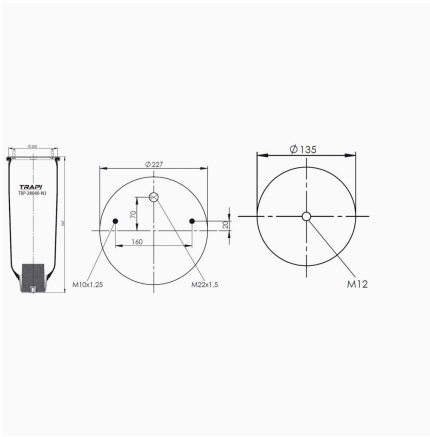
**TRP-2725-N AIR SPRING WITHOUT PISTON**

| OEM REFERENCES |  | CROSS REFERENCES |               |
|----------------|--|------------------|---------------|
|                |  | Airtech          | 32725P 120281 |
|                |  |                  |               |
|                |  |                  |               |
|                |  |                  |               |
|                |  |                  |               |
|                |  |                  |               |
|                |  |                  |               |
|                |  |                  |               |
|                |  |                  |               |
|                |  |                  |               |



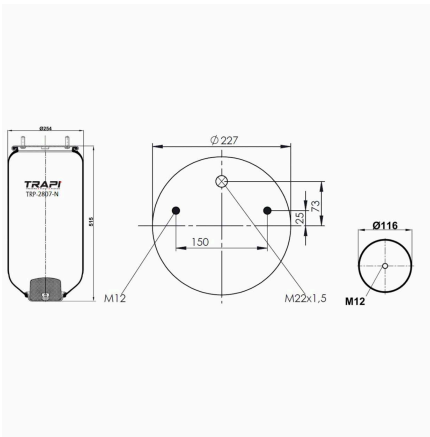
**TRP-28030-N AIR SPRING WITHOUT PISTON**

| OEM REFERENCES |  | CROSS REFERENCES |                |
|----------------|--|------------------|----------------|
|                |  | Cf Gomma         | 1 T 280-30**SA |
|                |  |                  |                |
|                |  |                  |                |
|                |  |                  |                |
|                |  |                  |                |
|                |  |                  |                |
|                |  |                  |                |
|                |  |                  |                |
|                |  |                  |                |
|                |  |                  |                |
|                |  |                  |                |



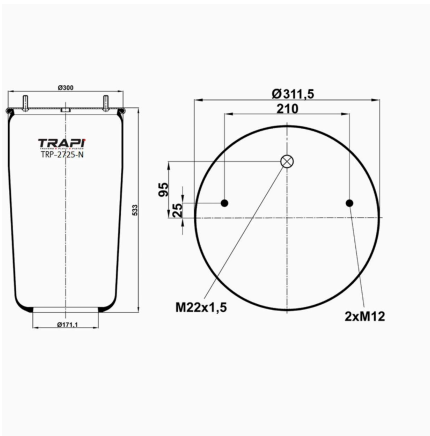
**TRP-28040-N1 AIR SPRING WITHOUT PISTON**

| OEM REFERENCES |  | CROSS REFERENCES |                |
|----------------|--|------------------|----------------|
|                |  | Cf Gomma         | 1 T 280-40**SA |
|                |  |                  |                |
|                |  |                  |                |
|                |  |                  |                |
|                |  |                  |                |
|                |  |                  |                |
|                |  |                  |                |
|                |  |                  |                |
|                |  |                  |                |
|                |  |                  |                |
|                |  |                  |                |



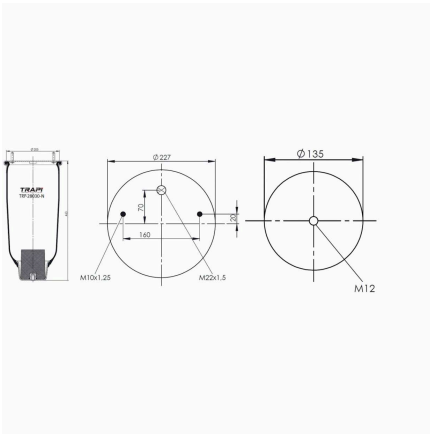
**TRP-2807-N AIR SPRING WITHOUT PISTON**

| OEM REFERENCES |  | CROSS REFERENCES |              |
|----------------|--|------------------|--------------|
|                |  | Goodyear         | 1R12-807**SA |
|                |  |                  |              |
|                |  |                  |              |
|                |  |                  |              |
|                |  |                  |              |
|                |  |                  |              |
|                |  |                  |              |
|                |  |                  |              |
|                |  |                  |              |
|                |  |                  |              |
|                |  |                  |              |



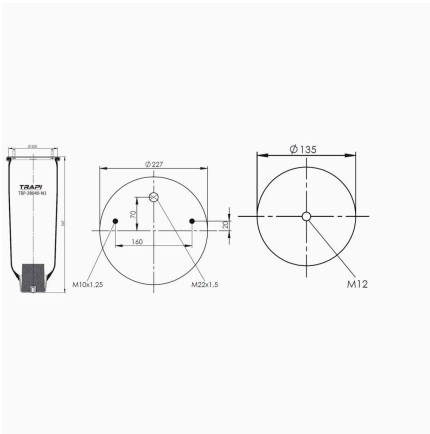
## TRP-2725-N AIR SPRING WITHOUT PISTON

| OEM REFERENCES |  | CROSS REFERENCES |               |
|----------------|--|------------------|---------------|
|                |  | Airtech          | 32725P 120281 |
|                |  |                  |               |
|                |  |                  |               |
|                |  |                  |               |
|                |  |                  |               |
|                |  |                  |               |
|                |  |                  |               |
|                |  |                  |               |
|                |  |                  |               |
|                |  |                  |               |



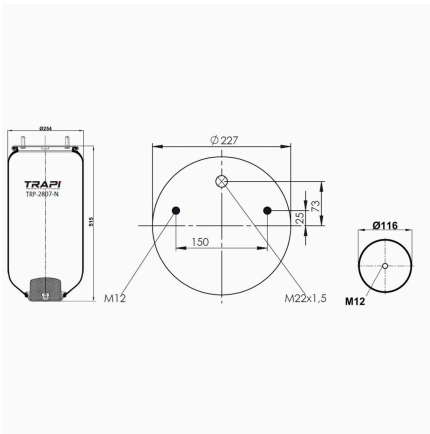
## TRP-28030-N AIR SPRING WITHOUT PISTON

| OEM REFERENCES |  | CROSS REFERENCES |                |
|----------------|--|------------------|----------------|
|                |  | Cf Gomma         | 1 T 280-30**SA |
|                |  |                  |                |
|                |  |                  |                |
|                |  |                  |                |
|                |  |                  |                |
|                |  |                  |                |
|                |  |                  |                |
|                |  |                  |                |
|                |  |                  |                |
|                |  |                  |                |
|                |  |                  |                |



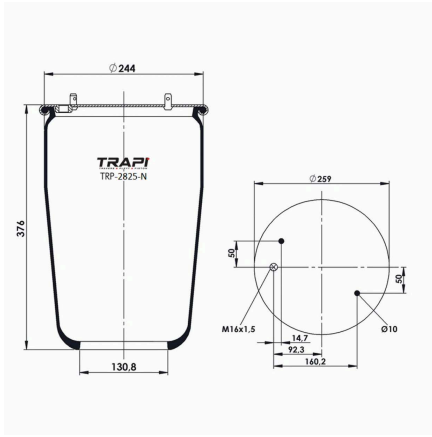
## TRP-28040-N1 AIR SPRING WITHOUT PISTON

| OEM REFERENCES |  | CROSS REFERENCES |                |
|----------------|--|------------------|----------------|
|                |  | Cf Gomma         | 1 T 280-40**SA |
|                |  |                  |                |
|                |  |                  |                |
|                |  |                  |                |
|                |  |                  |                |
|                |  |                  |                |
|                |  |                  |                |
|                |  |                  |                |
|                |  |                  |                |
|                |  |                  |                |
|                |  |                  |                |



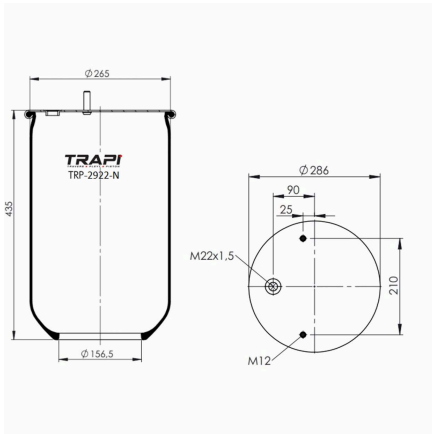
## TRP-2807-N AIR SPRING WITHOUT PISTON

| OEM REFERENCES |  | CROSS REFERENCES |              |
|----------------|--|------------------|--------------|
|                |  | Goodyear         | 1R12-807**SA |
|                |  |                  |              |
|                |  |                  |              |
|                |  |                  |              |
|                |  |                  |              |
|                |  |                  |              |
|                |  |                  |              |
|                |  |                  |              |
|                |  |                  |              |
|                |  |                  |              |
|                |  |                  |              |



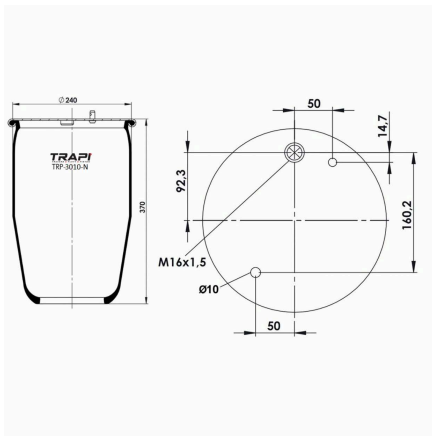
## TRP-2825-N AIR SPRING WITHOUT PISTON

| OEM REFERENCES |  | CROSS REFERENCES |              |
|----------------|--|------------------|--------------|
|                |  | Goodyear         | 1R12-825**SA |
|                |  |                  |              |
|                |  |                  |              |
|                |  |                  |              |
|                |  |                  |              |
|                |  |                  |              |
|                |  |                  |              |



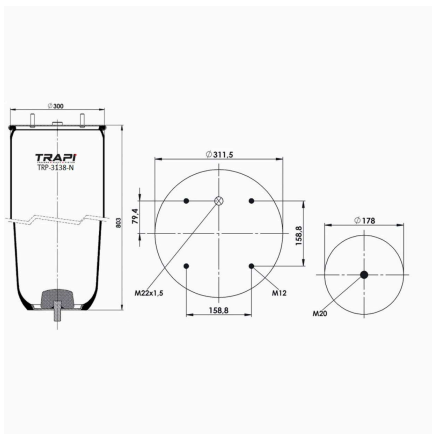
## TRP-2922-N AIR SPRING WITHOUT PISTON

| OEM REFERENCES |  | CROSS REFERENCES |                  |
|----------------|--|------------------|------------------|
|                |  | Airtech          | 32922 P / 120312 |
|                |  |                  |                  |
|                |  |                  |                  |
|                |  |                  |                  |
|                |  |                  |                  |
|                |  |                  |                  |
|                |  |                  |                  |



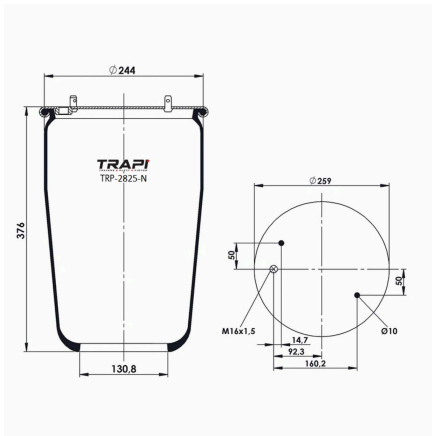
## TRP-3010-N AIR SPRING WITHOUT PISTON

| OEM REFERENCES |          | CROSS REFERENCES |          |
|----------------|----------|------------------|----------|
| VOLVO          | 21044268 | Goodyear         | 1R12-826 |
| VOLVO          | 21013010 | Airtech          | 30010 P  |
| VOLVO          | 21513836 |                  |          |
| VOLVO          | 21057939 |                  |          |
| VOLVO          | 20703452 |                  |          |
|                |          |                  |          |
|                |          |                  |          |
|                |          |                  |          |



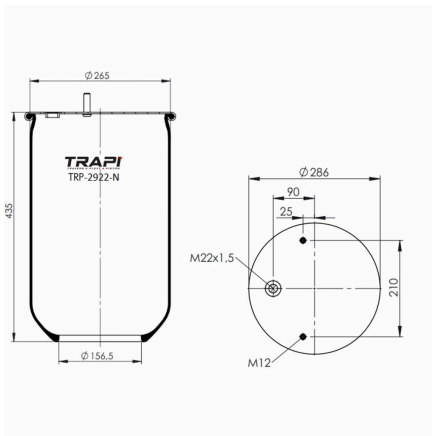
## TRP-3138-N AIR SPRING WITHOUT PISTON

| OEM REFERENCES |               | CROSS REFERENCES |             |
|----------------|---------------|------------------|-------------|
| SAF HOLLAND    | 4.284.3004.00 | Contitech        | 3138 N P01  |
|                |               | Vibracoustic     | VIDK33-3138 |
|                |               |                  |             |
|                |               |                  |             |
|                |               |                  |             |
|                |               |                  |             |
|                |               |                  |             |



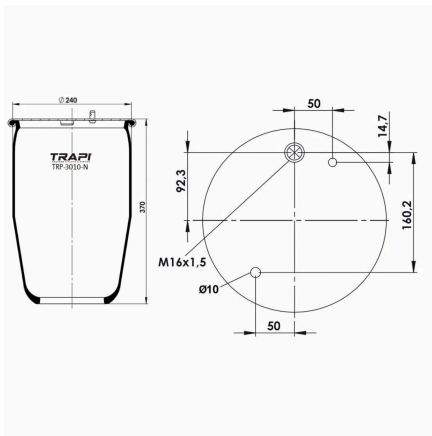
## TRP-2825-N AIR SPRING WITHOUT PISTON

| OEM REFERENCES |  | CROSS REFERENCES |              |
|----------------|--|------------------|--------------|
|                |  | Goodyear         | 1R12-825**SA |
|                |  |                  |              |
|                |  |                  |              |
|                |  |                  |              |
|                |  |                  |              |
|                |  |                  |              |
|                |  |                  |              |
|                |  |                  |              |
|                |  |                  |              |
|                |  |                  |              |



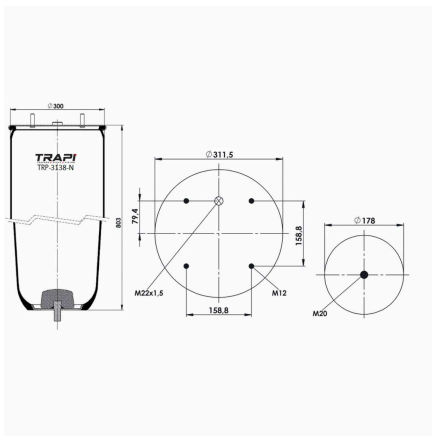
## TRP-2922-N AIR SPRING WITHOUT PISTON

| OEM REFERENCES |  | CROSS REFERENCES |                  |
|----------------|--|------------------|------------------|
|                |  | Airtech          | 32922 P / 120312 |
|                |  |                  |                  |
|                |  |                  |                  |
|                |  |                  |                  |
|                |  |                  |                  |
|                |  |                  |                  |
|                |  |                  |                  |
|                |  |                  |                  |
|                |  |                  |                  |
|                |  |                  |                  |



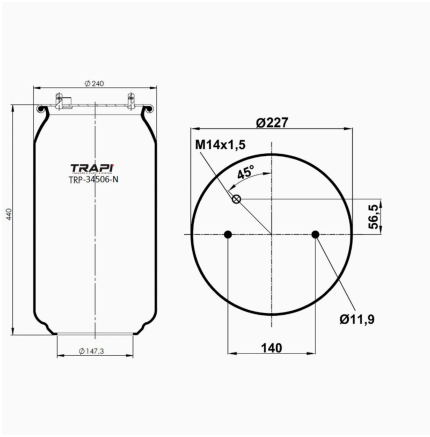
## TRP-3010-N AIR SPRING WITHOUT PISTON

| OEM REFERENCES |          | CROSS REFERENCES |          |
|----------------|----------|------------------|----------|
| VOLVO          | 21044268 | Goodyear         | 1R12-826 |
| VOLVO          | 21013010 | Airtech          | 30010 P  |
| VOLVO          | 21513836 |                  |          |
| VOLVO          | 21057939 |                  |          |
| VOLVO          | 20703452 |                  |          |
|                |          |                  |          |
|                |          |                  |          |
|                |          |                  |          |
|                |          |                  |          |
|                |          |                  |          |



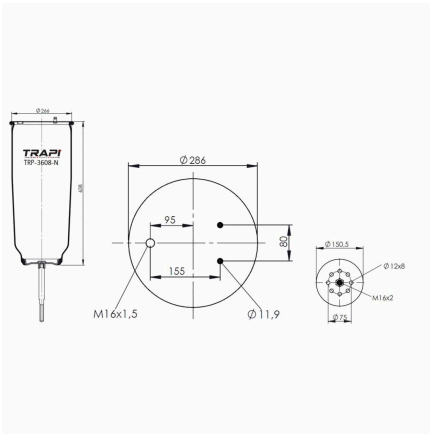
## TRP-3138-N AIR SPRING WITHOUT PISTON

| OEM REFERENCES |               | CROSS REFERENCES |             |
|----------------|---------------|------------------|-------------|
| SAF HOLLAND    | 4.284.3004.00 | Contitech        | 3138 N P01  |
|                |               | Vibracoustic     | VIDK33-3138 |
|                |               |                  |             |
|                |               |                  |             |
|                |               |                  |             |
|                |               |                  |             |
|                |               |                  |             |
|                |               |                  |             |
|                |               |                  |             |
|                |               |                  |             |
|                |               |                  |             |



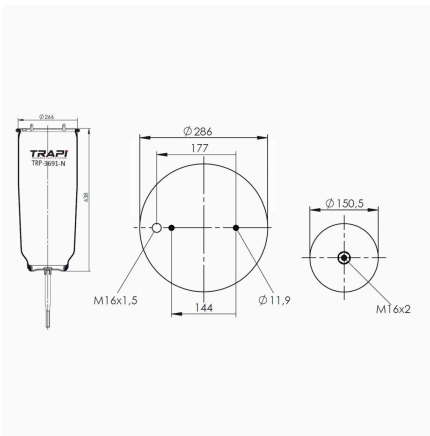
## TRP-34506-N AIR SPRING WITHOUT PISTON

| OEM REFERENCES |  | CROSS REFERENCES |                   |
|----------------|--|------------------|-------------------|
|                |  | Airtech          | 334506 P / 123432 |
|                |  |                  |                   |
|                |  |                  |                   |
|                |  |                  |                   |
|                |  |                  |                   |
|                |  |                  |                   |
|                |  |                  |                   |



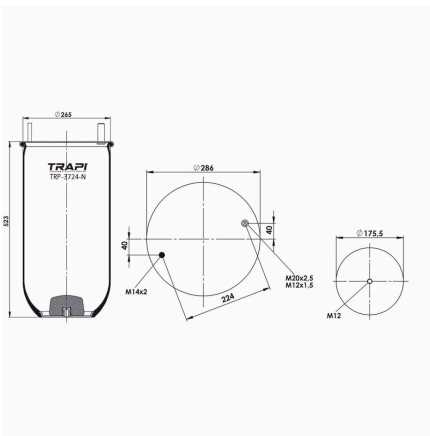
## TRP-3608-N AIR SPRING WITHOUT PISTON

| OEM REFERENCES |  | CROSS REFERENCES |                |
|----------------|--|------------------|----------------|
|                |  | Contitech        | 3608 N P01**SA |
|                |  | Contitech        | 6700 NP02**SA  |
|                |  |                  |                |
|                |  |                  |                |
|                |  |                  |                |
|                |  |                  |                |
|                |  |                  |                |



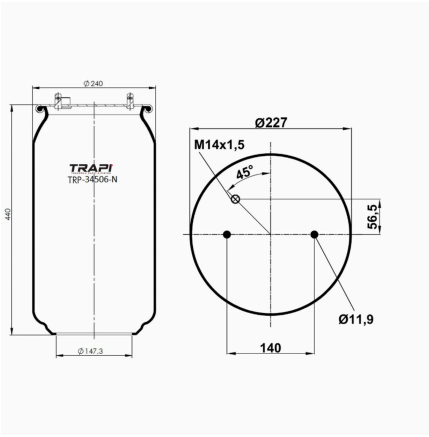
## TRP-3691-N AIR SPRING WITHOUT PISTON

| OEM REFERENCES |  | CROSS REFERENCES |                |
|----------------|--|------------------|----------------|
|                |  | Contitech        | 6700 NP01**SA  |
|                |  | Contitech        | 3691 N P01**SA |
|                |  |                  |                |
|                |  |                  |                |
|                |  |                  |                |
|                |  |                  |                |
|                |  |                  |                |



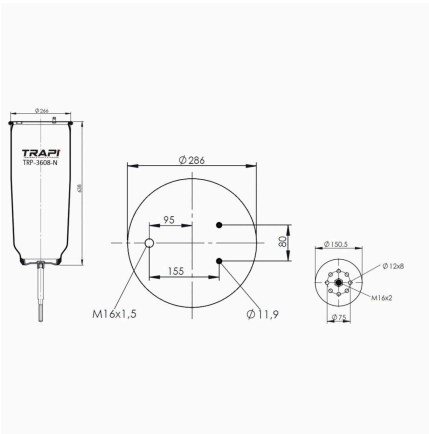
## TRP-3724-N AIR SPRING WITHOUT PISTON

| OEM REFERENCES |  | CROSS REFERENCES |              |
|----------------|--|------------------|--------------|
|                |  | Goodyear         | 1R13-724**SA |
|                |  |                  |              |
|                |  |                  |              |
|                |  |                  |              |
|                |  |                  |              |
|                |  |                  |              |
|                |  |                  |              |



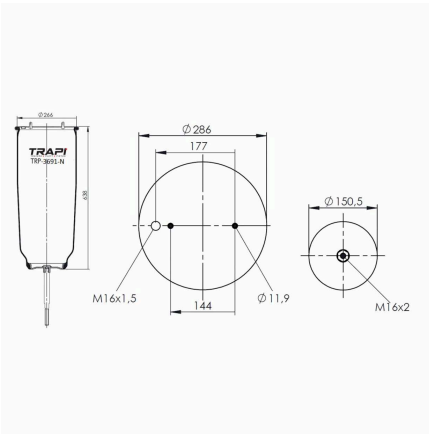
## TRP-34506-N AIR SPRING WITHOUT PISTON

| OEM REFERENCES |  | CROSS REFERENCES |                   |
|----------------|--|------------------|-------------------|
|                |  | Airtech          | 334506 P / 123432 |
|                |  |                  |                   |
|                |  |                  |                   |
|                |  |                  |                   |
|                |  |                  |                   |
|                |  |                  |                   |
|                |  |                  |                   |
|                |  |                  |                   |
|                |  |                  |                   |



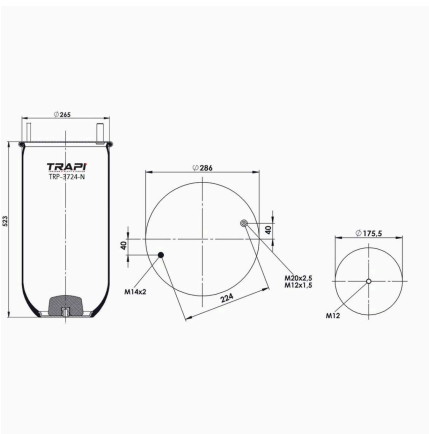
## TRP-3608-N AIR SPRING WITHOUT PISTON

| OEM REFERENCES |  | CROSS REFERENCES |                |
|----------------|--|------------------|----------------|
|                |  | Contitech        | 3608 N P01**SA |
|                |  | Contitech        | 6700 NP02**SA  |
|                |  |                  |                |
|                |  |                  |                |
|                |  |                  |                |
|                |  |                  |                |
|                |  |                  |                |
|                |  |                  |                |
|                |  |                  |                |



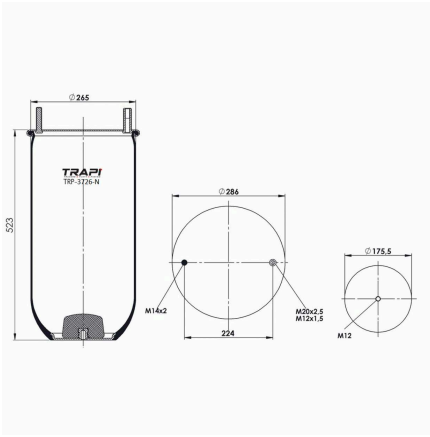
## TRP-3691-N AIR SPRING WITHOUT PISTON

| OEM REFERENCES |  | CROSS REFERENCES |                |
|----------------|--|------------------|----------------|
|                |  | Contitech        | 6700 NP01**SA  |
|                |  | Contitech        | 3691 N P01**SA |
|                |  |                  |                |
|                |  |                  |                |
|                |  |                  |                |
|                |  |                  |                |
|                |  |                  |                |
|                |  |                  |                |
|                |  |                  |                |



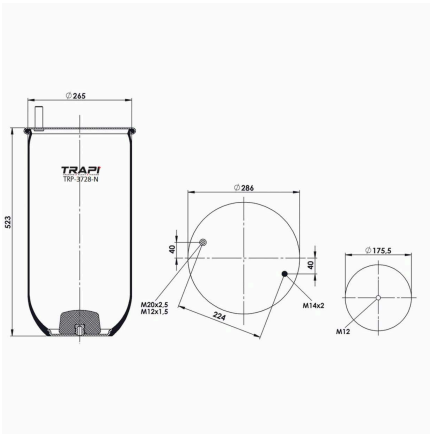
## TRP-3724-N AIR SPRING WITHOUT PISTON

| OEM REFERENCES |  | CROSS REFERENCES |              |
|----------------|--|------------------|--------------|
|                |  | Goodyear         | 1R13-724**SA |
|                |  |                  |              |
|                |  |                  |              |
|                |  |                  |              |
|                |  |                  |              |
|                |  |                  |              |
|                |  |                  |              |
|                |  |                  |              |
|                |  |                  |              |



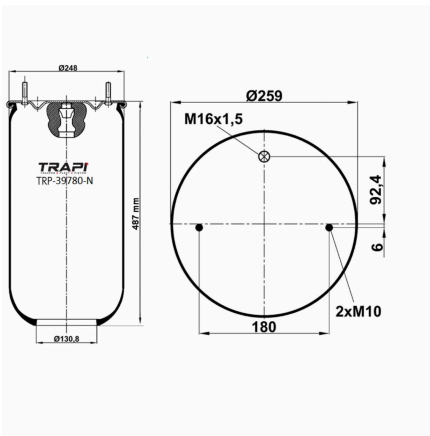
## TRP-3726 AIR SPRING WITHOUT PISTON

| OEM REFERENCES |              | CROSS REFERENCES |  |
|----------------|--------------|------------------|--|
| GIGANT         | 1R13-726**SA |                  |  |
|                |              |                  |  |
|                |              |                  |  |
|                |              |                  |  |
|                |              |                  |  |
|                |              |                  |  |
|                |              |                  |  |
|                |              |                  |  |



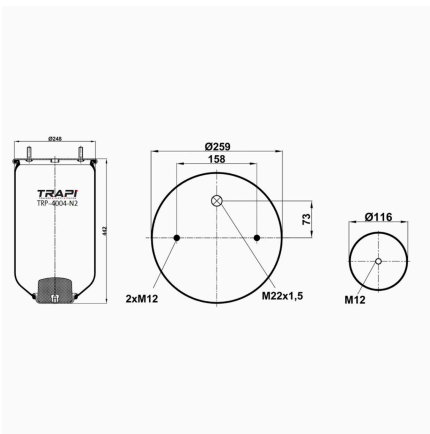
## TRP-3728-N AIR SPRING WITHOUT PISTON

| OEM REFERENCES |  | CROSS REFERENCES |              |
|----------------|--|------------------|--------------|
|                |  | Goodyear         | 1R13-728**SA |
|                |  |                  |              |
|                |  |                  |              |
|                |  |                  |              |
|                |  |                  |              |
|                |  |                  |              |
|                |  |                  |              |
|                |  |                  |              |



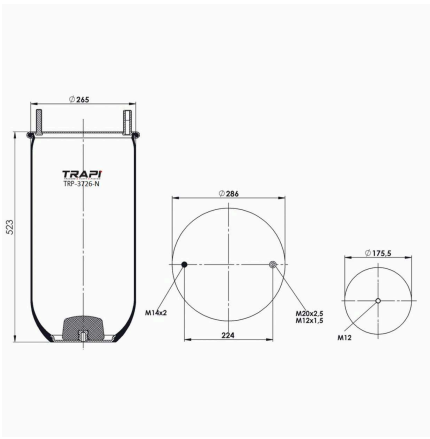
## TRP-39780-N AIR SPRING WITHOUT PISTON

| OEM REFERENCES |                | CROSS REFERENCES |                   |
|----------------|----------------|------------------|-------------------|
| VOLVO          | 20 554 763**SA | Airtech          | 39780K**SA 132962 |
| VOLVO          | 1 629 780**SA  |                  |                   |
|                |                |                  |                   |
|                |                |                  |                   |
|                |                |                  |                   |
|                |                |                  |                   |
|                |                |                  |                   |
|                |                |                  |                   |



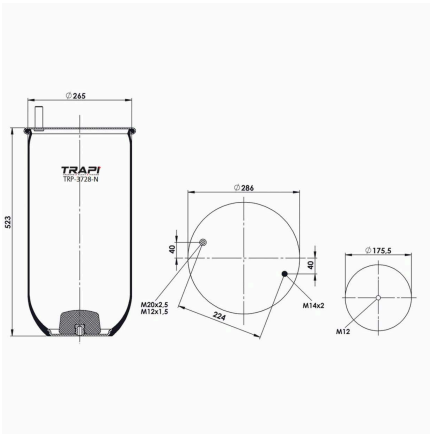
## TRP-4004-N2 AIR SPRING WITHOUT PISTON

| OEM REFERENCES |               | CROSS REFERENCES |               |
|----------------|---------------|------------------|---------------|
| SAF            | 3.229.007.02  | Goodyear         | 1R11-705      |
| SAF            | 4.284.3003.01 | Firestone        | W01M580919    |
|                |               | Firestone        | 1T17BS-6      |
|                |               | Dunlop           | D12U13        |
|                |               | Cf Gomma         | 1T19E-5 97722 |
|                |               | Taurus           | UR725-27T     |
|                |               | Taurus           | K505          |
|                |               |                  |               |
|                |               |                  |               |



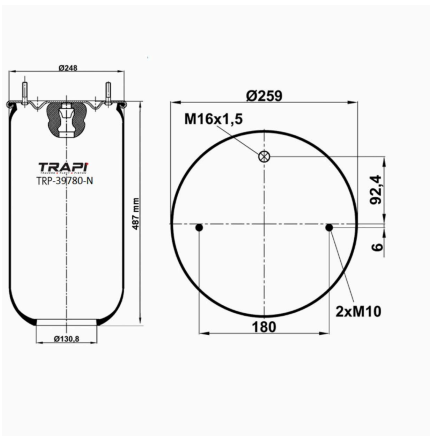
## TRP-3726 AIR SPRING WITHOUT PISTON

| OEM REFERENCES |              | CROSS REFERENCES |  |
|----------------|--------------|------------------|--|
| GIGANT         | 1R13-726**SA |                  |  |
|                |              |                  |  |
|                |              |                  |  |
|                |              |                  |  |
|                |              |                  |  |
|                |              |                  |  |
|                |              |                  |  |
|                |              |                  |  |
|                |              |                  |  |
|                |              |                  |  |



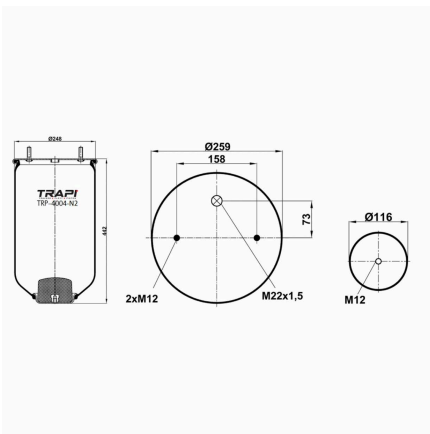
## TRP-3728-N AIR SPRING WITHOUT PISTON

| OEM REFERENCES |  | CROSS REFERENCES |              |
|----------------|--|------------------|--------------|
|                |  | Goodyear         | 1R13-728**SA |
|                |  |                  |              |
|                |  |                  |              |
|                |  |                  |              |
|                |  |                  |              |
|                |  |                  |              |
|                |  |                  |              |
|                |  |                  |              |
|                |  |                  |              |
|                |  |                  |              |



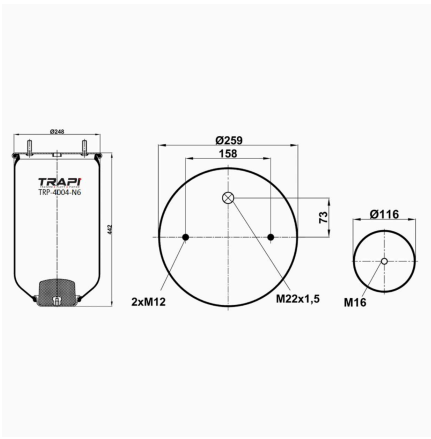
## TRP-39780-N AIR SPRING WITHOUT PISTON

| OEM REFERENCES |                | CROSS REFERENCES |                   |
|----------------|----------------|------------------|-------------------|
| VOLVO          | 20 554 763**SA | Airtech          | 39780K**SA 132962 |
| VOLVO          | 1 629 780**SA  |                  |                   |
|                |                |                  |                   |
|                |                |                  |                   |
|                |                |                  |                   |
|                |                |                  |                   |
|                |                |                  |                   |
|                |                |                  |                   |
|                |                |                  |                   |
|                |                |                  |                   |



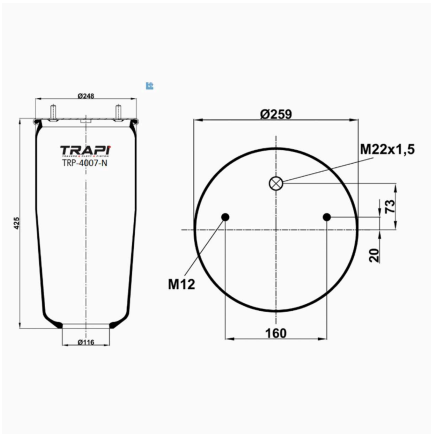
## TRP-4004-N2 AIR SPRING WITHOUT PISTON

| OEM REFERENCES |               | CROSS REFERENCES |               |
|----------------|---------------|------------------|---------------|
| SAF            | 3.229.007.02  | Goodyear         | 1R11-705      |
| SAF            | 4.284.3003.01 | Firestone        | W01M580919    |
|                |               | Firestone        | 1T17BS-6      |
|                |               | Dunlop           | D12U13        |
|                |               | Cf Gomma         | 1T19E-5 97722 |
|                |               | Taurus           | UR725-27T     |
|                |               | Taurus           | K505          |
|                |               |                  |               |
|                |               |                  |               |
|                |               |                  |               |
|                |               |                  |               |



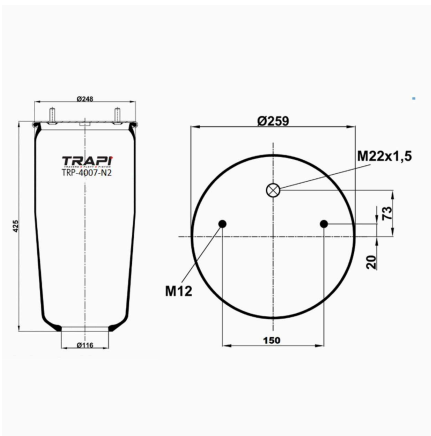
## TRP-4004-N6 AIR SPRING WITHOUT PISTON

| OEM REFERENCES |               | CROSS REFERENCES |               |
|----------------|---------------|------------------|---------------|
| SAF            | 4.284.3003.01 | Firestone        | W01M580919    |
|                |               | Firestone        | 1T17BS-6      |
|                |               | Dunlop           | D12U13        |
|                |               | Contitech        | 4004NP02      |
|                |               | Cf Gomma         | 1T19E-5 97722 |
|                |               | Goodyear         | 1R11-705      |
|                |               | Taurus           | K505          |
|                |               |                  |               |
|                |               |                  |               |



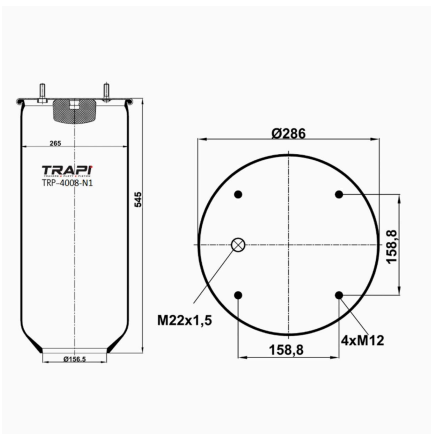
## TRP-4007-N AIR SPRING WITHOUT PISTON

| OEM REFERENCES |        | CROSS REFERENCES |          |
|----------------|--------|------------------|----------|
| GIGANT         | 166271 | Contitech        | 4007NP01 |
| GIGANT         | 3042   |                  |          |
| GIGANT         | 247104 |                  |          |
|                |        |                  |          |
|                |        |                  |          |
|                |        |                  |          |



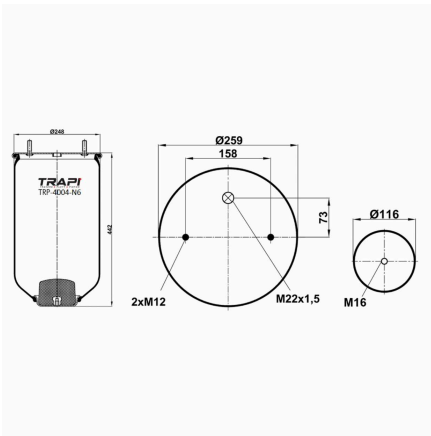
## TRP-4007-N2 AIR SPRING WITHOUT PISTON

| OEM REFERENCES |          | CROSS REFERENCES |  |
|----------------|----------|------------------|--|
| GIGANT         | 3042**SA |                  |  |
|                |          |                  |  |
|                |          |                  |  |
|                |          |                  |  |
|                |          |                  |  |
|                |          |                  |  |



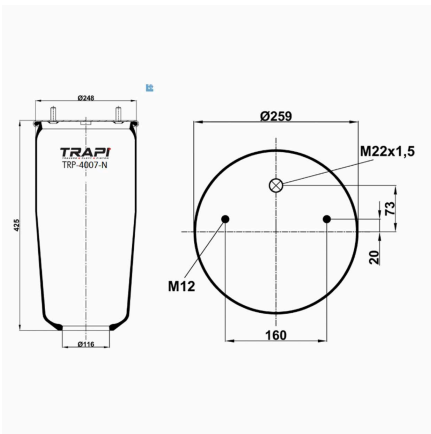
## TRP-4008-N1 AIR SPRING WITHOUT PISTON

| OEM REFERENCES |  | CROSS REFERENCES |                |
|----------------|--|------------------|----------------|
|                |  | Contitech        | 4008 N P01**SA |
|                |  |                  |                |
|                |  |                  |                |
|                |  |                  |                |
|                |  |                  |                |
|                |  |                  |                |



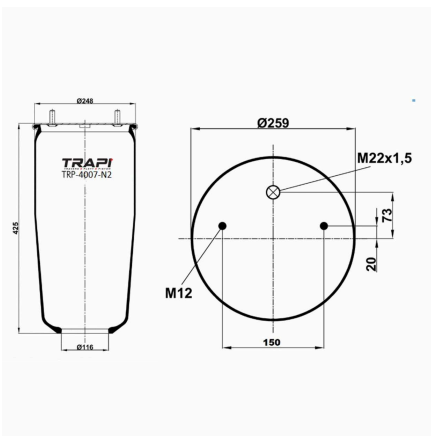
## TRP-4004-N6 AIR SPRING WITHOUT PISTON

| OEM REFERENCES |               | CROSS REFERENCES |               |
|----------------|---------------|------------------|---------------|
| SAF            | 4.284.3003.01 | Firestone        | W01M580919    |
|                |               | Firestone        | 1T17BS-6      |
|                |               | Dunlop           | D12U13        |
|                |               | Contitech        | 4004NP02      |
|                |               | Cf Gomma         | 1T19E-5 97722 |
|                |               | Goodyear         | 1R11-705      |
|                |               | Taurus           | K505          |
|                |               |                  |               |
|                |               |                  |               |



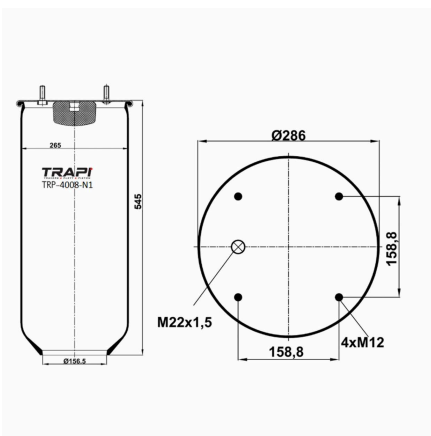
## TRP-4007-N AIR SPRING WITHOUT PISTON

| OEM REFERENCES |        | CROSS REFERENCES |          |
|----------------|--------|------------------|----------|
| GIGANT         | 166271 | Contitech        | 4007NP01 |
| GIGANT         | 3042   |                  |          |
| GIGANT         | 247104 |                  |          |
|                |        |                  |          |
|                |        |                  |          |
|                |        |                  |          |



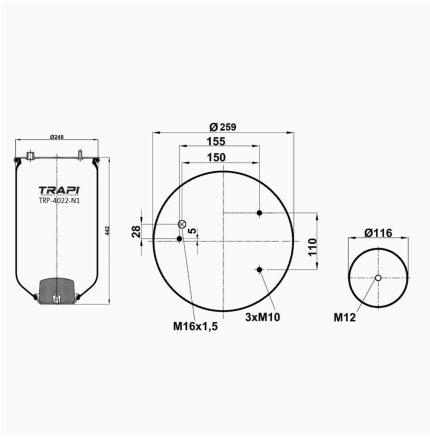
## TRP-4007-N2 AIR SPRING WITHOUT PISTON

| OEM REFERENCES |          | CROSS REFERENCES |  |
|----------------|----------|------------------|--|
| GIGANT         | 3042**SA |                  |  |
|                |          |                  |  |
|                |          |                  |  |
|                |          |                  |  |
|                |          |                  |  |
|                |          |                  |  |



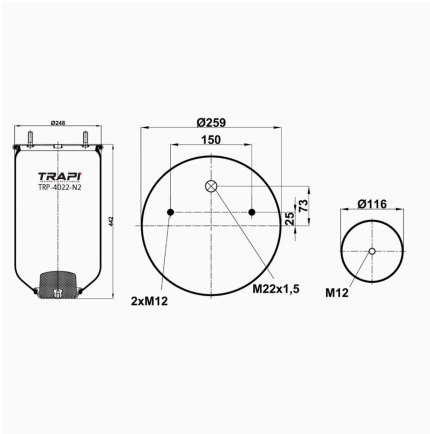
## TRP-4008-N1 AIR SPRING WITHOUT PISTON

| OEM REFERENCES |  | CROSS REFERENCES |                |
|----------------|--|------------------|----------------|
|                |  | Contitech        | 4008 N P01**SA |
|                |  |                  |                |
|                |  |                  |                |
|                |  |                  |                |
|                |  |                  |                |
|                |  |                  |                |



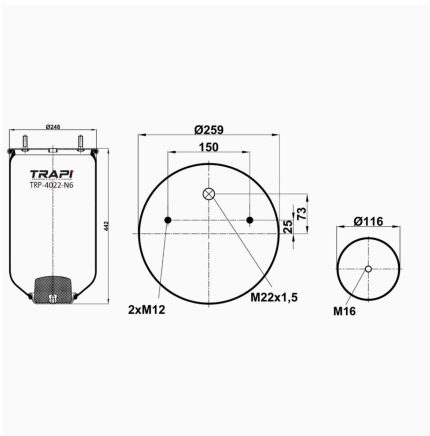
## TRP-4022-N1 AIR SPRING WITHOUT PISTON

| OEM REFERENCES |  | CROSS REFERENCES |                  |
|----------------|--|------------------|------------------|
|                |  | Airtech          | 34022-01P 120822 |
|                |  |                  |                  |
|                |  |                  |                  |
|                |  |                  |                  |
|                |  |                  |                  |
|                |  |                  |                  |
|                |  |                  |                  |



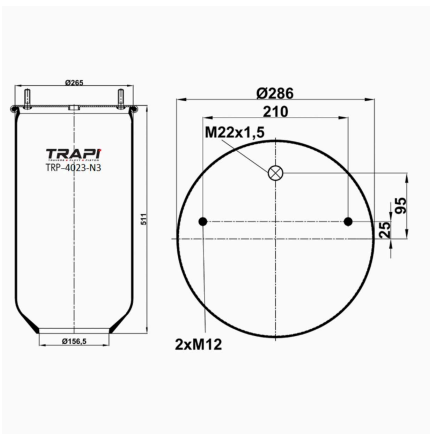
## TRP-4022-N2 AIR SPRING WITHOUT PISTON

| OEM REFERENCES |  | CROSS REFERENCES |                |
|----------------|--|------------------|----------------|
|                |  | Contitech        | 4022 N P02**SA |
|                |  |                  |                |
|                |  |                  |                |
|                |  |                  |                |
|                |  |                  |                |
|                |  |                  |                |
|                |  |                  |                |



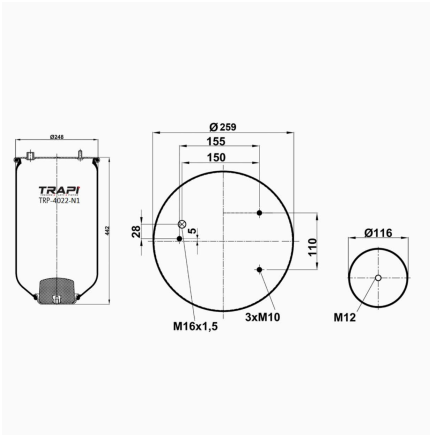
## TRP-4022-N6 AIR SPRING WITHOUT PISTON

| OEM REFERENCES |               | CROSS REFERENCES |            |
|----------------|---------------|------------------|------------|
| SAF HOLLAND    | 4.284.3006.00 | Goodyear         | 1R11-709   |
|                |               | Firestone        | 1T17BS-6   |
|                |               | Firestone        | W01M580756 |
|                |               | Contitech        | 4022 N P02 |
|                |               | Springride       | D11U40     |
|                |               | Taurus           | UR725-28T  |
|                |               |                  |            |
|                |               |                  |            |



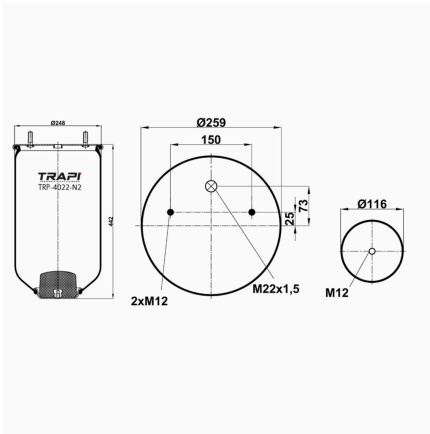
## TRP-4023-N3 AIR SPRING WITHOUT PISTON

| OEM REFERENCES |              | CROSS REFERENCES |                |
|----------------|--------------|------------------|----------------|
| SAF            | 3.229.031.00 | Contitech        | 4023 N P02     |
|                |              | Contitech        | 4023 N P03**SA |
|                |              | Contitech        | 4023 N P06     |
|                |              |                  |                |
|                |              |                  |                |
|                |              |                  |                |
|                |              |                  |                |



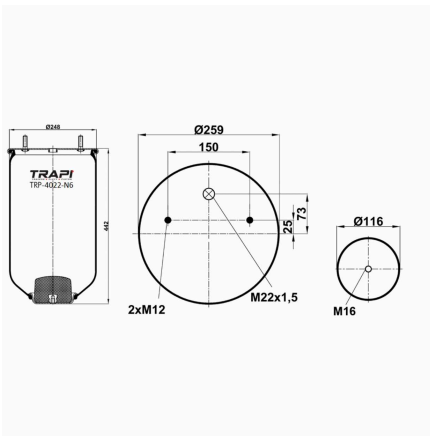
## TRP-4022-N1 AIR SPRING WITHOUT PISTON

| OEM REFERENCES |  | CROSS REFERENCES |                  |
|----------------|--|------------------|------------------|
|                |  | Airtech          | 34022-01P 120822 |
|                |  |                  |                  |
|                |  |                  |                  |
|                |  |                  |                  |
|                |  |                  |                  |
|                |  |                  |                  |
|                |  |                  |                  |
|                |  |                  |                  |



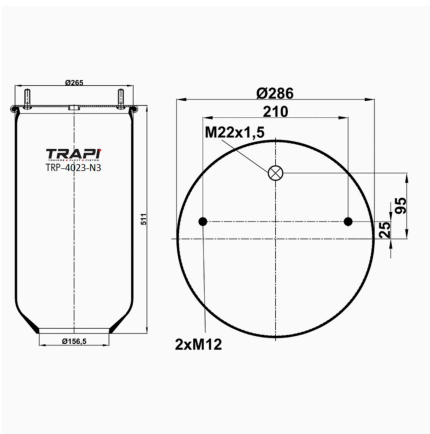
## TRP-4022-N2 AIR SPRING WITHOUT PISTON

| OEM REFERENCES |  | CROSS REFERENCES |                |
|----------------|--|------------------|----------------|
|                |  | Contitech        | 4022 N P02**SA |
|                |  |                  |                |
|                |  |                  |                |
|                |  |                  |                |
|                |  |                  |                |
|                |  |                  |                |
|                |  |                  |                |
|                |  |                  |                |



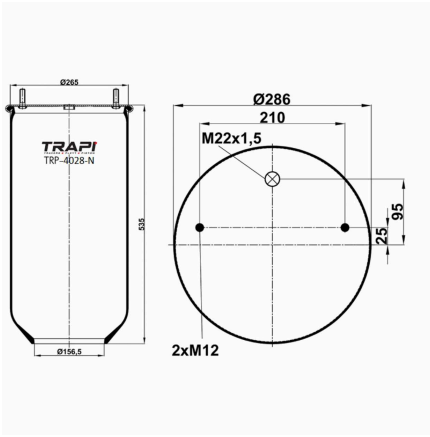
## TRP-4022-N6 AIR SPRING WITHOUT PISTON

| OEM REFERENCES |               | CROSS REFERENCES |            |
|----------------|---------------|------------------|------------|
| SAF HOLLAND    | 4.284.3006.00 | Goodyear         | 1R11-709   |
|                |               | Firestone        | 1T17BS-6   |
|                |               | Firestone        | W01M580756 |
|                |               | Contitech        | 4022 N P02 |
|                |               | Springride       | D11U40     |
|                |               | Taurus           | UR725-28T  |
|                |               |                  |            |
|                |               |                  |            |
|                |               |                  |            |



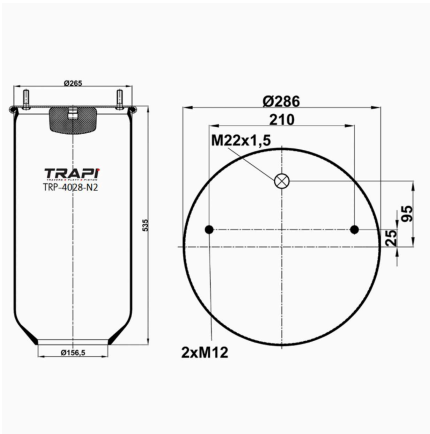
## TRP-4023-N3 AIR SPRING WITHOUT PISTON

| OEM REFERENCES |              | CROSS REFERENCES |                |
|----------------|--------------|------------------|----------------|
| SAF            | 3.229.031.00 | Contitech        | 4023 N P02     |
|                |              | Contitech        | 4023 N P03**SA |
|                |              | Contitech        | 4023 N P06     |
|                |              |                  |                |
|                |              |                  |                |
|                |              |                  |                |
|                |              |                  |                |
|                |              |                  |                |
|                |              |                  |                |



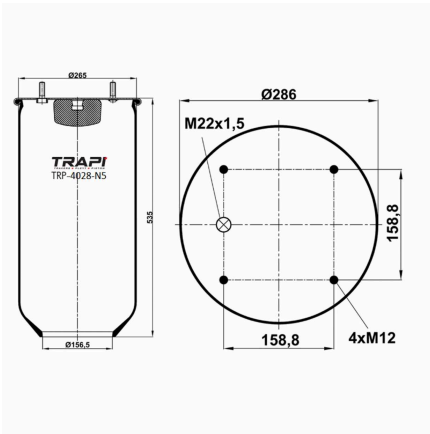
## TRP-4028-N AIR SPRING WITHOUT PISTON

| OEM REFERENCES |         | CROSS REFERENCES |              |
|----------------|---------|------------------|--------------|
| WEWELER        | US04028 | Contitech        | 4028NP02**SA |
|                |         |                  |              |
|                |         |                  |              |
|                |         |                  |              |
|                |         |                  |              |
|                |         |                  |              |
|                |         |                  |              |



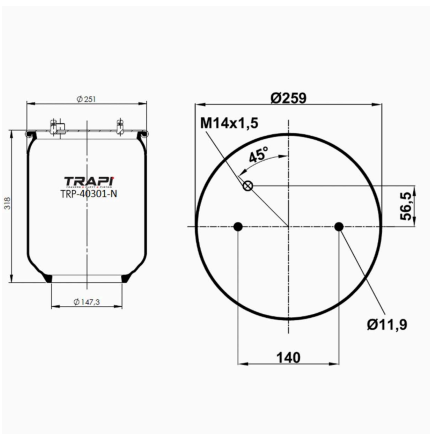
## TRP-4028-N2 AIR SPRING WITHOUT PISTON

| OEM REFERENCES |  | CROSS REFERENCES |               |
|----------------|--|------------------|---------------|
|                |  | Airtech          | 34028P 120362 |
|                |  |                  |               |
|                |  |                  |               |
|                |  |                  |               |
|                |  |                  |               |
|                |  |                  |               |
|                |  |                  |               |



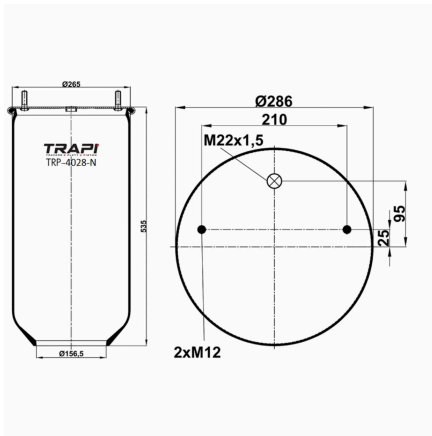
## TRP-4028-N5 AIR SPRING WITHOUT PISTON

| OEM REFERENCES |  | CROSS REFERENCES |                |
|----------------|--|------------------|----------------|
|                |  | Contitech        | 4028 N P05**SA |
|                |  |                  |                |
|                |  |                  |                |
|                |  |                  |                |
|                |  |                  |                |
|                |  |                  |                |
|                |  |                  |                |



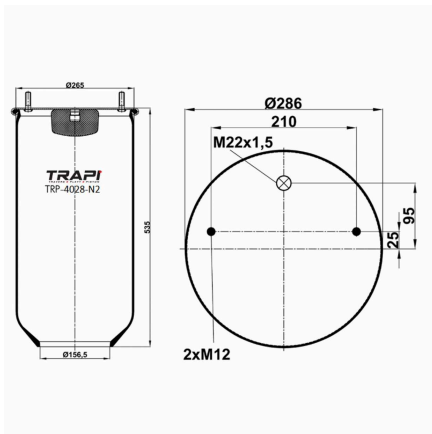
## TRP-40301-N AIR SPRING WITHOUT PISTON

| OEM REFERENCES |  | CROSS REFERENCES |                   |
|----------------|--|------------------|-------------------|
|                |  | Airtech          | 330301 P / 122662 |
|                |  |                  |                   |
|                |  |                  |                   |
|                |  |                  |                   |
|                |  |                  |                   |
|                |  |                  |                   |
|                |  |                  |                   |



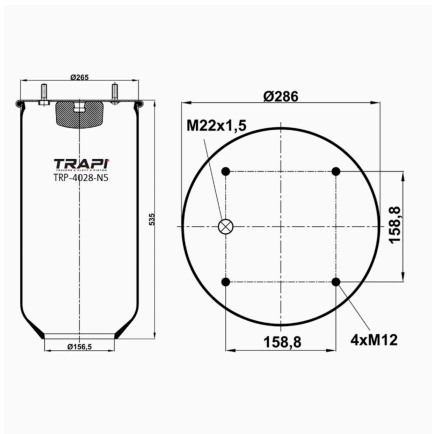
## TRP-4028-N AIR SPRING WITHOUT PISTON

| OEM REFERENCES |         | CROSS REFERENCES |              |
|----------------|---------|------------------|--------------|
| WEWELER        | US04028 | Contitech        | 4028NP02**SA |
|                |         |                  |              |
|                |         |                  |              |
|                |         |                  |              |
|                |         |                  |              |
|                |         |                  |              |
|                |         |                  |              |
|                |         |                  |              |
|                |         |                  |              |
|                |         |                  |              |



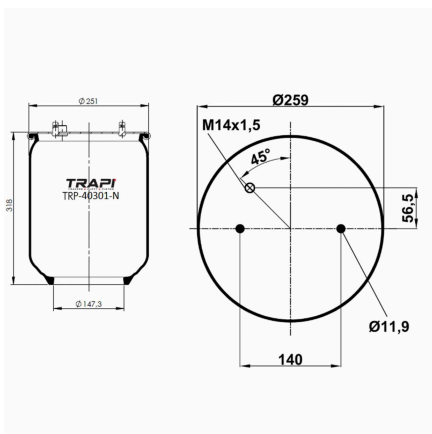
## TRP-4028-N2 AIR SPRING WITHOUT PISTON

| OEM REFERENCES |  | CROSS REFERENCES |               |
|----------------|--|------------------|---------------|
|                |  | Airtech          | 34028P 120362 |
|                |  |                  |               |
|                |  |                  |               |
|                |  |                  |               |
|                |  |                  |               |
|                |  |                  |               |
|                |  |                  |               |
|                |  |                  |               |
|                |  |                  |               |
|                |  |                  |               |



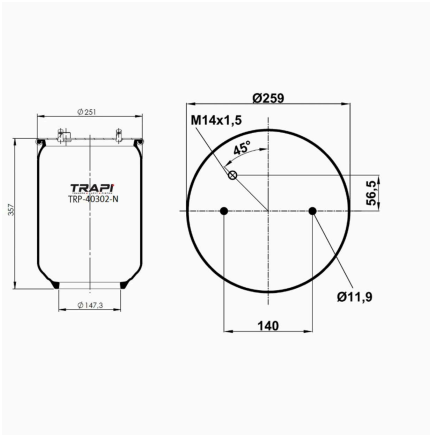
## TRP-4028-N5 AIR SPRING WITHOUT PISTON

| OEM REFERENCES |  | CROSS REFERENCES |                |
|----------------|--|------------------|----------------|
|                |  | Contitech        | 4028 N P05**SA |
|                |  |                  |                |
|                |  |                  |                |
|                |  |                  |                |
|                |  |                  |                |
|                |  |                  |                |
|                |  |                  |                |
|                |  |                  |                |
|                |  |                  |                |
|                |  |                  |                |



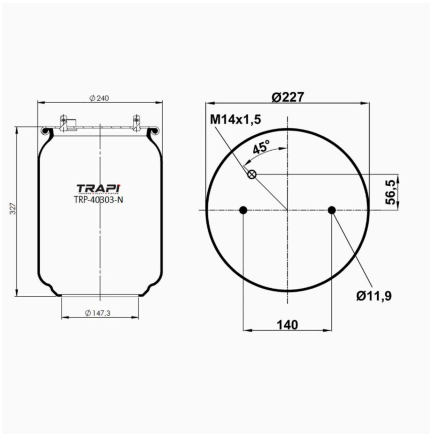
## TRP-40301-N AIR SPRING WITHOUT PISTON

| OEM REFERENCES |  | CROSS REFERENCES |                   |
|----------------|--|------------------|-------------------|
|                |  | Airtech          | 330301 P / 122662 |
|                |  |                  |                   |
|                |  |                  |                   |
|                |  |                  |                   |
|                |  |                  |                   |
|                |  |                  |                   |
|                |  |                  |                   |
|                |  |                  |                   |
|                |  |                  |                   |
|                |  |                  |                   |



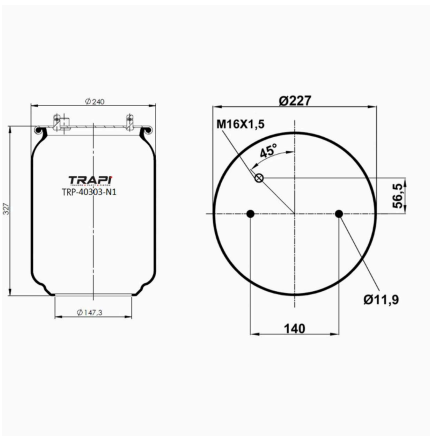
## TRP-40302-N AIR SPRING WITHOUT PISTON

| OEM REFERENCES |  | CROSS REFERENCES |                   |
|----------------|--|------------------|-------------------|
|                |  | Airtech          | 330302 P / 123392 |
|                |  |                  |                   |
|                |  |                  |                   |
|                |  |                  |                   |
|                |  |                  |                   |
|                |  |                  |                   |
|                |  |                  |                   |
|                |  |                  |                   |
|                |  |                  |                   |
|                |  |                  |                   |



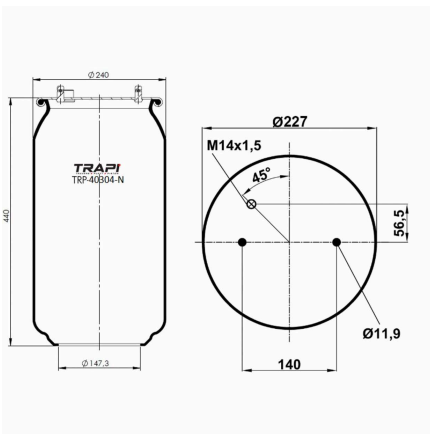
## TRP-40303-N AIR SPRING WITHOUT PISTON

| OEM REFERENCES |  | CROSS REFERENCES |                   |
|----------------|--|------------------|-------------------|
|                |  | Airtech          | 331114 P / 123422 |
|                |  |                  |                   |
|                |  |                  |                   |
|                |  |                  |                   |
|                |  |                  |                   |
|                |  |                  |                   |
|                |  |                  |                   |
|                |  |                  |                   |
|                |  |                  |                   |
|                |  |                  |                   |
|                |  |                  |                   |



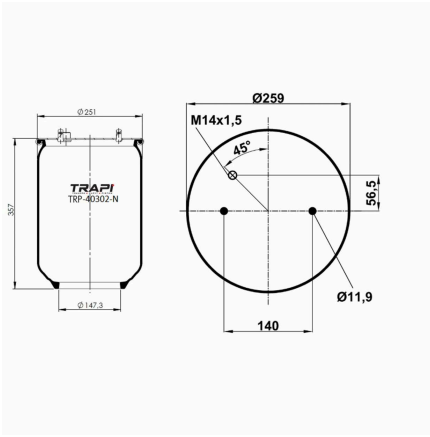
## TRP-40303-N1 AIR SPRING WITHOUT PISTON

| OEM REFERENCES |  | CROSS REFERENCES |              |
|----------------|--|------------------|--------------|
|                |  | Goodyear         | 1R11-837**SA |
|                |  |                  |              |
|                |  |                  |              |
|                |  |                  |              |
|                |  |                  |              |
|                |  |                  |              |
|                |  |                  |              |
|                |  |                  |              |
|                |  |                  |              |
|                |  |                  |              |
|                |  |                  |              |



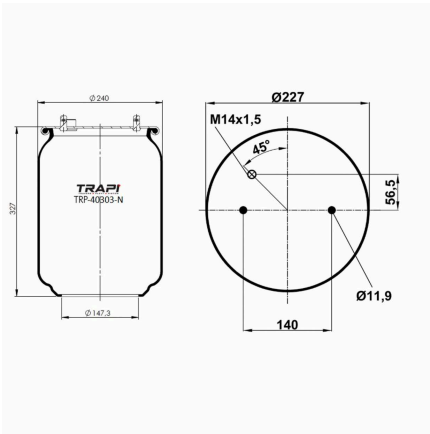
## TRP-40304-N AIR SPRING WITHOUT PISTON

| OEM REFERENCES |  | CROSS REFERENCES |                |
|----------------|--|------------------|----------------|
|                |  | Airtech          | 330304P 122672 |
|                |  |                  |                |
|                |  |                  |                |
|                |  |                  |                |
|                |  |                  |                |
|                |  |                  |                |
|                |  |                  |                |
|                |  |                  |                |
|                |  |                  |                |
|                |  |                  |                |
|                |  |                  |                |



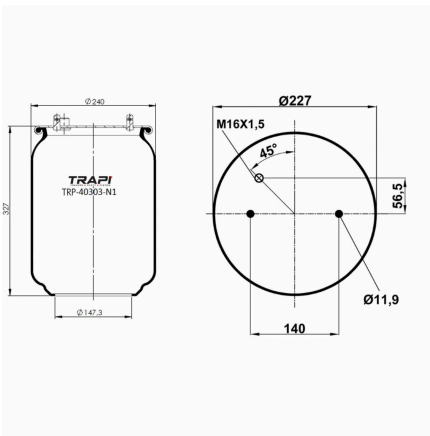
## TRP-40302-N AIR SPRING WITHOUT PISTON

| OEM REFERENCES |  | CROSS REFERENCES |                   |
|----------------|--|------------------|-------------------|
|                |  | Airtech          | 330302 P / 123392 |
|                |  |                  |                   |
|                |  |                  |                   |
|                |  |                  |                   |
|                |  |                  |                   |
|                |  |                  |                   |
|                |  |                  |                   |
|                |  |                  |                   |
|                |  |                  |                   |
|                |  |                  |                   |



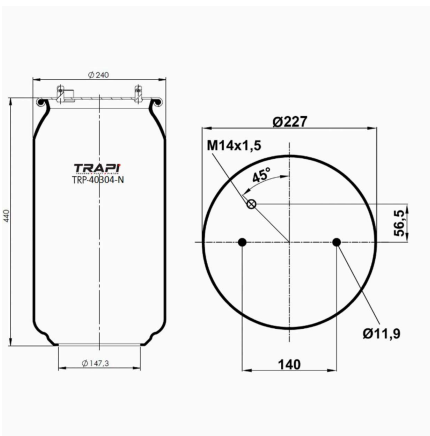
## TRP-40303-N AIR SPRING WITHOUT PISTON

| OEM REFERENCES |  | CROSS REFERENCES |                   |
|----------------|--|------------------|-------------------|
|                |  | Airtech          | 331114 P / 123422 |
|                |  |                  |                   |
|                |  |                  |                   |
|                |  |                  |                   |
|                |  |                  |                   |
|                |  |                  |                   |
|                |  |                  |                   |
|                |  |                  |                   |
|                |  |                  |                   |
|                |  |                  |                   |
|                |  |                  |                   |



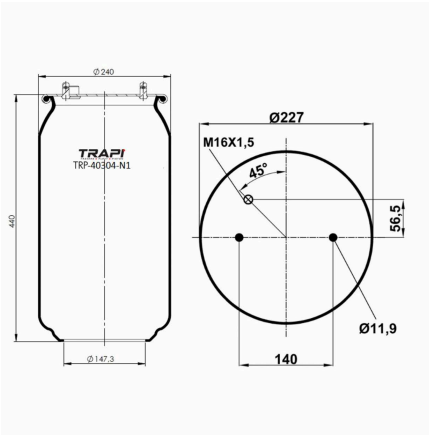
## TRP-40303-N1 AIR SPRING WITHOUT PISTON

| OEM REFERENCES |  | CROSS REFERENCES |              |
|----------------|--|------------------|--------------|
|                |  | Goodyear         | 1R11-837**SA |
|                |  |                  |              |
|                |  |                  |              |
|                |  |                  |              |
|                |  |                  |              |
|                |  |                  |              |
|                |  |                  |              |
|                |  |                  |              |
|                |  |                  |              |
|                |  |                  |              |
|                |  |                  |              |



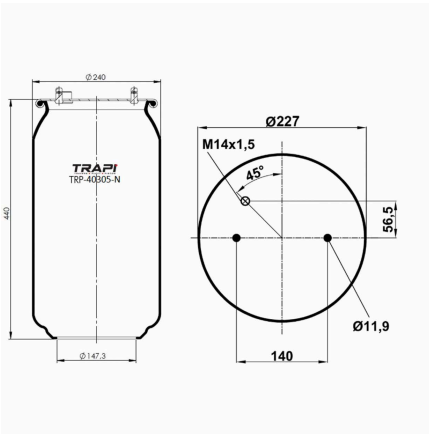
## TRP-40304-N AIR SPRING WITHOUT PISTON

| OEM REFERENCES |  | CROSS REFERENCES |                |
|----------------|--|------------------|----------------|
|                |  | Airtech          | 330304P 122672 |
|                |  |                  |                |
|                |  |                  |                |
|                |  |                  |                |
|                |  |                  |                |
|                |  |                  |                |
|                |  |                  |                |
|                |  |                  |                |
|                |  |                  |                |
|                |  |                  |                |
|                |  |                  |                |



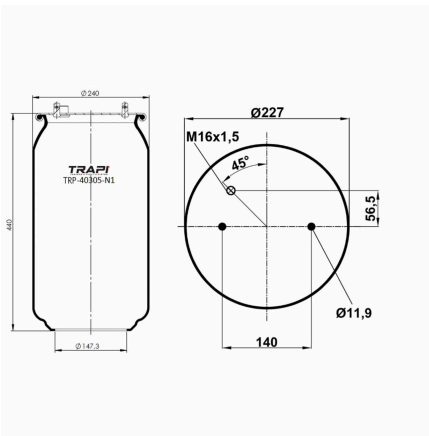
## TRP-40304-N1 AIR SPRING WITHOUT PISTON

| OEM REFERENCES |  | CROSS REFERENCES |              |
|----------------|--|------------------|--------------|
|                |  | Goodyear         | 1R11-834**SA |
|                |  |                  |              |
|                |  |                  |              |
|                |  |                  |              |
|                |  |                  |              |
|                |  |                  |              |
|                |  |                  |              |
|                |  |                  |              |
|                |  |                  |              |
|                |  |                  |              |



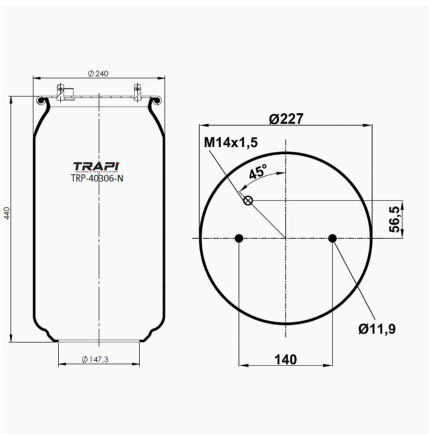
## TRP-40305-N AIR SPRING WITHOUT PISTON

| OEM REFERENCES |  | CROSS REFERENCES |                |
|----------------|--|------------------|----------------|
|                |  | Airtech          | 330305P 122712 |
|                |  |                  |                |
|                |  |                  |                |
|                |  |                  |                |
|                |  |                  |                |
|                |  |                  |                |
|                |  |                  |                |
|                |  |                  |                |
|                |  |                  |                |
|                |  |                  |                |



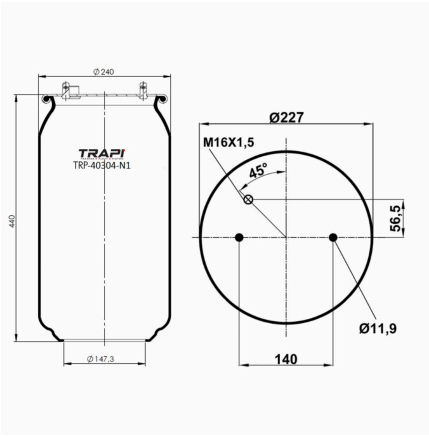
## TRP-40305-N1 AIR SPRING WITHOUT PISTON

| OEM REFERENCES |  | CROSS REFERENCES |              |
|----------------|--|------------------|--------------|
|                |  | Goodyear         | 1R11-839**SA |
|                |  |                  |              |
|                |  |                  |              |
|                |  |                  |              |
|                |  |                  |              |
|                |  |                  |              |
|                |  |                  |              |
|                |  |                  |              |
|                |  |                  |              |
|                |  |                  |              |



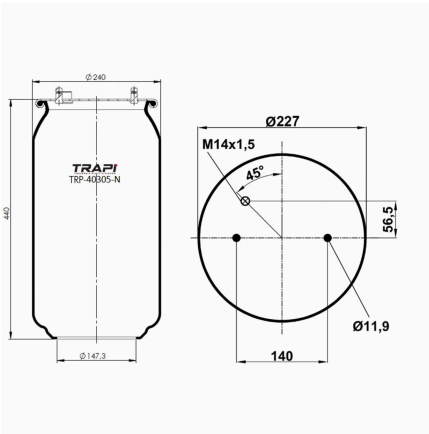
## TRP-40306-N AIR SPRING WITHOUT PISTON

| OEM REFERENCES |  | CROSS REFERENCES |              |
|----------------|--|------------------|--------------|
|                |  | Airtech          | 330306 K**SA |
|                |  |                  |              |
|                |  |                  |              |
|                |  |                  |              |
|                |  |                  |              |
|                |  |                  |              |
|                |  |                  |              |
|                |  |                  |              |
|                |  |                  |              |
|                |  |                  |              |



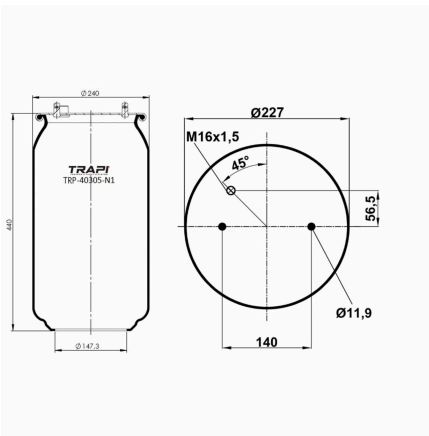
## TRP-40304-N1 AIR SPRING WITHOUT PISTON

| OEM REFERENCES |  | CROSS REFERENCES |              |
|----------------|--|------------------|--------------|
|                |  | Goodyear         | 1R11-834**SA |
|                |  |                  |              |
|                |  |                  |              |
|                |  |                  |              |
|                |  |                  |              |
|                |  |                  |              |
|                |  |                  |              |
|                |  |                  |              |
|                |  |                  |              |
|                |  |                  |              |



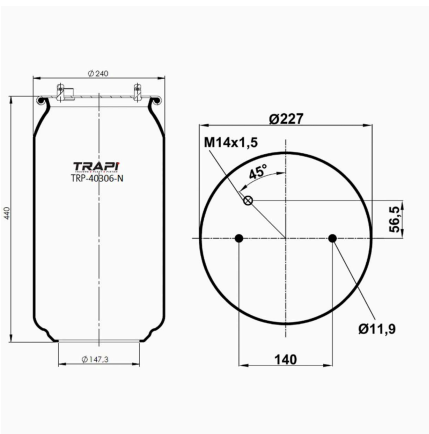
## TRP-40305-N AIR SPRING WITHOUT PISTON

| OEM REFERENCES |  | CROSS REFERENCES |                |
|----------------|--|------------------|----------------|
|                |  | Airtech          | 330305P 122712 |
|                |  |                  |                |
|                |  |                  |                |
|                |  |                  |                |
|                |  |                  |                |
|                |  |                  |                |
|                |  |                  |                |
|                |  |                  |                |
|                |  |                  |                |
|                |  |                  |                |



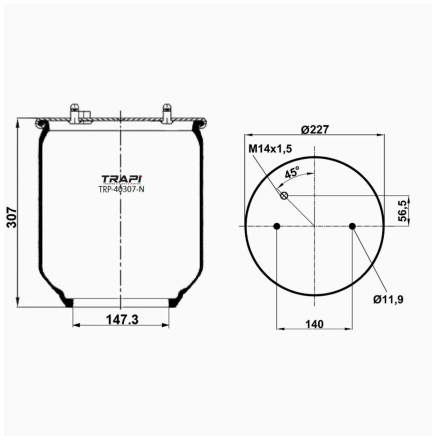
## TRP-40305-N1 AIR SPRING WITHOUT PISTON

| OEM REFERENCES |  | CROSS REFERENCES |              |
|----------------|--|------------------|--------------|
|                |  | Goodyear         | 1R11-839**SA |
|                |  |                  |              |
|                |  |                  |              |
|                |  |                  |              |
|                |  |                  |              |
|                |  |                  |              |
|                |  |                  |              |
|                |  |                  |              |
|                |  |                  |              |
|                |  |                  |              |



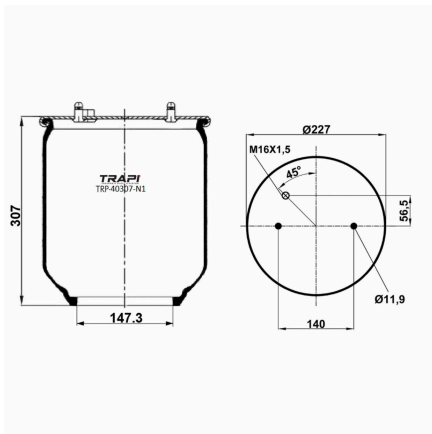
## TRP-40306-N AIR SPRING WITHOUT PISTON

| OEM REFERENCES |  | CROSS REFERENCES |              |
|----------------|--|------------------|--------------|
|                |  | Airtech          | 330306 K**SA |
|                |  |                  |              |
|                |  |                  |              |
|                |  |                  |              |
|                |  |                  |              |
|                |  |                  |              |
|                |  |                  |              |
|                |  |                  |              |
|                |  |                  |              |
|                |  |                  |              |



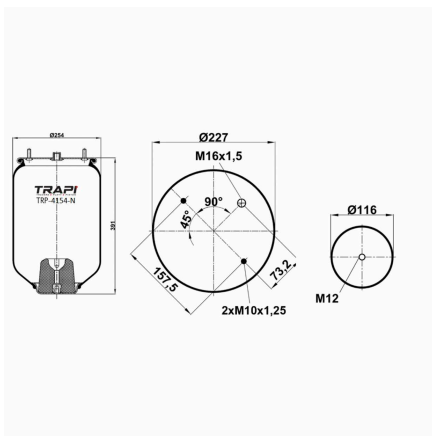
## TRP-40307-N AIR SPRING WITHOUT PISTON

| OEM REFERENCES |  | CROSS REFERENCES |                   |
|----------------|--|------------------|-------------------|
|                |  | Airtech          | 330307 P / 123412 |
|                |  |                  |                   |
|                |  |                  |                   |
|                |  |                  |                   |
|                |  |                  |                   |
|                |  |                  |                   |
|                |  |                  |                   |
|                |  |                  |                   |
|                |  |                  |                   |
|                |  |                  |                   |



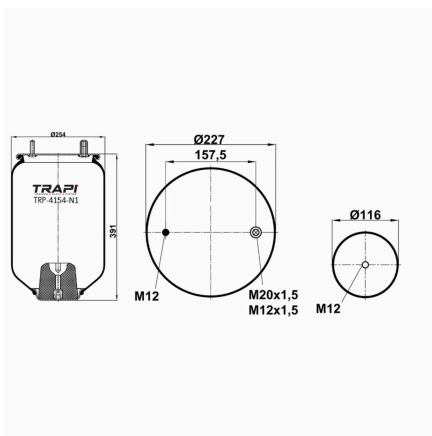
## TRP-40307-N1 AIR SPRING WITHOUT PISTON

| OEM REFERENCES |  | CROSS REFERENCES |              |
|----------------|--|------------------|--------------|
|                |  | Goodyear         | 1R11-841**SA |
|                |  |                  |              |
|                |  |                  |              |
|                |  |                  |              |
|                |  |                  |              |
|                |  |                  |              |
|                |  |                  |              |
|                |  |                  |              |
|                |  |                  |              |
|                |  |                  |              |



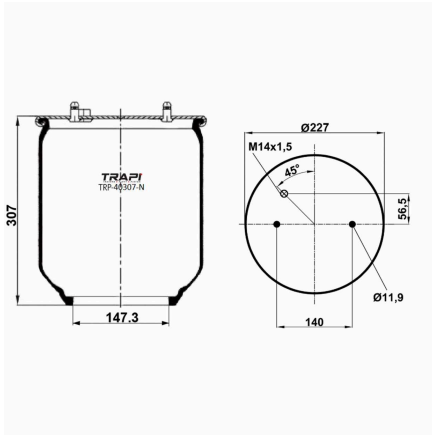
## TRP-4154-N AIR SPRING WITHOUT PISTON

| OEM REFERENCES |  | CROSS REFERENCES |               |
|----------------|--|------------------|---------------|
|                |  | Airtech          | 34154P 120382 |
|                |  |                  |               |
|                |  |                  |               |
|                |  |                  |               |
|                |  |                  |               |
|                |  |                  |               |
|                |  |                  |               |
|                |  |                  |               |
|                |  |                  |               |
|                |  |                  |               |



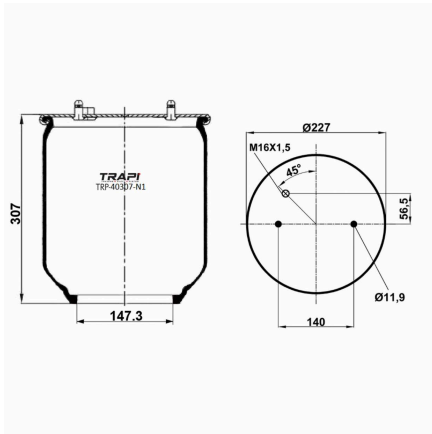
## TRP-4154-N1 AIR SPRING WITHOUT PISTON

| OEM REFERENCES |  | CROSS REFERENCES |                     |
|----------------|--|------------------|---------------------|
|                |  | Airtech          | 34154-01 P / 121142 |
|                |  |                  |                     |
|                |  |                  |                     |
|                |  |                  |                     |
|                |  |                  |                     |
|                |  |                  |                     |
|                |  |                  |                     |
|                |  |                  |                     |
|                |  |                  |                     |
|                |  |                  |                     |



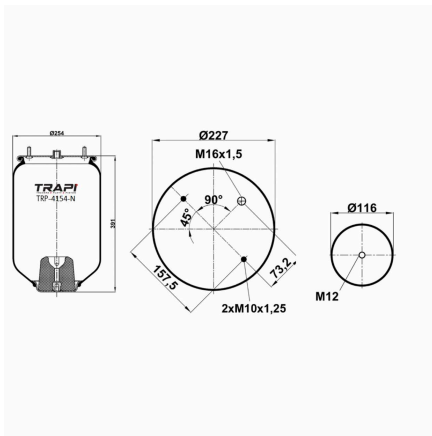
## TRP-40307-N AIR SPRING WITHOUT PISTON

| OEM REFERENCES |  | CROSS REFERENCES |                   |
|----------------|--|------------------|-------------------|
|                |  | Airtech          | 330307 P / 123412 |
|                |  |                  |                   |
|                |  |                  |                   |
|                |  |                  |                   |
|                |  |                  |                   |
|                |  |                  |                   |
|                |  |                  |                   |



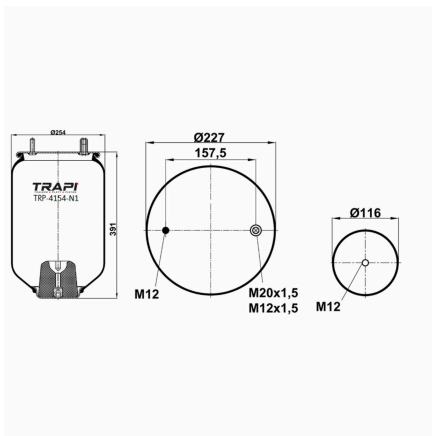
## TRP-40307-N1 AIR SPRING WITHOUT PISTON

| OEM REFERENCES |  | CROSS REFERENCES |              |
|----------------|--|------------------|--------------|
|                |  | Goodyear         | 1R11-841**SA |
|                |  |                  |              |
|                |  |                  |              |
|                |  |                  |              |
|                |  |                  |              |
|                |  |                  |              |
|                |  |                  |              |



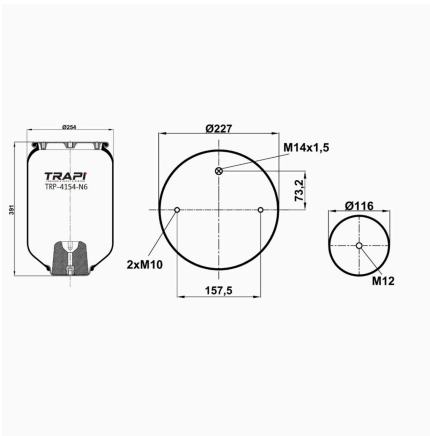
## TRP-4154-N AIR SPRING WITHOUT PISTON

| OEM REFERENCES |  | CROSS REFERENCES |               |
|----------------|--|------------------|---------------|
|                |  | Airtech          | 34154P 120382 |
|                |  |                  |               |
|                |  |                  |               |
|                |  |                  |               |
|                |  |                  |               |
|                |  |                  |               |
|                |  |                  |               |



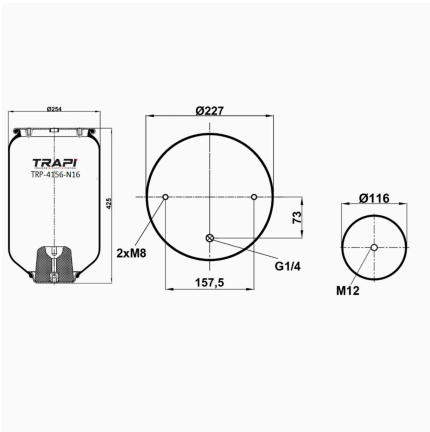
## TRP-4154-N1 AIR SPRING WITHOUT PISTON

| OEM REFERENCES |  | CROSS REFERENCES |                     |
|----------------|--|------------------|---------------------|
|                |  | Airtech          | 34154-01 P / 121142 |
|                |  |                  |                     |
|                |  |                  |                     |
|                |  |                  |                     |
|                |  |                  |                     |
|                |  |                  |                     |
|                |  |                  |                     |



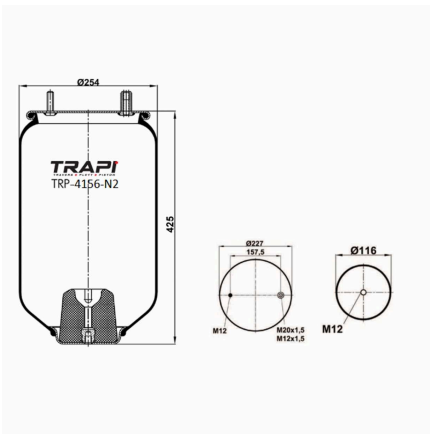
## TRP-4154-N6 AIR SPRING WITHOUT PISTON

| OEM REFERENCES |  | CROSS REFERENCES |                  |
|----------------|--|------------------|------------------|
|                |  | Firestone        | W01M587283**SA   |
|                |  | Firestone        | 1T15M-4          |
|                |  | Airtech          | 34154-06P 121962 |
|                |  |                  |                  |
|                |  |                  |                  |
|                |  |                  |                  |
|                |  |                  |                  |
|                |  |                  |                  |



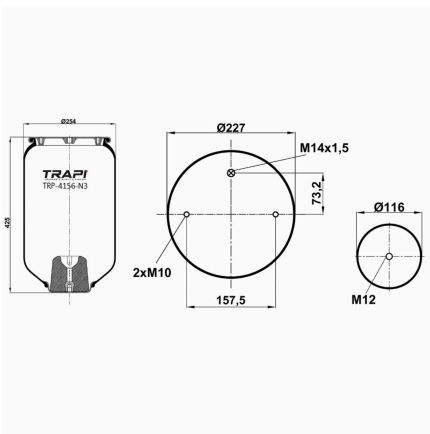
## TRP-4156-N16 AIR SPRING WITHOUT PISTON

| OEM REFERENCES |  | CROSS REFERENCES |          |
|----------------|--|------------------|----------|
|                |  | Contitech        | 4156NP16 |
|                |  |                  |          |
|                |  |                  |          |
|                |  |                  |          |
|                |  |                  |          |
|                |  |                  |          |
|                |  |                  |          |
|                |  |                  |          |



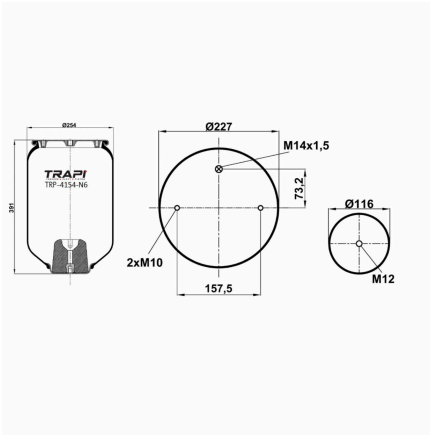
## TRP-4156-N2 AIR SPRING WITHOUT PISTON

| OEM REFERENCES |  | CROSS REFERENCES |              |
|----------------|--|------------------|--------------|
|                |  | Contitech        | 4156NP07**SA |
|                |  |                  |              |
|                |  |                  |              |
|                |  |                  |              |
|                |  |                  |              |
|                |  |                  |              |
|                |  |                  |              |
|                |  |                  |              |



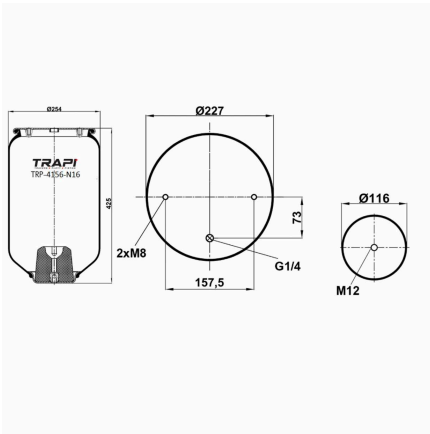
## TRP-4156-N3 AIR SPRING WITHOUT PISTON

| OEM REFERENCES |  | CROSS REFERENCES |            |
|----------------|--|------------------|------------|
|                |  | Firestone        | W013580734 |
|                |  | Firestone        | 1T15M-6    |
|                |  |                  |            |
|                |  |                  |            |
|                |  |                  |            |
|                |  |                  |            |
|                |  |                  |            |
|                |  |                  |            |



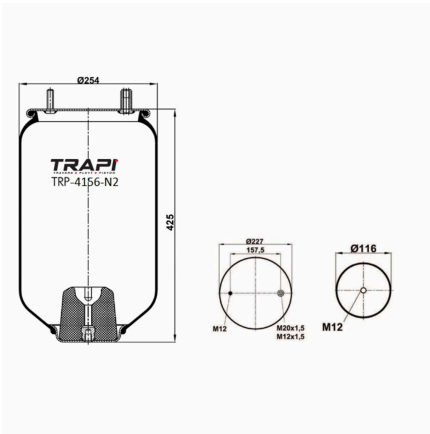
## TRP-4154-N6 AIR SPRING WITHOUT PISTON

| OEM REFERENCES |  | CROSS REFERENCES |                  |
|----------------|--|------------------|------------------|
|                |  | Firestone        | W01M587283**SA   |
|                |  | Firestone        | 1T15M-4          |
|                |  | Airtech          | 34154-06P 121962 |
|                |  |                  |                  |
|                |  |                  |                  |
|                |  |                  |                  |
|                |  |                  |                  |
|                |  |                  |                  |



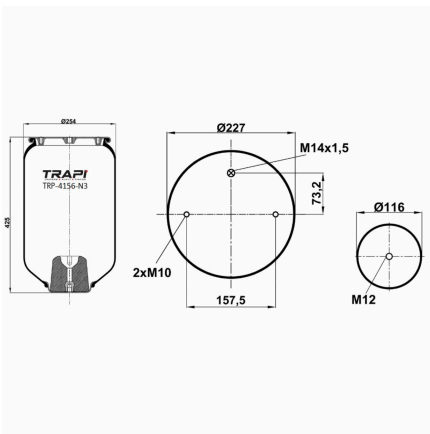
## TRP-4156-N16 AIR SPRING WITHOUT PISTON

| OEM REFERENCES |  | CROSS REFERENCES |          |
|----------------|--|------------------|----------|
|                |  | Contitech        | 4156NP16 |
|                |  |                  |          |
|                |  |                  |          |
|                |  |                  |          |
|                |  |                  |          |
|                |  |                  |          |
|                |  |                  |          |
|                |  |                  |          |



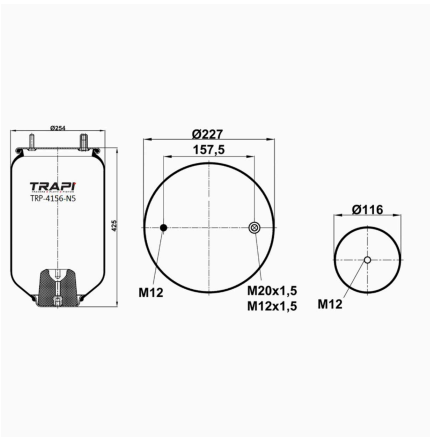
## TRP-4156-N2 AIR SPRING WITHOUT PISTON

| OEM REFERENCES |  | CROSS REFERENCES |              |
|----------------|--|------------------|--------------|
|                |  | Contitech        | 4156NP07**SA |
|                |  |                  |              |
|                |  |                  |              |
|                |  |                  |              |
|                |  |                  |              |
|                |  |                  |              |
|                |  |                  |              |
|                |  |                  |              |



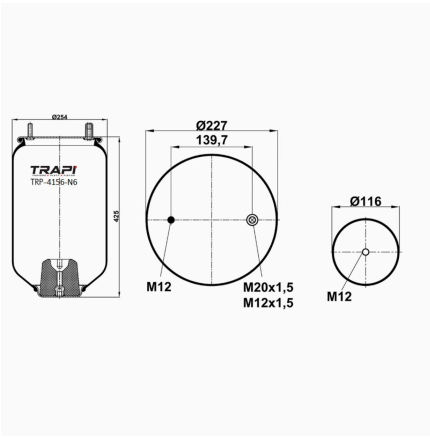
## TRP-4156-N3 AIR SPRING WITHOUT PISTON

| OEM REFERENCES |  | CROSS REFERENCES |            |
|----------------|--|------------------|------------|
|                |  | Firestone        | W013580734 |
|                |  | Firestone        | 1T15M-6    |
|                |  |                  |            |
|                |  |                  |            |
|                |  |                  |            |
|                |  |                  |            |
|                |  |                  |            |
|                |  |                  |            |



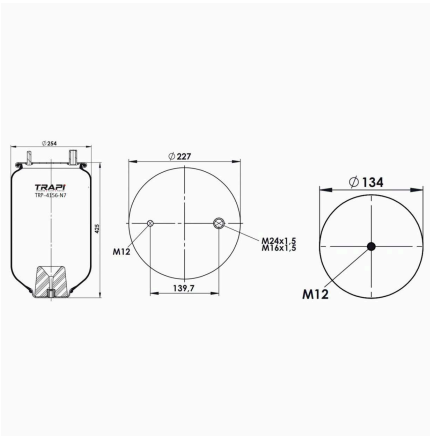
## TRP-4156-N5 AIR SPRING WITHOUT PISTON

| OEM REFERENCES |  | CROSS REFERENCES |                |
|----------------|--|------------------|----------------|
|                |  | Cf Gomma         | 1T323-33 96873 |
|                |  | Airtech          | 34156P 120402  |
|                |  | Contitech        | 4156NP05       |
|                |  |                  |                |
|                |  |                  |                |
|                |  |                  |                |
|                |  |                  |                |
|                |  |                  |                |



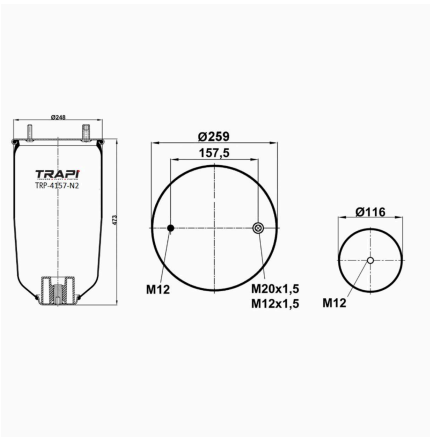
## TRP-4156-N6 AIR SPRING WITHOUT PISTON

| OEM REFERENCES |  | CROSS REFERENCES |                    |
|----------------|--|------------------|--------------------|
|                |  | Airtech          | 34156-02P / 120422 |
|                |  |                  |                    |
|                |  |                  |                    |
|                |  |                  |                    |
|                |  |                  |                    |
|                |  |                  |                    |
|                |  |                  |                    |
|                |  |                  |                    |



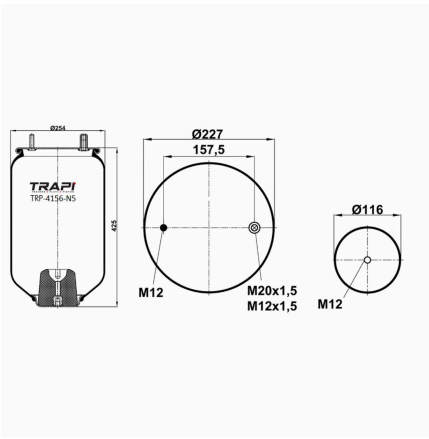
## TRP-4156-N7 AIR SPRING WITHOUT PISTON

| OEM REFERENCES |  | CROSS REFERENCES |  |
|----------------|--|------------------|--|
|                |  |                  |  |
|                |  |                  |  |
|                |  |                  |  |
|                |  |                  |  |
|                |  |                  |  |
|                |  |                  |  |
|                |  |                  |  |
|                |  |                  |  |



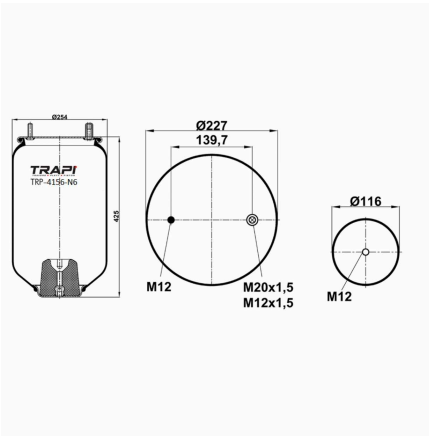
## TRP-4157-N2 AIR SPRING WITHOUT PISTON

| OEM REFERENCES |         | CROSS REFERENCES |                |
|----------------|---------|------------------|----------------|
| SMB            | M060924 | Phoenix          | 1DK20A-51      |
| ACERBI         | 441901  | Firestone        | W01M586315**SA |
| FRUEHAUF       | UJB0975 | Contitech        | 4157NP10**SA   |
|                |         | Phoenix          | 1DK23K-54      |
|                |         | Taurus           | KR915-51       |
|                |         |                  |                |
|                |         |                  |                |
|                |         |                  |                |
|                |         |                  |                |



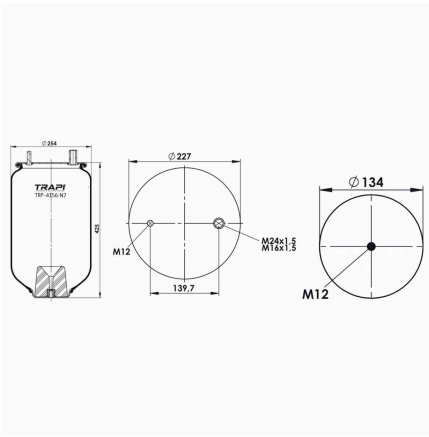
## TRP-4156-N5 AIR SPRING WITHOUT PISTON

| OEM REFERENCES |  | CROSS REFERENCES |                |
|----------------|--|------------------|----------------|
|                |  | Cf Gomma         | 1T323-33 96873 |
|                |  | Airtech          | 34156P 120402  |
|                |  | Contitech        | 4156NP05       |
|                |  |                  |                |
|                |  |                  |                |
|                |  |                  |                |
|                |  |                  |                |



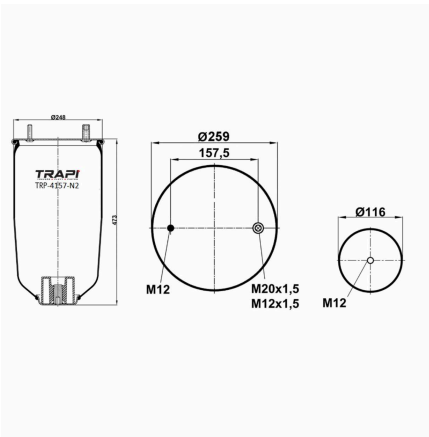
## TRP-4156-N6 AIR SPRING WITHOUT PISTON

| OEM REFERENCES |  | CROSS REFERENCES |                    |
|----------------|--|------------------|--------------------|
|                |  | Airtech          | 34156-02P / 120422 |
|                |  |                  |                    |
|                |  |                  |                    |
|                |  |                  |                    |
|                |  |                  |                    |
|                |  |                  |                    |
|                |  |                  |                    |



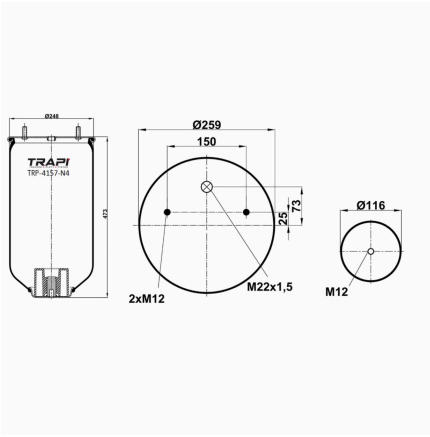
## TRP-4156-N7 AIR SPRING WITHOUT PISTON

| OEM REFERENCES |  | CROSS REFERENCES |  |
|----------------|--|------------------|--|
|                |  |                  |  |
|                |  |                  |  |
|                |  |                  |  |
|                |  |                  |  |
|                |  |                  |  |
|                |  |                  |  |
|                |  |                  |  |



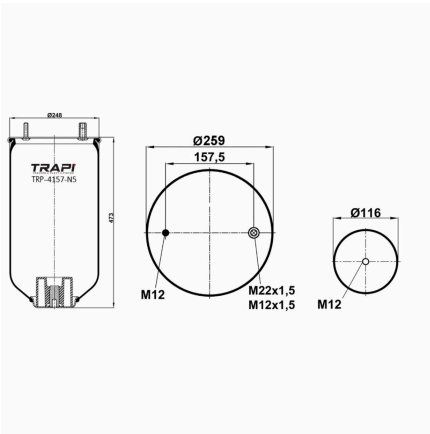
## TRP-4157-N2 AIR SPRING WITHOUT PISTON

| OEM REFERENCES |         | CROSS REFERENCES |                |
|----------------|---------|------------------|----------------|
| SMB            | M060924 | Phoenix          | 1DK20A-51      |
| ACERBI         | 441901  | Firestone        | W01M586315**SA |
| FRUEHAUF       | UJB0975 | Contitech        | 4157NP10**SA   |
|                |         | Phoenix          | 1DK23K-54      |
|                |         | Taurus           | KR915-51       |
|                |         |                  |                |
|                |         |                  |                |
|                |         |                  |                |



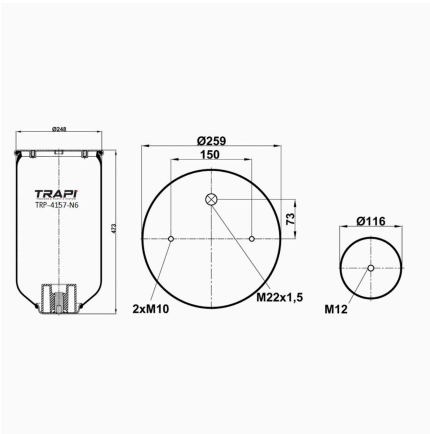
## TRP-4157-N4 AIR SPRING WITHOUT PISTON

| OEM REFERENCES |  | CROSS REFERENCES |              |
|----------------|--|------------------|--------------|
|                |  | Contitech        | 4157NP04**SA |
|                |  |                  |              |
|                |  |                  |              |
|                |  |                  |              |
|                |  |                  |              |
|                |  |                  |              |
|                |  |                  |              |



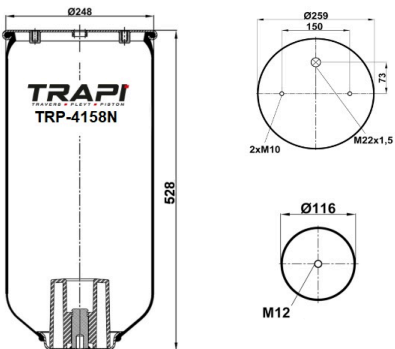
## TRP-4157-N5 AIR SPRING WITHOUT PISTON

| OEM REFERENCES |  | CROSS REFERENCES |                |
|----------------|--|------------------|----------------|
|                |  | Contitech        | 4157 N P05**SA |
|                |  | Contitech        | 4157 N P02     |
|                |  |                  |                |
|                |  |                  |                |
|                |  |                  |                |
|                |  |                  |                |
|                |  |                  |                |



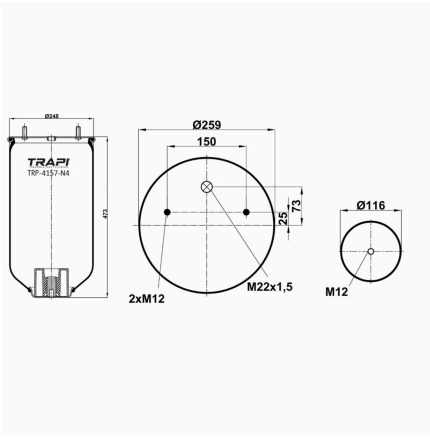
## TRP-4157-N6 AIR SPRING WITHOUT PISTON

| OEM REFERENCES |  | CROSS REFERENCES |              |
|----------------|--|------------------|--------------|
|                |  | Firestone        | W01 M58 8194 |
|                |  | Contitech        | 4157NP06**SA |
|                |  |                  |              |
|                |  |                  |              |
|                |  |                  |              |
|                |  |                  |              |
|                |  |                  |              |



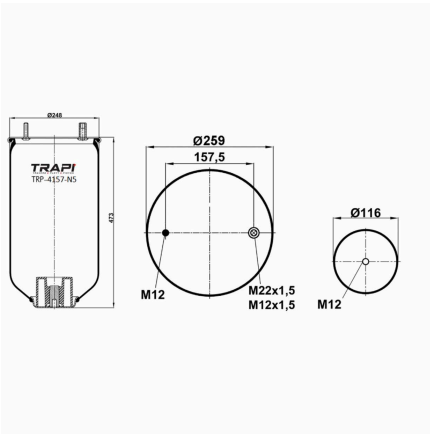
## TRP-4158-N AIR SPRING WITHOUT PISTON

| OEM REFERENCES |  | CROSS REFERENCES |  |
|----------------|--|------------------|--|
|                |  |                  |  |
|                |  |                  |  |
|                |  |                  |  |
|                |  |                  |  |
|                |  |                  |  |
|                |  |                  |  |
|                |  |                  |  |



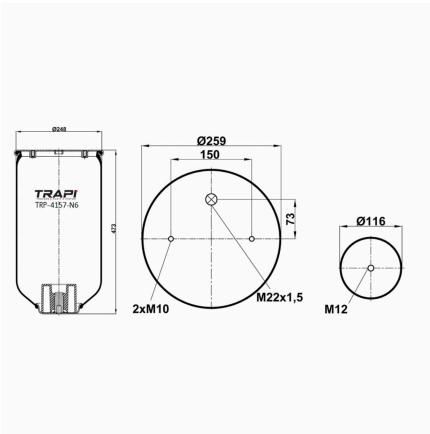
## TRP-4157-N4 AIR SPRING WITHOUT PISTON

| OEM REFERENCES |  | CROSS REFERENCES |              |
|----------------|--|------------------|--------------|
|                |  | Contitech        | 4157NP04**SA |
|                |  |                  |              |
|                |  |                  |              |
|                |  |                  |              |
|                |  |                  |              |
|                |  |                  |              |
|                |  |                  |              |
|                |  |                  |              |
|                |  |                  |              |
|                |  |                  |              |



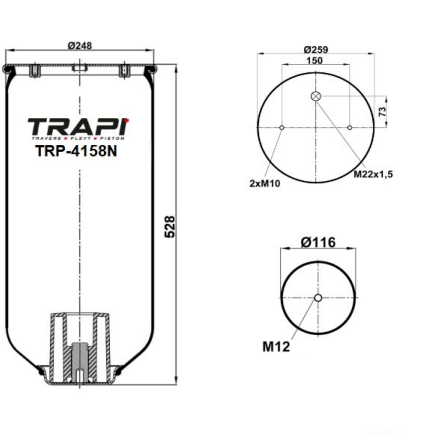
## TRP-4157-N5 AIR SPRING WITHOUT PISTON

| OEM REFERENCES |  | CROSS REFERENCES |                |
|----------------|--|------------------|----------------|
|                |  | Contitech        | 4157 N P05**SA |
|                |  | Contitech        | 4157 N P02     |
|                |  |                  |                |
|                |  |                  |                |
|                |  |                  |                |
|                |  |                  |                |
|                |  |                  |                |
|                |  |                  |                |
|                |  |                  |                |
|                |  |                  |                |
|                |  |                  |                |



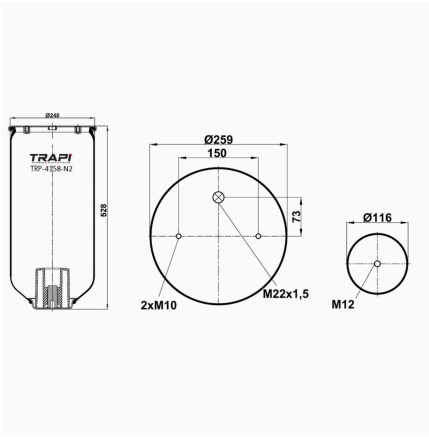
## TRP-4157-N6 AIR SPRING WITHOUT PISTON

| OEM REFERENCES |  | CROSS REFERENCES |              |
|----------------|--|------------------|--------------|
|                |  | Firestone        | W01 M58 8194 |
|                |  | Contitech        | 4157NP06**SA |
|                |  |                  |              |
|                |  |                  |              |
|                |  |                  |              |
|                |  |                  |              |
|                |  |                  |              |
|                |  |                  |              |
|                |  |                  |              |
|                |  |                  |              |
|                |  |                  |              |



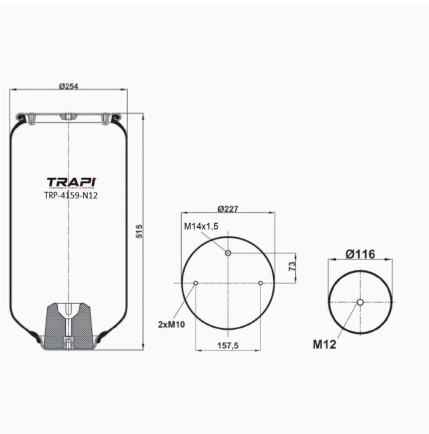
## TRP-4158-N AIR SPRING WITHOUT PISTON

| OEM REFERENCES |  | CROSS REFERENCES |  |
|----------------|--|------------------|--|
|                |  |                  |  |
|                |  |                  |  |
|                |  |                  |  |
|                |  |                  |  |
|                |  |                  |  |
|                |  |                  |  |
|                |  |                  |  |
|                |  |                  |  |
|                |  |                  |  |
|                |  |                  |  |
|                |  |                  |  |



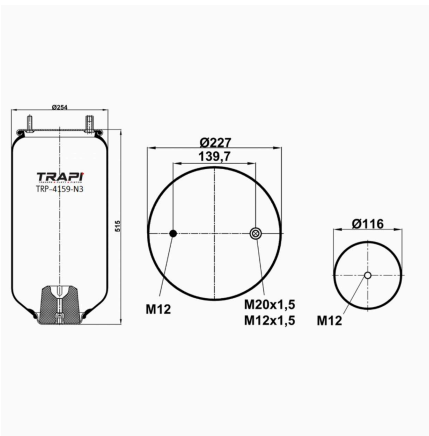
## TRP-4158-N2 AIR SPRING WITHOUT PISTON

| OEM REFERENCES   |         | CROSS REFERENCES |            |
|------------------|---------|------------------|------------|
| SCHMITZ-ANHANGER | 750999  | Contitech        | 4158NP02   |
| WEWELER          | US06285 | Dunlop           | D12U23     |
|                  |         | Firestone        | W01M586257 |
|                  |         | Firestone        | 1T15MPW-9  |
|                  |         | Phoenix          | 1DK20B-INP |
|                  |         |                  |            |
|                  |         |                  |            |
|                  |         |                  |            |
|                  |         |                  |            |



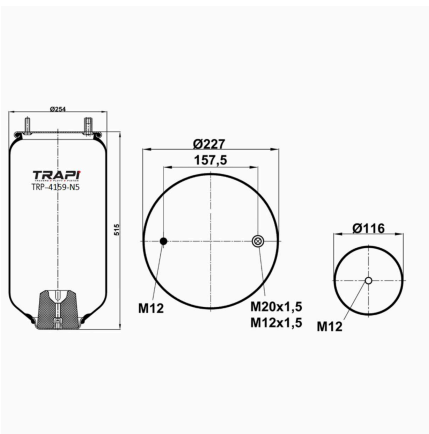
## TRP-4159-N12 AIR SPRING WITHOUT PISTON

| OEM REFERENCES |  | CROSS REFERENCES |                  |
|----------------|--|------------------|------------------|
|                |  | Firestone        | W01 M58 7348**SA |
|                |  |                  |                  |
|                |  |                  |                  |
|                |  |                  |                  |
|                |  |                  |                  |
|                |  |                  |                  |
|                |  |                  |                  |
|                |  |                  |                  |



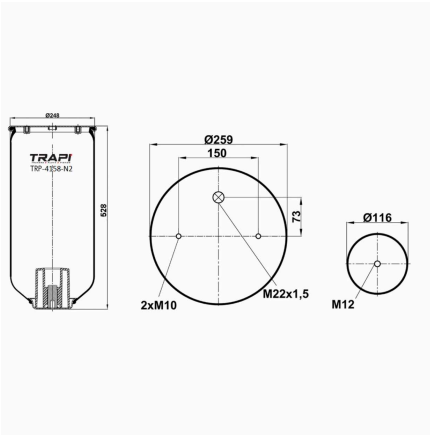
## TRP-4159-N3 AIR SPRING WITHOUT PISTON

| OEM REFERENCES |           | CROSS REFERENCES |                  |
|----------------|-----------|------------------|------------------|
| NEWAY          | M00557007 | Airtech          | 34159-03P 121422 |
|                |           |                  |                  |
|                |           |                  |                  |
|                |           |                  |                  |
|                |           |                  |                  |
|                |           |                  |                  |
|                |           |                  |                  |
|                |           |                  |                  |



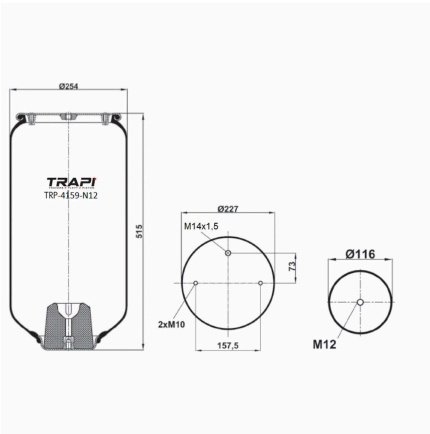
## TRP-4159-N5 AIR SPRING WITHOUT PISTON

| OEM REFERENCES |  | CROSS REFERENCES |            |
|----------------|--|------------------|------------|
|                |  | Springride       | D12U04     |
|                |  | Firestone        | 1T15M-9    |
|                |  | Goodyear         | 1R12-761   |
|                |  | Firestone        | W01M580736 |
|                |  | Contitech        | 4159NP05   |
|                |  | Phoenix          | 1DK21B-5   |
|                |  |                  |            |
|                |  |                  |            |
|                |  |                  |            |



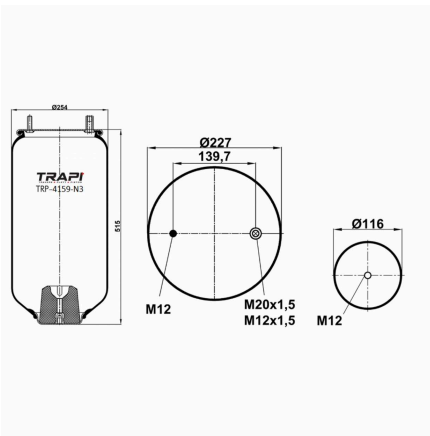
## TRP-4158-N2 AIR SPRING WITHOUT PISTON

| OEM REFERENCES   |         | CROSS REFERENCES |            |
|------------------|---------|------------------|------------|
| SCHMITZ-ANHANGER | 750999  | Contitech        | 4158NP02   |
| WEWELER          | US06285 | Dunlop           | D12U23     |
|                  |         | Firestone        | W01M586257 |
|                  |         | Firestone        | 1T15MPW-9  |
|                  |         | Phoenix          | 1DK20B-INP |
|                  |         |                  |            |
|                  |         |                  |            |
|                  |         |                  |            |
|                  |         |                  |            |



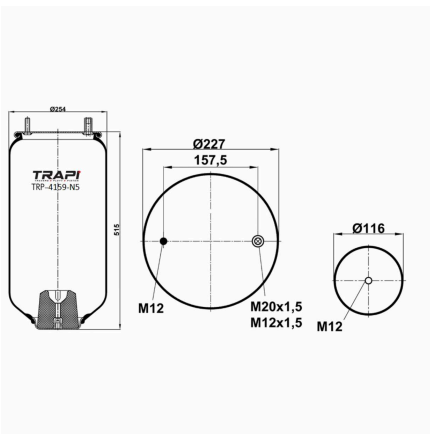
## TRP-4159-N12 AIR SPRING WITHOUT PISTON

| OEM REFERENCES |  | CROSS REFERENCES |                  |
|----------------|--|------------------|------------------|
|                |  | Firestone        | W01 M58 7348**SA |
|                |  |                  |                  |
|                |  |                  |                  |
|                |  |                  |                  |
|                |  |                  |                  |
|                |  |                  |                  |
|                |  |                  |                  |
|                |  |                  |                  |



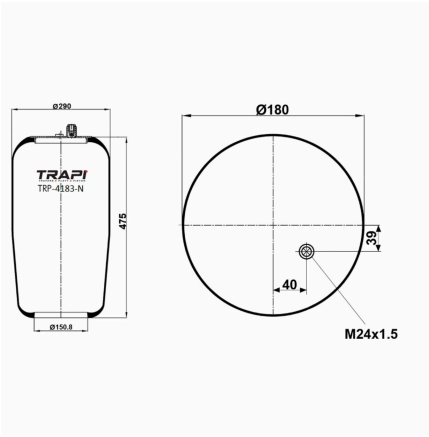
## TRP-4159-N3 AIR SPRING WITHOUT PISTON

| OEM REFERENCES |           | CROSS REFERENCES |                  |
|----------------|-----------|------------------|------------------|
| NEWAY          | M00557007 | Airtech          | 34159-03P 121422 |
|                |           |                  |                  |
|                |           |                  |                  |
|                |           |                  |                  |
|                |           |                  |                  |
|                |           |                  |                  |
|                |           |                  |                  |
|                |           |                  |                  |



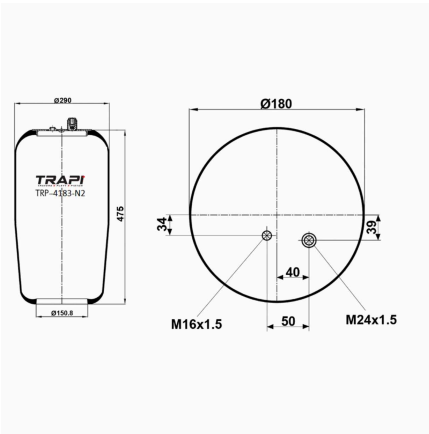
## TRP-4159-N5 AIR SPRING WITHOUT PISTON

| OEM REFERENCES |  | CROSS REFERENCES |            |
|----------------|--|------------------|------------|
|                |  | Springride       | D12U04     |
|                |  | Firestone        | 1T15M-9    |
|                |  | Goodyear         | 1R12-761   |
|                |  | Firestone        | W01M580736 |
|                |  | Contitech        | 4159NP05   |
|                |  | Phoenix          | 1DK21B-5   |
|                |  |                  |            |
|                |  |                  |            |
|                |  |                  |            |



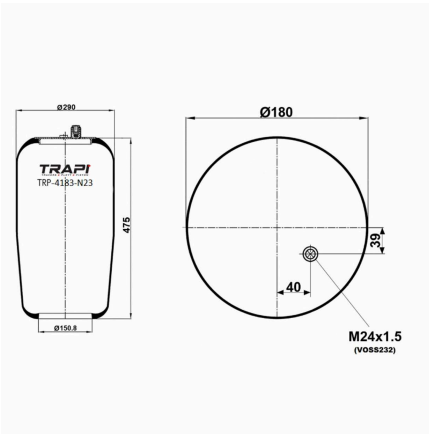
## TRP-4183-N AIR SPRING WITHOUT PISTON

| OEM REFERENCES |  | CROSS REFERENCES |         |
|----------------|--|------------------|---------|
|                |  | Contitech        | 4183 N3 |
|                |  | Contitech        | 4183 N2 |
|                |  |                  |         |
|                |  |                  |         |
|                |  |                  |         |
|                |  |                  |         |
|                |  |                  |         |



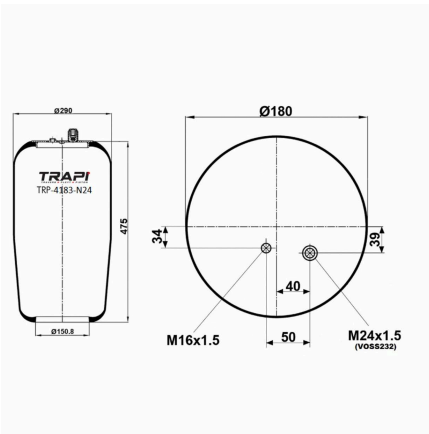
## TRP-4183-N2 AIR SPRING WITHOUT PISTON

| OEM REFERENCES |  | CROSS REFERENCES |         |
|----------------|--|------------------|---------|
|                |  | Contitech        | 4183 N1 |
|                |  | Contitech        | 4183 N4 |
|                |  |                  |         |
|                |  |                  |         |
|                |  |                  |         |
|                |  |                  |         |
|                |  |                  |         |



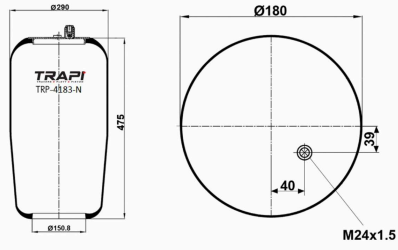
## TRP-4183-N23 AIR SPRING WITHOUT PISTON

| OEM REFERENCES |  | CROSS REFERENCES |               |
|----------------|--|------------------|---------------|
|                |  | Contitech        | 4183 NP23**SA |
|                |  |                  |               |
|                |  |                  |               |
|                |  |                  |               |
|                |  |                  |               |
|                |  |                  |               |
|                |  |                  |               |



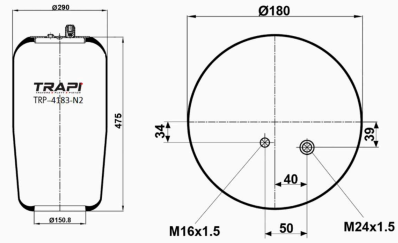
## TRP-4183-N24 AIR SPRING WITHOUT PISTON

| OEM REFERENCES |  | CROSS REFERENCES |               |
|----------------|--|------------------|---------------|
|                |  | Contitech        | 4183 NP24**SA |
|                |  |                  |               |
|                |  |                  |               |
|                |  |                  |               |
|                |  |                  |               |
|                |  |                  |               |
|                |  |                  |               |



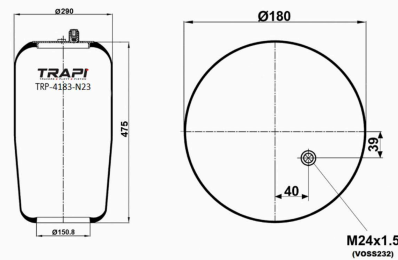
## TRP-4183-N AIR SPRING WITHOUT PISTON

| OEM REFERENCES |  | CROSS REFERENCES |         |
|----------------|--|------------------|---------|
|                |  | Contitech        | 4183 N3 |
|                |  | Contitech        | 4183 N2 |
|                |  |                  |         |
|                |  |                  |         |
|                |  |                  |         |
|                |  |                  |         |
|                |  |                  |         |



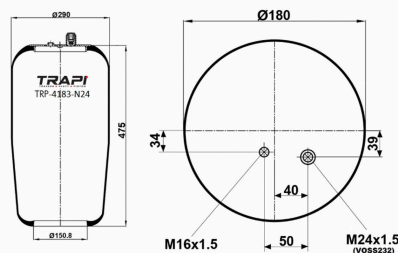
## TRP-4183-N2 AIR SPRING WITHOUT PISTON

| OEM REFERENCES |  | CROSS REFERENCES |         |
|----------------|--|------------------|---------|
|                |  | Contitech        | 4183 N1 |
|                |  | Contitech        | 4183 N4 |
|                |  |                  |         |
|                |  |                  |         |
|                |  |                  |         |
|                |  |                  |         |
|                |  |                  |         |



## TRP-4183-N23 AIR SPRING WITHOUT PISTON

| OEM REFERENCES |  | CROSS REFERENCES |               |
|----------------|--|------------------|---------------|
|                |  | Contitech        | 4183 NP23**SA |
|                |  |                  |               |
|                |  |                  |               |
|                |  |                  |               |
|                |  |                  |               |
|                |  |                  |               |
|                |  |                  |               |



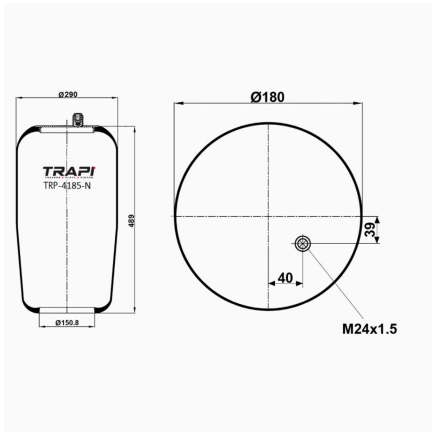
## TRP-4183-N24 AIR SPRING WITHOUT PISTON

| OEM REFERENCES |  | CROSS REFERENCES |               |
|----------------|--|------------------|---------------|
|                |  | Contitech        | 4183 NP24**SA |
|                |  |                  |               |
|                |  |                  |               |
|                |  |                  |               |
|                |  |                  |               |
|                |  |                  |               |
|                |  |                  |               |



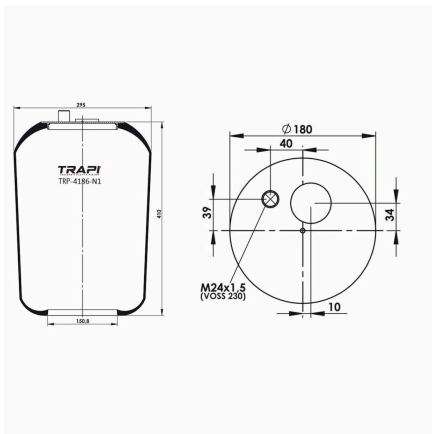
## TRP-4184-N AIR SPRING WITHOUT PISTON

| OEM REFERENCES |                     | CROSS REFERENCES |                  |
|----------------|---------------------|------------------|------------------|
| MERCEDES       | 942 320 47 21 ** SA | CONTITECH        | 4184 N P22 ** SA |
| MERCEDES       | 942 320 08 17 ** SA |                  |                  |
|                |                     |                  |                  |
|                |                     |                  |                  |
|                |                     |                  |                  |
|                |                     |                  |                  |
|                |                     |                  |                  |
|                |                     |                  |                  |



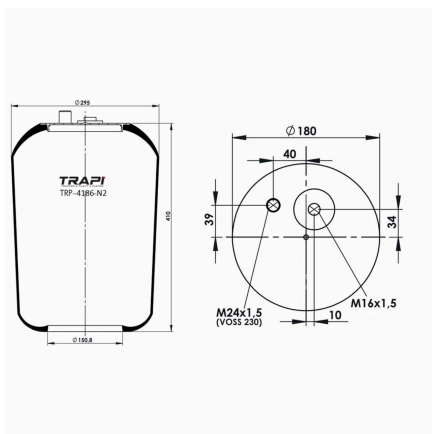
## TRP-4185-N AIR SPRING WITHOUT PISTON

| OEM REFERENCES |             | CROSS REFERENCES |        |
|----------------|-------------|------------------|--------|
| MERCEDES-BENZ  | A9743280201 | Contitech        | 4185 N |
|                |             |                  |        |
|                |             |                  |        |
|                |             |                  |        |
|                |             |                  |        |
|                |             |                  |        |
|                |             |                  |        |
|                |             |                  |        |



## TRP-4186-N1 AIR SPRING WITHOUT PISTON

| OEM REFERENCES   |                 | CROSS REFERENCES |                         |
|------------------|-----------------|------------------|-------------------------|
| DAIMLER CHRYSLER | A 942 320 16 21 | Airtech          | 34186-01K**SA (Voss230) |
|                  |                 | Contitech        | 4186 NP01 (Voss230)     |
|                  |                 |                  |                         |
|                  |                 |                  |                         |
|                  |                 |                  |                         |
|                  |                 |                  |                         |
|                  |                 |                  |                         |
|                  |                 |                  |                         |



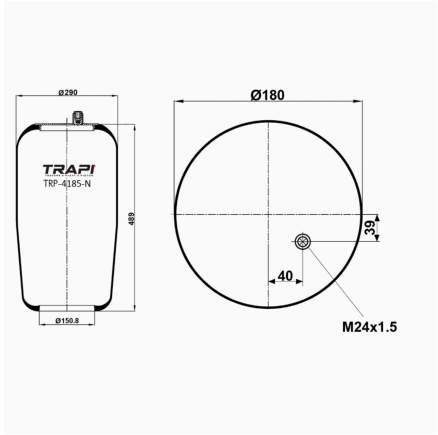
## TRP-4186-N2 AIR SPRING WITHOUT PISTON

| OEM REFERENCES   |                 | CROSS REFERENCES |                         |
|------------------|-----------------|------------------|-------------------------|
| DAIMLER CHRYSLER | A 942 320 17 21 | Airtech          | 34186-02K**SA (Voss230) |
|                  |                 | Contitech        | 4186 NP02 (Voss230)     |
|                  |                 |                  |                         |
|                  |                 |                  |                         |
|                  |                 |                  |                         |
|                  |                 |                  |                         |
|                  |                 |                  |                         |
|                  |                 |                  |                         |



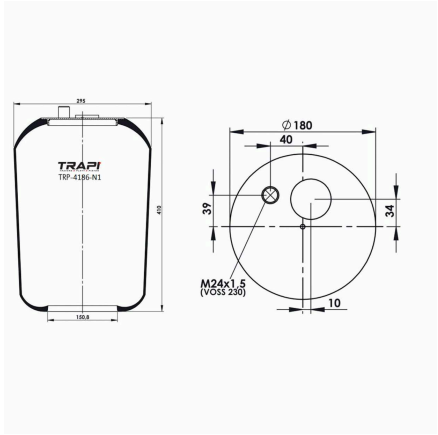
## TRP-4184-N AIR SPRING WITHOUT PISTON

| OEM REFERENCES |                     | CROSS REFERENCES |                  |
|----------------|---------------------|------------------|------------------|
| MERCEDES       | 942 320 47 21 ** SA | CONTITECH        | 4184 N P22 ** SA |
| MERCEDES       | 942 320 08 17 ** SA |                  |                  |
|                |                     |                  |                  |
|                |                     |                  |                  |
|                |                     |                  |                  |
|                |                     |                  |                  |
|                |                     |                  |                  |
|                |                     |                  |                  |



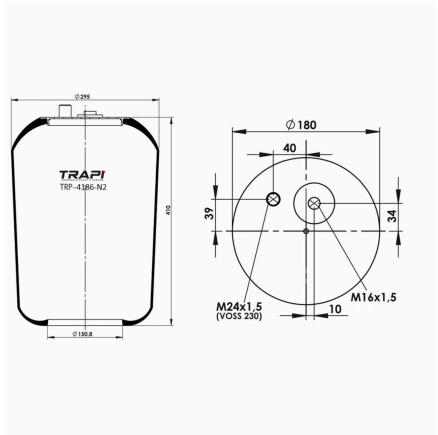
## TRP-4185-N AIR SPRING WITHOUT PISTON

| OEM REFERENCES |             | CROSS REFERENCES |        |
|----------------|-------------|------------------|--------|
| MERCEDES-BENZ  | A9743280201 | Contitech        | 4185 N |
|                |             |                  |        |
|                |             |                  |        |
|                |             |                  |        |
|                |             |                  |        |
|                |             |                  |        |
|                |             |                  |        |
|                |             |                  |        |



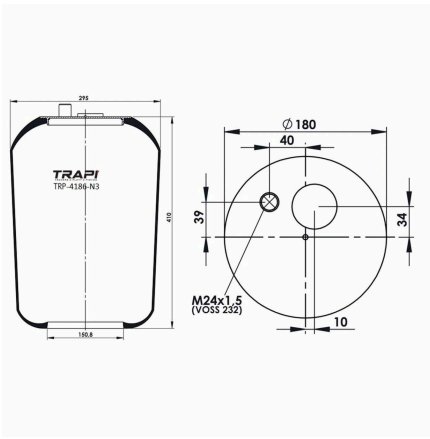
## TRP-4186-N1 AIR SPRING WITHOUT PISTON

| OEM REFERENCES   |                 | CROSS REFERENCES |                         |
|------------------|-----------------|------------------|-------------------------|
| DAIMLER CHRYSLER | A 942 320 16 21 | Airtech          | 34186-01K**SA (Voss230) |
|                  |                 | Contitech        | 4186 NP01 (Voss230)     |
|                  |                 |                  |                         |
|                  |                 |                  |                         |
|                  |                 |                  |                         |
|                  |                 |                  |                         |
|                  |                 |                  |                         |
|                  |                 |                  |                         |



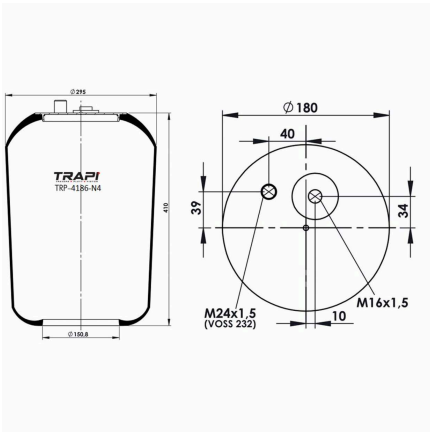
## TRP-4186-N2 AIR SPRING WITHOUT PISTON

| OEM REFERENCES   |                 | CROSS REFERENCES |                         |
|------------------|-----------------|------------------|-------------------------|
| DAIMLER CHRYSLER | A 942 320 17 21 | Airtech          | 34186-02K**SA (Voss230) |
|                  |                 | Contitech        | 4186 NP02 (Voss230)     |
|                  |                 |                  |                         |
|                  |                 |                  |                         |
|                  |                 |                  |                         |
|                  |                 |                  |                         |
|                  |                 |                  |                         |
|                  |                 |                  |                         |



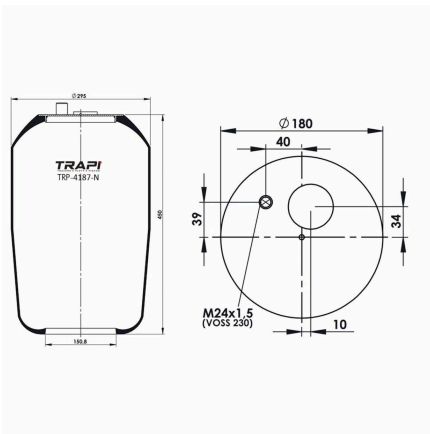
## TRP-4186-N3 AIR SPRING WITHOUT PISTON

| OEM REFERENCES   |                 | CROSS REFERENCES |                         |
|------------------|-----------------|------------------|-------------------------|
| DAIMLER CHRYSLER | A 942 320 70 21 | Airtech          | 34186-23K**SA (Voss232) |
| DAIMLER CHRYSLER | A 942 320 24 21 | Contitech        | 4186 NP23**SA (Voss232) |
|                  |                 | Contitech        | 4186 NP21**SA (Voss232) |
|                  |                 |                  |                         |
|                  |                 |                  |                         |
|                  |                 |                  |                         |
|                  |                 |                  |                         |
|                  |                 |                  |                         |



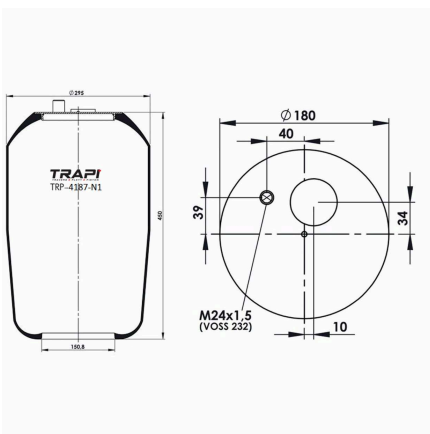
## TRP-4186-N4 AIR SPRING WITHOUT PISTON

| OEM REFERENCES   |                 | CROSS REFERENCES |                         |
|------------------|-----------------|------------------|-------------------------|
| DAIMLER CHRYSLER | A 942 320 71 21 | Airtech          | 34186-24K**SA (Voss232) |
| DAIMLER CHRYSLER | A 942 320 25 21 | Contitech        | 4186 NP22 (Voss232)     |
|                  |                 | Contitech        | 4186 NP24 (Voss232)     |
|                  |                 |                  |                         |
|                  |                 |                  |                         |
|                  |                 |                  |                         |
|                  |                 |                  |                         |
|                  |                 |                  |                         |



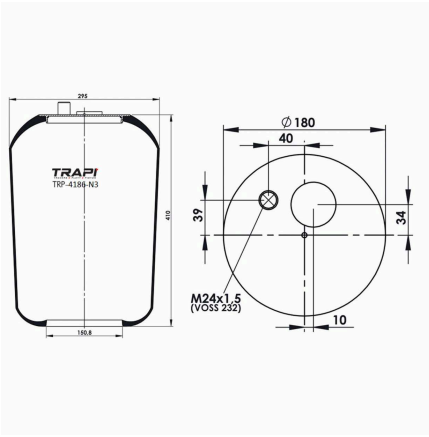
## TRP-4187-N AIR SPRING WITHOUT PISTON

| OEM REFERENCES   |                 | CROSS REFERENCES |                         |
|------------------|-----------------|------------------|-------------------------|
| DAIMLER CHRYSLER | A 942 320 18 21 | Airtech          | 34187-01K**SA (Voss230) |
|                  |                 | Contitech        | 4187 NP01 (Voss230)     |
|                  |                 |                  |                         |
|                  |                 |                  |                         |
|                  |                 |                  |                         |
|                  |                 |                  |                         |
|                  |                 |                  |                         |
|                  |                 |                  |                         |



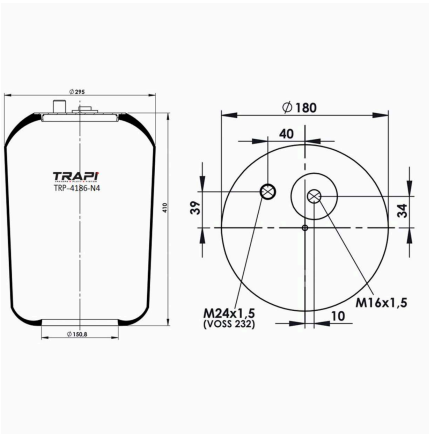
## TRP-4187-N1 AIR SPRING WITHOUT PISTON

| OEM REFERENCES   |                 | CROSS REFERENCES |                         |
|------------------|-----------------|------------------|-------------------------|
| DAIMLER CHRYSLER | A 942 320 72 21 | Airtech          | 34187-21K**SA (Voss232) |
| DAIMLER CHRYSLER | A 942 320 26 21 | Contitech        | 4187 NP23 (Voss232)     |
|                  |                 | Contitech        | 4187 NP21 (Voss232)     |
|                  |                 |                  |                         |
|                  |                 |                  |                         |
|                  |                 |                  |                         |
|                  |                 |                  |                         |
|                  |                 |                  |                         |



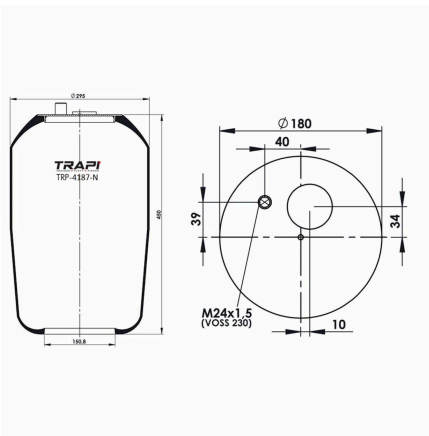
## TRP-4186-N3 AIR SPRING WITHOUT PISTON

| OEM REFERENCES   |                 | CROSS REFERENCES |                         |
|------------------|-----------------|------------------|-------------------------|
| DAIMLER CHRYSLER | A 942 320 70 21 | Airtech          | 34186-23K**SA (Voss232) |
| DAIMLER CHRYSLER | A 942 320 24 21 | Contitech        | 4186 NP23**SA (Voss232) |
|                  |                 | Contitech        | 4186 NP21**SA (Voss232) |
|                  |                 |                  |                         |
|                  |                 |                  |                         |
|                  |                 |                  |                         |
|                  |                 |                  |                         |
|                  |                 |                  |                         |



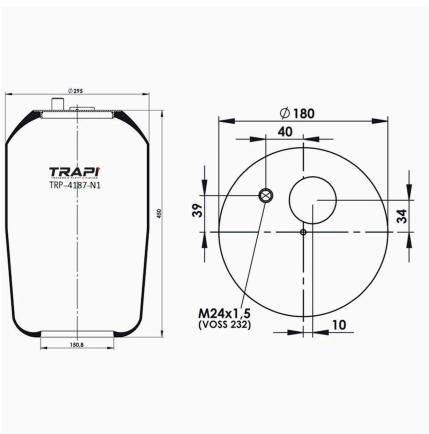
## TRP-4186-N4 AIR SPRING WITHOUT PISTON

| OEM REFERENCES   |                 | CROSS REFERENCES |                         |
|------------------|-----------------|------------------|-------------------------|
| DAIMLER CHRYSLER | A 942 320 71 21 | Airtech          | 34186-24K**SA (Voss232) |
| DAIMLER CHRYSLER | A 942 320 25 21 | Contitech        | 4186 NP22 (Voss232)     |
|                  |                 | Contitech        | 4186 NP24 (Voss232)     |
|                  |                 |                  |                         |
|                  |                 |                  |                         |
|                  |                 |                  |                         |
|                  |                 |                  |                         |
|                  |                 |                  |                         |



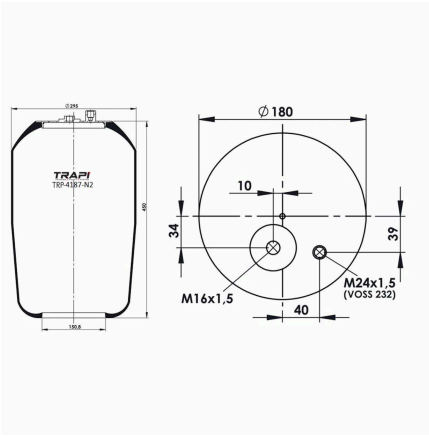
## TRP-4187-N AIR SPRING WITHOUT PISTON

| OEM REFERENCES   |                 | CROSS REFERENCES |                         |
|------------------|-----------------|------------------|-------------------------|
| DAIMLER CHRYSLER | A 942 320 18 21 | Airtech          | 34187-01K**SA (Voss230) |
|                  |                 | Contitech        | 4187 NP01 (Voss230)     |
|                  |                 |                  |                         |
|                  |                 |                  |                         |
|                  |                 |                  |                         |
|                  |                 |                  |                         |
|                  |                 |                  |                         |
|                  |                 |                  |                         |



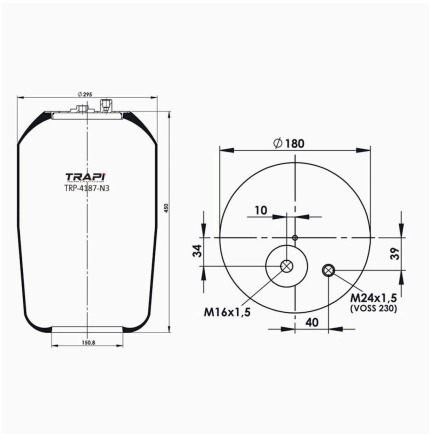
## TRP-4187-N1 AIR SPRING WITHOUT PISTON

| OEM REFERENCES   |                 | CROSS REFERENCES |                         |
|------------------|-----------------|------------------|-------------------------|
| DAIMLER CHRYSLER | A 942 320 72 21 | Airtech          | 34187-21K**SA (Voss232) |
| DAIMLER CHRYSLER | A 942 320 26 21 | Contitech        | 4187 NP23 (Voss232)     |
|                  |                 | Contitech        | 4187 NP21 (Voss232)     |
|                  |                 |                  |                         |
|                  |                 |                  |                         |
|                  |                 |                  |                         |
|                  |                 |                  |                         |
|                  |                 |                  |                         |



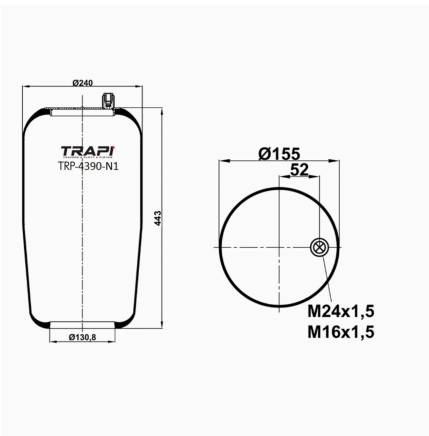
## TRP-4187-N2 AIR SPRING WITHOUT PISTON

| OEM REFERENCES   |                 | CROSS REFERENCES |                         |
|------------------|-----------------|------------------|-------------------------|
| DAIMLER CHRYSLER | A 942 320 73 21 | Airtech          | 34187-22K**SA (Voss232) |
| DAIMLER CHRYSLER | A 942 320 27 21 | Contitech        | 4187 NP24 (Voss232)     |
|                  |                 | Contitech        | 4187 NP22 (Voss232)     |
|                  |                 |                  |                         |
|                  |                 |                  |                         |
|                  |                 |                  |                         |
|                  |                 |                  |                         |
|                  |                 |                  |                         |



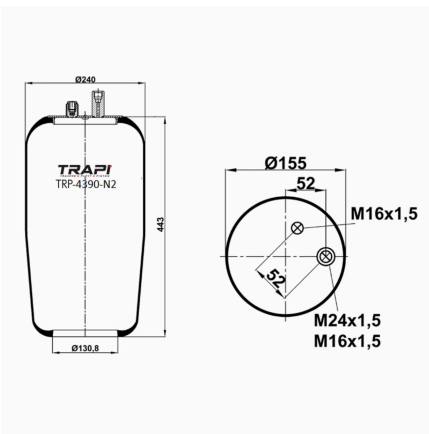
## TRP-4187-N3 AIR SPRING WITHOUT PISTON

| OEM REFERENCES   |                 | CROSS REFERENCES |                         |
|------------------|-----------------|------------------|-------------------------|
| DAIMLER CHRYSLER | A 942 320 19 21 | Contitech        | 4187 NP02**SA (Voss230) |
|                  |                 |                  |                         |
|                  |                 |                  |                         |
|                  |                 |                  |                         |
|                  |                 |                  |                         |
|                  |                 |                  |                         |
|                  |                 |                  |                         |
|                  |                 |                  |                         |



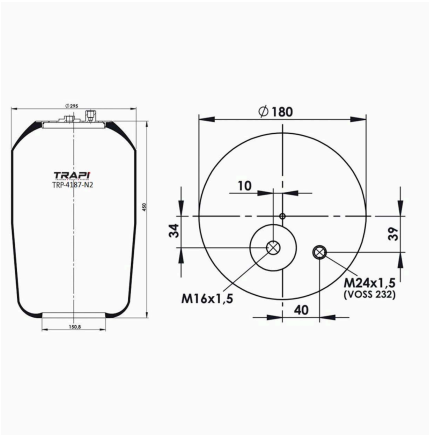
## TRP-4390-N1 AIR SPRING WITHOUT PISTON

| OEM REFERENCES |             | CROSS REFERENCES |           |
|----------------|-------------|------------------|-----------|
| MERCEDES-BENZ  | A9423280001 | Contitech        | 4390N1    |
|                |             | Goodyear         | 9507      |
|                |             | Springride       | D12U25    |
|                |             | Cf Gomma         | 1VSC28530 |
|                |             |                  |           |
|                |             |                  |           |
|                |             |                  |           |
|                |             |                  |           |



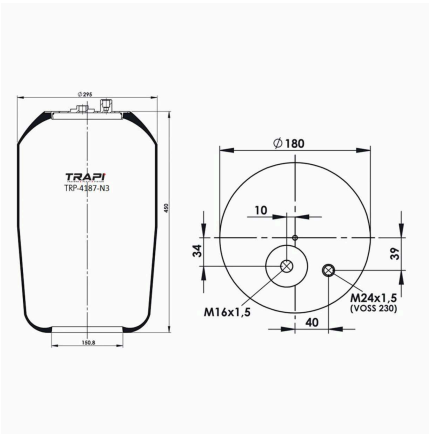
## TRP-4390-N2 AIR SPRING WITHOUT PISTON

| OEM REFERENCES |               | CROSS REFERENCES |           |
|----------------|---------------|------------------|-----------|
| MERCEDES-BENZ  | A9423280101   | Cf Gomma         | 1VSC28530 |
| MERCEDES       | 942 328 05 01 | Contitech        | 4390N2    |
|                |               | Goodyear         | 9508      |
|                |               | Springride       | D12U26    |
|                |               |                  |           |
|                |               |                  |           |
|                |               |                  |           |
|                |               |                  |           |



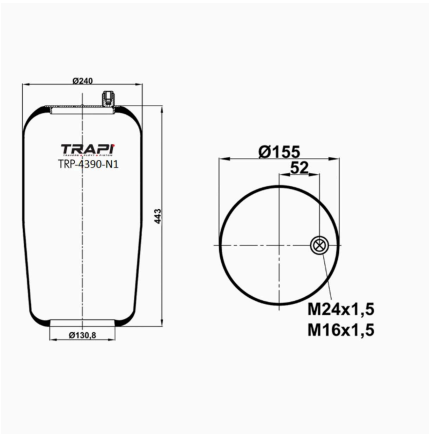
## TRP-4187-N2 AIR SPRING WITHOUT PISTON

| OEM REFERENCES   |                 | CROSS REFERENCES |                         |
|------------------|-----------------|------------------|-------------------------|
| DAIMLER CHRYSLER | A 942 320 73 21 | Airtech          | 34187-22K**SA (Voss232) |
| DAIMLER CHRYSLER | A 942 320 27 21 | Contitech        | 4187 NP24 (Voss232)     |
|                  |                 | Contitech        | 4187 NP22 (Voss232)     |
|                  |                 |                  |                         |
|                  |                 |                  |                         |
|                  |                 |                  |                         |
|                  |                 |                  |                         |
|                  |                 |                  |                         |



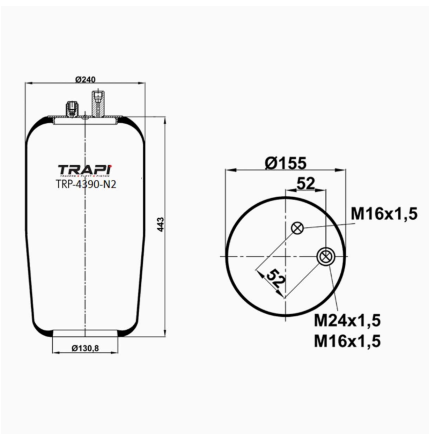
## TRP-4187-N3 AIR SPRING WITHOUT PISTON

| OEM REFERENCES   |                 | CROSS REFERENCES |                         |
|------------------|-----------------|------------------|-------------------------|
| DAIMLER CHRYSLER | A 942 320 19 21 | Contitech        | 4187 NP02**SA (Voss230) |
|                  |                 |                  |                         |
|                  |                 |                  |                         |
|                  |                 |                  |                         |
|                  |                 |                  |                         |
|                  |                 |                  |                         |
|                  |                 |                  |                         |
|                  |                 |                  |                         |



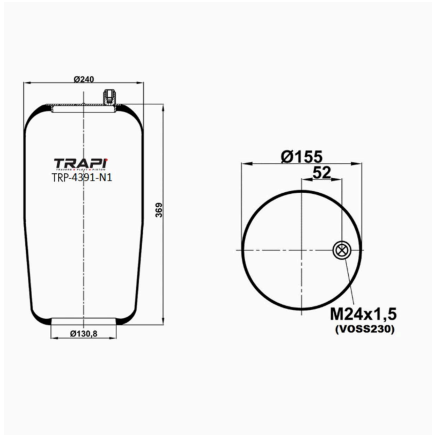
## TRP-4390-N1 AIR SPRING WITHOUT PISTON

| OEM REFERENCES |             | CROSS REFERENCES |           |
|----------------|-------------|------------------|-----------|
| MERCEDES-BENZ  | A9423280001 | Contitech        | 4390N1    |
|                |             | Goodyear         | 9507      |
|                |             | Springride       | D12U25    |
|                |             | Cf Gomma         | 1VSC28530 |
|                |             |                  |           |
|                |             |                  |           |
|                |             |                  |           |
|                |             |                  |           |



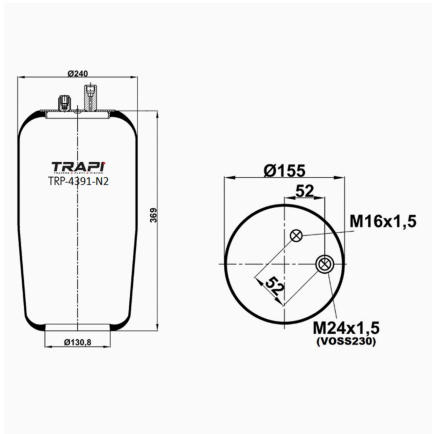
## TRP-4390-N2 AIR SPRING WITHOUT PISTON

| OEM REFERENCES |               | CROSS REFERENCES |           |
|----------------|---------------|------------------|-----------|
| MERCEDES-BENZ  | A9423280101   | Cf Gomma         | 1VSC28530 |
| MERCEDES       | 942 328 05 01 | Contitech        | 4390N2    |
|                |               | Goodyear         | 9508      |
|                |               | Springride       | D12U26    |
|                |               |                  |           |
|                |               |                  |           |
|                |               |                  |           |
|                |               |                  |           |



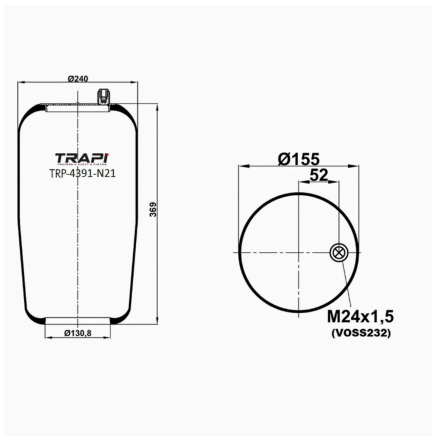
## TRP-4391-N1 AIR SPRING WITHOUT PISTON

| OEM REFERENCES |             | CROSS REFERENCES |        |
|----------------|-------------|------------------|--------|
| MERCEDES-BENZ  | A9423280601 | Contitech        | 4391N1 |
|                |             |                  |        |
|                |             |                  |        |
|                |             |                  |        |
|                |             |                  |        |
|                |             |                  |        |



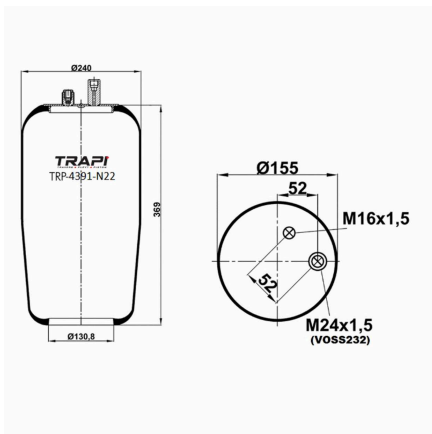
## TRP-4391-N2 AIR SPRING WITHOUT PISTON

| OEM REFERENCES |             | CROSS REFERENCES |        |
|----------------|-------------|------------------|--------|
| MERCEDES-BENZ  | A9423280701 | Contitech        | 4391N2 |
|                |             |                  |        |
|                |             |                  |        |
|                |             |                  |        |
|                |             |                  |        |
|                |             |                  |        |



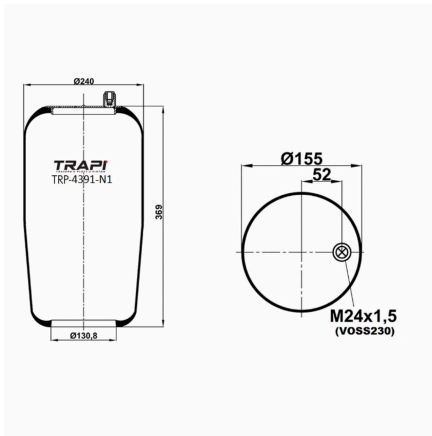
## TRP-4391-N21 AIR SPRING WITHOUT PISTON

| OEM REFERENCES |  | CROSS REFERENCES |                |
|----------------|--|------------------|----------------|
|                |  | Contitech        | 4391 N P22**SA |
|                |  |                  |                |
|                |  |                  |                |
|                |  |                  |                |
|                |  |                  |                |
|                |  |                  |                |



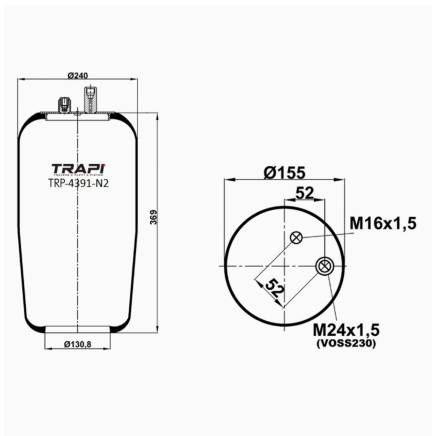
## TRP-4391-N22 AIR SPRING WITHOUT PISTON

| OEM REFERENCES |  | CROSS REFERENCES |                |
|----------------|--|------------------|----------------|
|                |  | Contitech        | 4391 N P22**SA |
|                |  |                  |                |
|                |  |                  |                |
|                |  |                  |                |
|                |  |                  |                |
|                |  |                  |                |



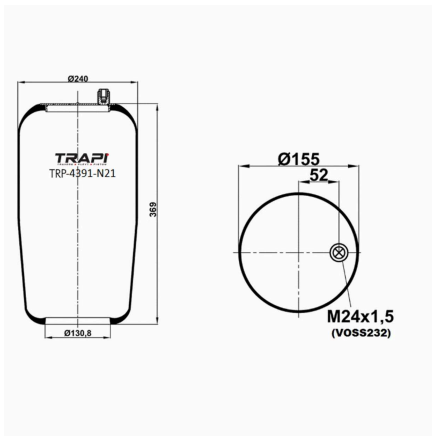
**TRP-4391-N1 AIR SPRING WITHOUT PISTON**

| OEM REFERENCES |             | CROSS REFERENCES |        |
|----------------|-------------|------------------|--------|
| MERCEDES-BENZ  | A9423280601 | Contitech        | 4391N1 |
|                |             |                  |        |
|                |             |                  |        |
|                |             |                  |        |
|                |             |                  |        |
|                |             |                  |        |
|                |             |                  |        |
|                |             |                  |        |



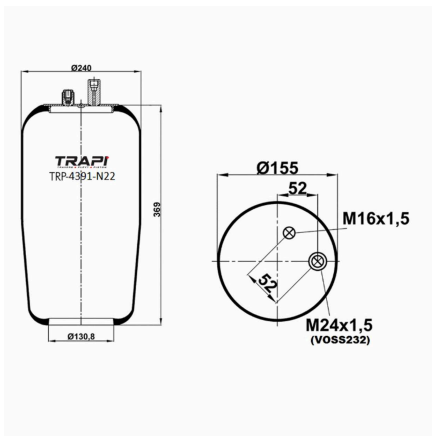
**TRP-4391-N2 AIR SPRING WITHOUT PISTON**

| OEM REFERENCES |             | CROSS REFERENCES |        |
|----------------|-------------|------------------|--------|
| MERCEDES-BENZ  | A9423280701 | Contitech        | 4391N2 |
|                |             |                  |        |
|                |             |                  |        |
|                |             |                  |        |
|                |             |                  |        |
|                |             |                  |        |
|                |             |                  |        |
|                |             |                  |        |



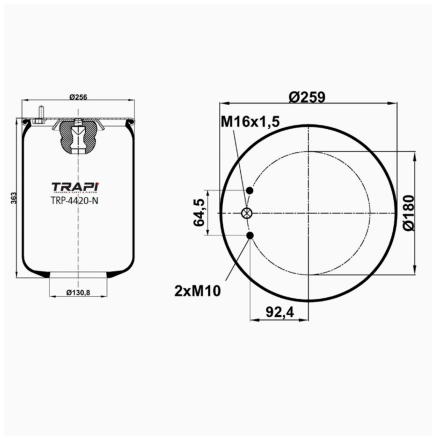
**TRP-4391-N21 AIR SPRING WITHOUT PISTON**

| OEM REFERENCES |  | CROSS REFERENCES |                |
|----------------|--|------------------|----------------|
|                |  | Contitech        | 4391 N P21**SA |
|                |  |                  |                |
|                |  |                  |                |
|                |  |                  |                |
|                |  |                  |                |
|                |  |                  |                |
|                |  |                  |                |
|                |  |                  |                |



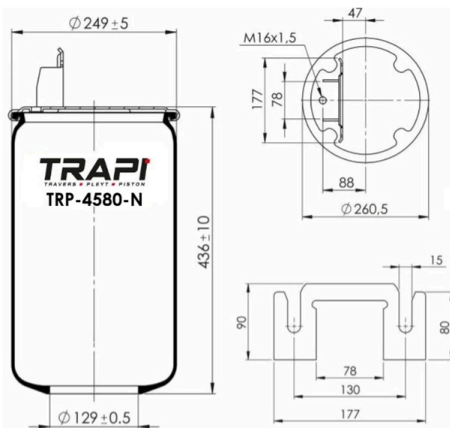
**TRP-4391-N22 AIR SPRING WITHOUT PISTON**

| OEM REFERENCES |  | CROSS REFERENCES |                |
|----------------|--|------------------|----------------|
|                |  | Contitech        | 4391 N P22**SA |
|                |  |                  |                |
|                |  |                  |                |
|                |  |                  |                |
|                |  |                  |                |
|                |  |                  |                |
|                |  |                  |                |
|                |  |                  |                |



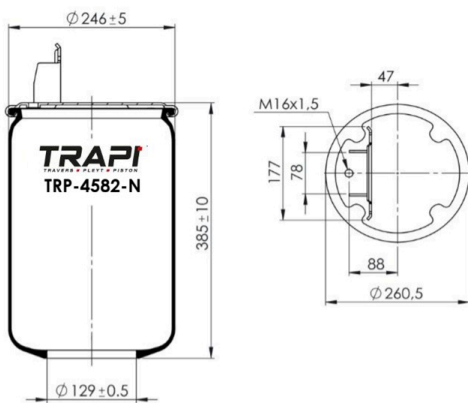
## TRP-4420-N AIR SPRING WITHOUT PISTON

| OEM REFERENCES |  | CROSS REFERENCES |              |
|----------------|--|------------------|--------------|
|                |  | Contitech        | 4420NP01**SA |
|                |  |                  |              |
|                |  |                  |              |
|                |  |                  |              |
|                |  |                  |              |
|                |  |                  |              |



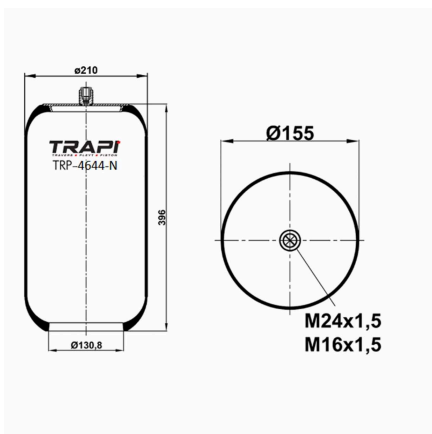
## TRP-4580-N AIR SPRING WITHOUT PISTON

| OEM REFERENCES |              | CROSS REFERENCES |                |
|----------------|--------------|------------------|----------------|
| VOLVO          | 21451173**SA | CONTITECH        | 4580 N P01**SA |
| VOLVO          | 21451172**SA | CONTITECH        | 4580 N P02**SA |
|                |              |                  |                |
|                |              |                  |                |
|                |              |                  |                |
|                |              |                  |                |



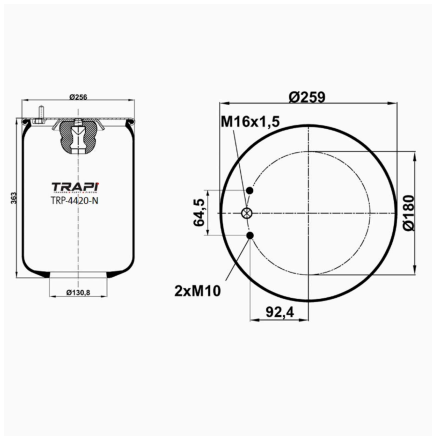
## TRP-4582-N AIR SPRING WITHOUT PISTON

| OEM REFERENCES |                | CROSS REFERENCES |                |
|----------------|----------------|------------------|----------------|
| RENAULT        | 21 451 178**SA | CONTITECH        | 4582 N P01**SA |
| VOLVO          | 22 047 989**SA |                  |                |
|                |                |                  |                |
|                |                |                  |                |
|                |                |                  |                |
|                |                |                  |                |



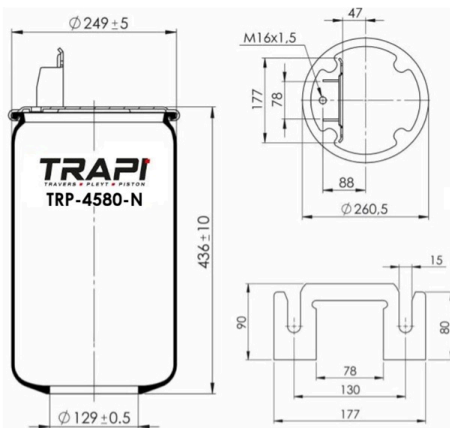
## TRP-4644-N AIR SPRING WITHOUT PISTON

| OEM REFERENCES |             | CROSS REFERENCES |       |
|----------------|-------------|------------------|-------|
| EVO-BUS        | A6293270001 | Contitech        | 4644N |
|                |             |                  |       |
|                |             |                  |       |
|                |             |                  |       |
|                |             |                  |       |
|                |             |                  |       |



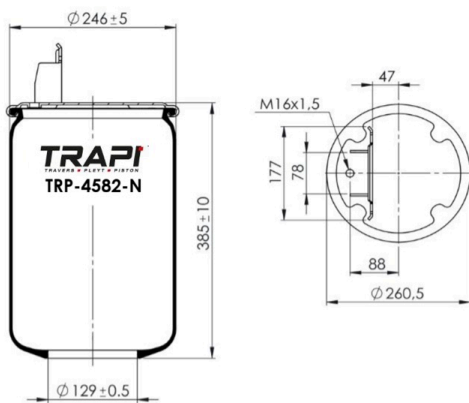
## TRP-4420-N AIR SPRING WITHOUT PISTON

| OEM REFERENCES |  | CROSS REFERENCES |              |
|----------------|--|------------------|--------------|
|                |  | Contitech        | 4420NP01**SA |
|                |  |                  |              |
|                |  |                  |              |
|                |  |                  |              |
|                |  |                  |              |
|                |  |                  |              |



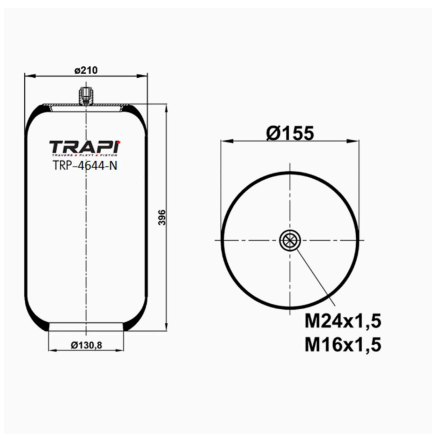
## TRP-4580-N AIR SPRING WITHOUT PISTON

| OEM REFERENCES |              | CROSS REFERENCES |                |
|----------------|--------------|------------------|----------------|
| VOLVO          | 21451173**SA | CONTITECH        | 4580 N P01**SA |
| VOLVO          | 21451172**SA | CONTITECH        | 4580 N P02**SA |
|                |              |                  |                |
|                |              |                  |                |
|                |              |                  |                |
|                |              |                  |                |
|                |              |                  |                |



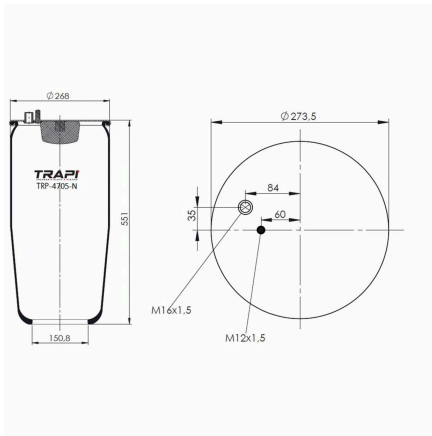
## TRP-4582-N AIR SPRING WITHOUT PISTON

| OEM REFERENCES |                | CROSS REFERENCES |                |
|----------------|----------------|------------------|----------------|
| RENAULT        | 21 451 178**SA | CONTITECH        | 4582 N P01**SA |
| VOLVO          | 22 047 989**SA |                  |                |
|                |                |                  |                |
|                |                |                  |                |
|                |                |                  |                |
|                |                |                  |                |
|                |                |                  |                |



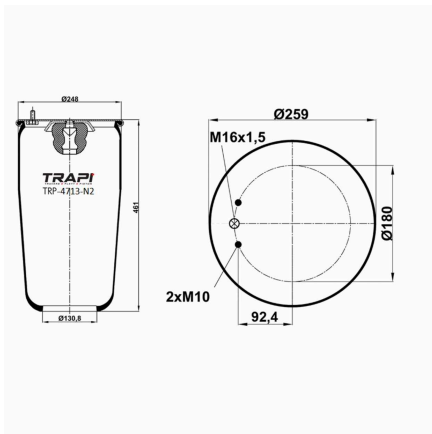
## TRP-4644-N AIR SPRING WITHOUT PISTON

| OEM REFERENCES |             | CROSS REFERENCES |       |
|----------------|-------------|------------------|-------|
| EVO-BUS        | A6293270001 | Contitech        | 4644N |
|                |             |                  |       |
|                |             |                  |       |
|                |             |                  |       |
|                |             |                  |       |
|                |             |                  |       |
|                |             |                  |       |



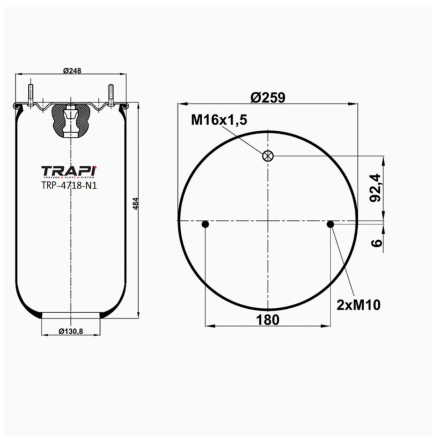
## TRP-4705-N AIR SPRING WITHOUT PISTON

| OEM REFERENCES |               | CROSS REFERENCES |           |
|----------------|---------------|------------------|-----------|
| MAN            | 81.43601.0155 | Goodyear         | 1R12-831  |
|                |               | Contitech        | 4705N1P01 |
|                |               |                  |           |
|                |               |                  |           |
|                |               |                  |           |
|                |               |                  |           |
|                |               |                  |           |
|                |               |                  |           |



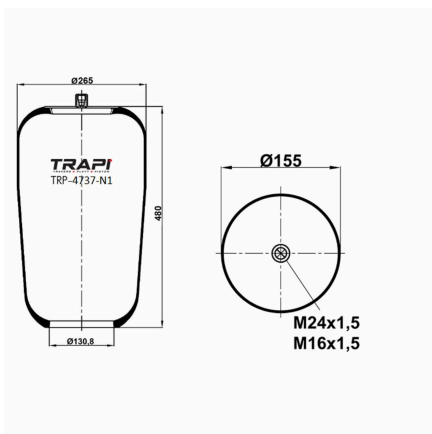
## TRP-4713-N2 AIR SPRING WITHOUT PISTON

| OEM REFERENCES |           | CROSS REFERENCES |           |
|----------------|-----------|------------------|-----------|
| VOLVO          | 1 076 595 | Springride       | D12U24    |
|                |           | Goodyear         | 1R12-763  |
|                |           | Contitech        | 4713NP04  |
|                |           | Cf Gomma         | 1TS300-28 |
|                |           |                  |           |
|                |           |                  |           |
|                |           |                  |           |
|                |           |                  |           |



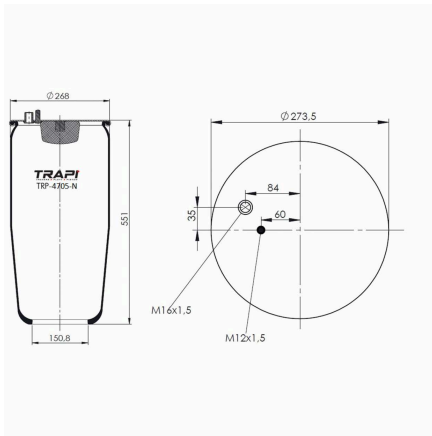
## TRP-4718-N1 AIR SPRING WITHOUT PISTON

| OEM REFERENCES |           | CROSS REFERENCES |          |
|----------------|-----------|------------------|----------|
| VOLVO          | 1079718   | Contitech        | 4718NP02 |
| VOLVO          | 101075363 |                  |          |
|                |           |                  |          |
|                |           |                  |          |
|                |           |                  |          |
|                |           |                  |          |
|                |           |                  |          |
|                |           |                  |          |



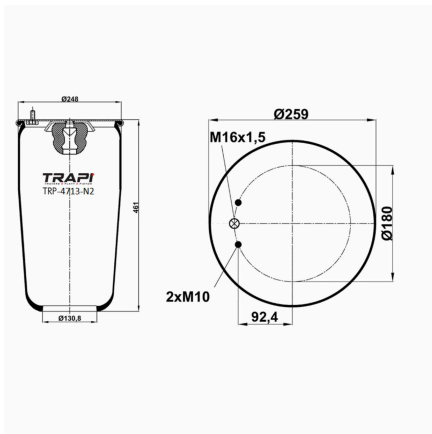
## TRP-4737-N1 AIR SPRING WITHOUT PISTON

| OEM REFERENCES |  | CROSS REFERENCES |       |
|----------------|--|------------------|-------|
|                |  | Contitech        | 4737N |
|                |  |                  |       |
|                |  |                  |       |
|                |  |                  |       |
|                |  |                  |       |
|                |  |                  |       |
|                |  |                  |       |
|                |  |                  |       |



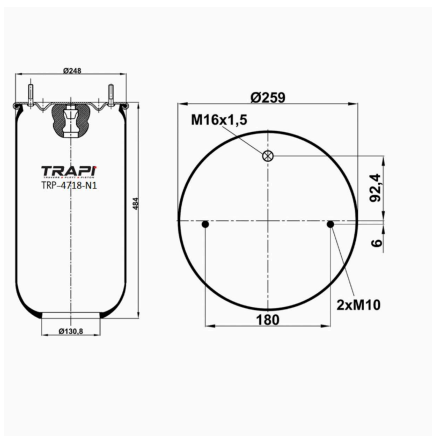
## TRP-4705-N AIR SPRING WITHOUT PISTON

| OEM REFERENCES |               | CROSS REFERENCES |           |
|----------------|---------------|------------------|-----------|
| MAN            | 81.43601.0155 | Goodyear         | 1R12-831  |
|                |               | Contitech        | 4705N1P01 |
|                |               |                  |           |
|                |               |                  |           |
|                |               |                  |           |
|                |               |                  |           |
|                |               |                  |           |
|                |               |                  |           |



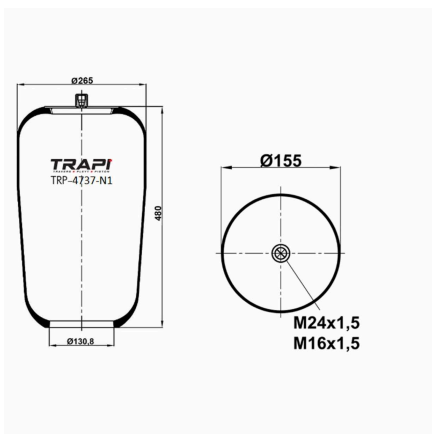
## TRP-4713-N2 AIR SPRING WITHOUT PISTON

| OEM REFERENCES |           | CROSS REFERENCES |           |
|----------------|-----------|------------------|-----------|
| VOLVO          | 1 076 595 | Springride       | D12U24    |
|                |           | Goodyear         | 1R12-763  |
|                |           | Contitech        | 4713NP04  |
|                |           | Cf Gomma         | 1TS300-28 |
|                |           |                  |           |
|                |           |                  |           |
|                |           |                  |           |
|                |           |                  |           |



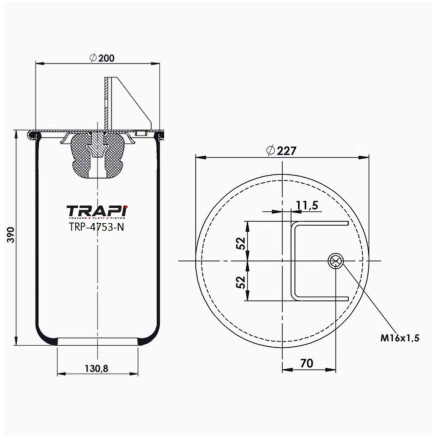
## TRP-4718-N1 AIR SPRING WITHOUT PISTON

| OEM REFERENCES |           | CROSS REFERENCES |          |
|----------------|-----------|------------------|----------|
| VOLVO          | 1079718   | Contitech        | 4718NP02 |
| VOLVO          | 101075363 |                  |          |
|                |           |                  |          |
|                |           |                  |          |
|                |           |                  |          |
|                |           |                  |          |
|                |           |                  |          |
|                |           |                  |          |



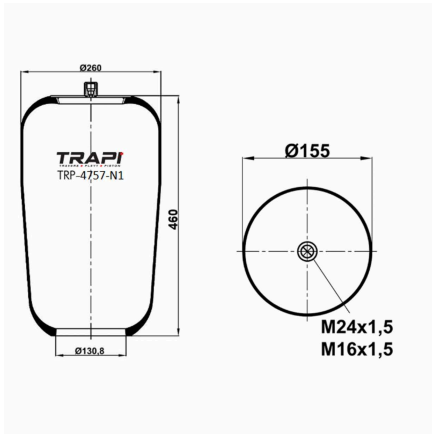
## TRP-4737-N1 AIR SPRING WITHOUT PISTON

| OEM REFERENCES |  | CROSS REFERENCES |       |
|----------------|--|------------------|-------|
|                |  | Contitech        | 4737N |
|                |  |                  |       |
|                |  |                  |       |
|                |  |                  |       |
|                |  |                  |       |
|                |  |                  |       |
|                |  |                  |       |
|                |  |                  |       |



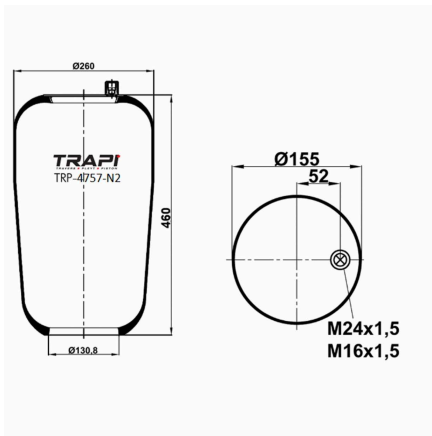
## TRP-4753-N AIR SPRING WITHOUT PISTON

| OEM REFERENCES |  | CROSS REFERENCES |             |
|----------------|--|------------------|-------------|
|                |  | Airtech          | 36753 K**SA |
|                |  |                  |             |
|                |  |                  |             |
|                |  |                  |             |
|                |  |                  |             |
|                |  |                  |             |
|                |  |                  |             |
|                |  |                  |             |
|                |  |                  |             |



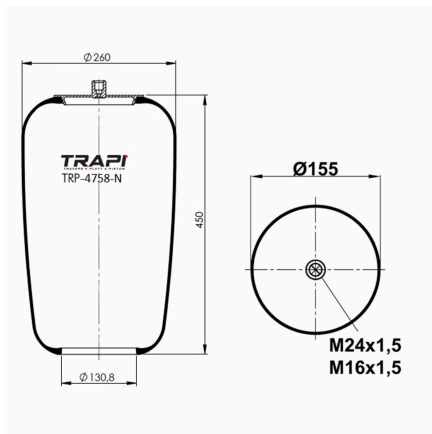
## TRP-4757-N1 AIR SPRING WITHOUT PISTON

| OEM REFERENCES |             | CROSS REFERENCES |        |
|----------------|-------------|------------------|--------|
| MERCEDES-BENZ  | A9423270001 | Contitech        | 4757N1 |
|                |             |                  |        |
|                |             |                  |        |
|                |             |                  |        |
|                |             |                  |        |
|                |             |                  |        |
|                |             |                  |        |
|                |             |                  |        |
|                |             |                  |        |



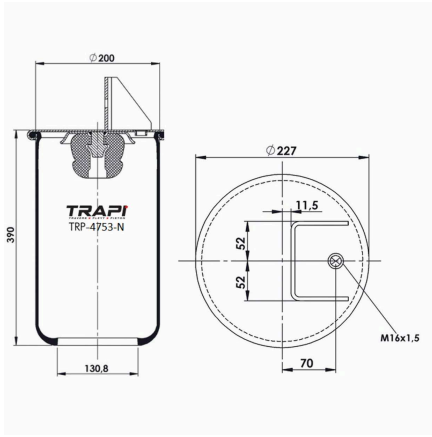
## TRP-4757-N2 AIR SPRING WITHOUT PISTON

| OEM REFERENCES |             | CROSS REFERENCES |        |
|----------------|-------------|------------------|--------|
| MERCEDES-BENZ  | A9743280001 | Contitech        | 4757N2 |
|                |             |                  |        |
|                |             |                  |        |
|                |             |                  |        |
|                |             |                  |        |
|                |             |                  |        |
|                |             |                  |        |
|                |             |                  |        |
|                |             |                  |        |



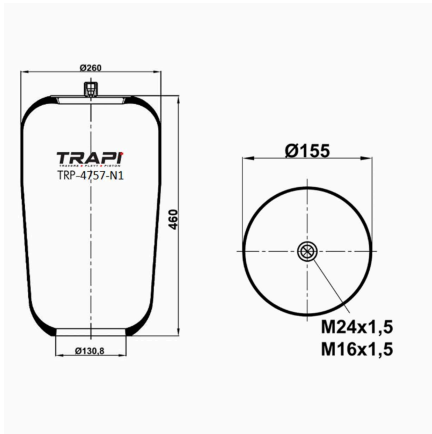
## TRP-4758-N AIR SPRING WITHOUT PISTON

| OEM REFERENCES |  | CROSS REFERENCES |              |
|----------------|--|------------------|--------------|
|                |  | Contitech        | 4758NP01**SA |
|                |  |                  |              |
|                |  |                  |              |
|                |  |                  |              |
|                |  |                  |              |
|                |  |                  |              |
|                |  |                  |              |
|                |  |                  |              |
|                |  |                  |              |



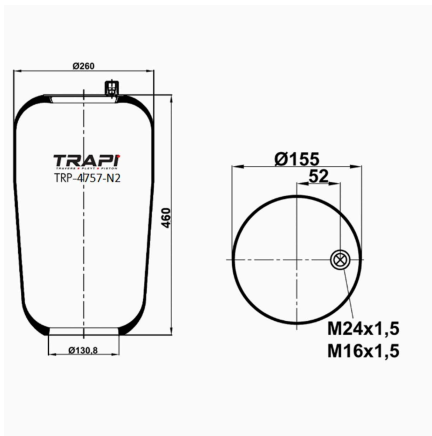
## TRP-4753-N AIR SPRING WITHOUT PISTON

| OEM REFERENCES |  | CROSS REFERENCES |             |
|----------------|--|------------------|-------------|
|                |  | Airtech          | 36753 K**SA |
|                |  |                  |             |
|                |  |                  |             |
|                |  |                  |             |
|                |  |                  |             |
|                |  |                  |             |
|                |  |                  |             |
|                |  |                  |             |
|                |  |                  |             |
|                |  |                  |             |



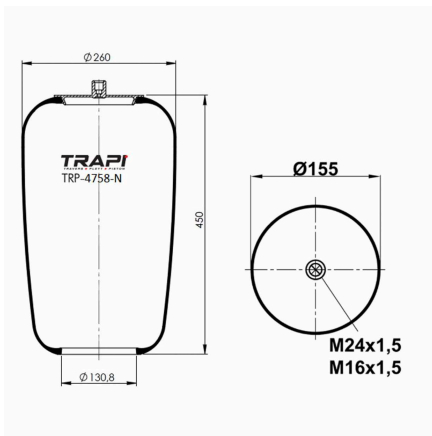
## TRP-4757-N1 AIR SPRING WITHOUT PISTON

| OEM REFERENCES |             | CROSS REFERENCES |        |
|----------------|-------------|------------------|--------|
| MERCEDES-BENZ  | A9423270001 | Contitech        | 4757N1 |
|                |             |                  |        |
|                |             |                  |        |
|                |             |                  |        |
|                |             |                  |        |
|                |             |                  |        |
|                |             |                  |        |
|                |             |                  |        |
|                |             |                  |        |
|                |             |                  |        |
|                |             |                  |        |



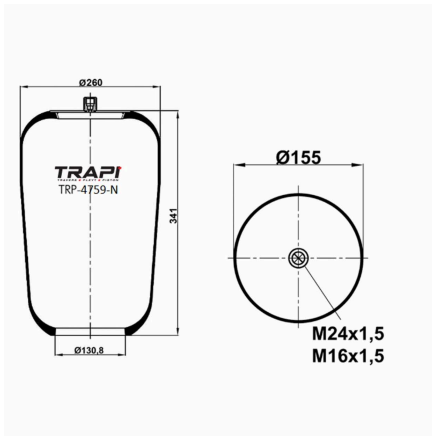
## TRP-4757-N2 AIR SPRING WITHOUT PISTON

| OEM REFERENCES |             | CROSS REFERENCES |        |
|----------------|-------------|------------------|--------|
| MERCEDES-BENZ  | A9743280001 | Contitech        | 4757N2 |
|                |             |                  |        |
|                |             |                  |        |
|                |             |                  |        |
|                |             |                  |        |
|                |             |                  |        |
|                |             |                  |        |
|                |             |                  |        |
|                |             |                  |        |
|                |             |                  |        |
|                |             |                  |        |



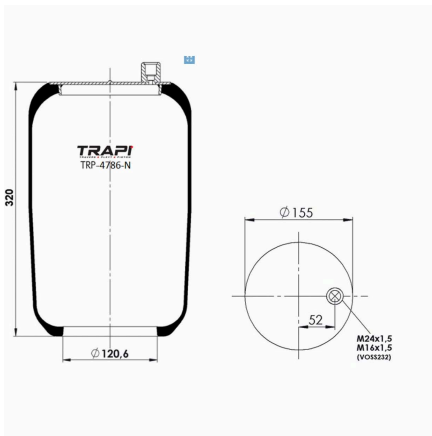
## TRP-4758-N AIR SPRING WITHOUT PISTON

| OEM REFERENCES |  | CROSS REFERENCES |              |
|----------------|--|------------------|--------------|
|                |  | Contitech        | 4758NP01**SA |
|                |  |                  |              |
|                |  |                  |              |
|                |  |                  |              |
|                |  |                  |              |
|                |  |                  |              |
|                |  |                  |              |
|                |  |                  |              |
|                |  |                  |              |
|                |  |                  |              |
|                |  |                  |              |



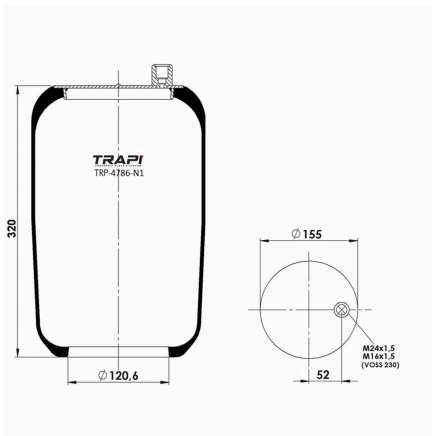
## TRP-4759-N AIR SPRING WITHOUT PISTON

| OEM REFERENCES |             | CROSS REFERENCES |       |
|----------------|-------------|------------------|-------|
| MERCEDES-BENZ  | A9423270401 | Contitech        | 4759N |
|                |             |                  |       |
|                |             |                  |       |
|                |             |                  |       |
|                |             |                  |       |
|                |             |                  |       |
|                |             |                  |       |
|                |             |                  |       |
|                |             |                  |       |
|                |             |                  |       |



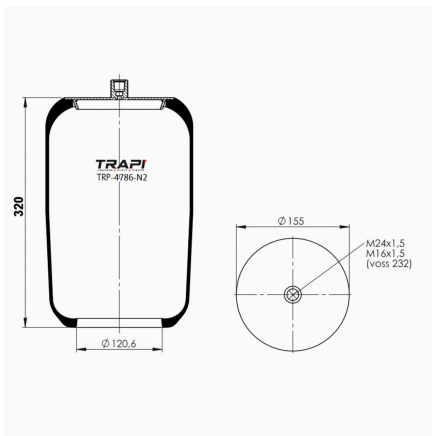
## TRP-4786-N AIR SPRING WITHOUT PISTON

| OEM REFERENCES |  | CROSS REFERENCES |                           |
|----------------|--|------------------|---------------------------|
|                |  | Contitech        | 4786 N P21**SA (VOSS 232) |
|                |  |                  |                           |
|                |  |                  |                           |
|                |  |                  |                           |
|                |  |                  |                           |
|                |  |                  |                           |
|                |  |                  |                           |
|                |  |                  |                           |
|                |  |                  |                           |
|                |  |                  |                           |



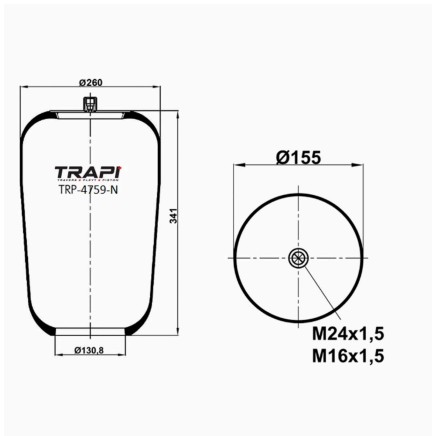
## TRP-4786-N1 AIR SPRING WITHOUT PISTON

| OEM REFERENCES |  | CROSS REFERENCES |                           |
|----------------|--|------------------|---------------------------|
|                |  | Contitech        | 4786 N P01**SA (VOSS 230) |
|                |  |                  |                           |
|                |  |                  |                           |
|                |  |                  |                           |
|                |  |                  |                           |
|                |  |                  |                           |
|                |  |                  |                           |
|                |  |                  |                           |
|                |  |                  |                           |
|                |  |                  |                           |



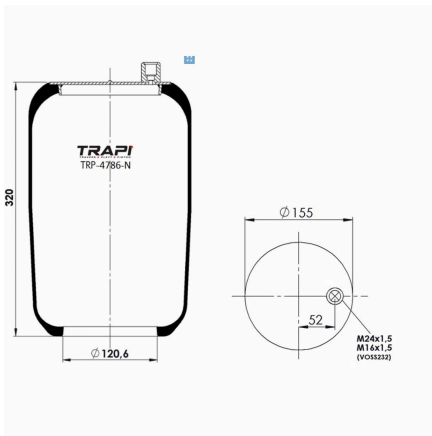
## TRP-4786-N2 AIR SPRING WITHOUT PISTON

| OEM REFERENCES |  | CROSS REFERENCES |                |
|----------------|--|------------------|----------------|
|                |  | Contitech        | 4786 N P02**SA |
|                |  |                  |                |
|                |  |                  |                |
|                |  |                  |                |
|                |  |                  |                |
|                |  |                  |                |
|                |  |                  |                |
|                |  |                  |                |
|                |  |                  |                |
|                |  |                  |                |



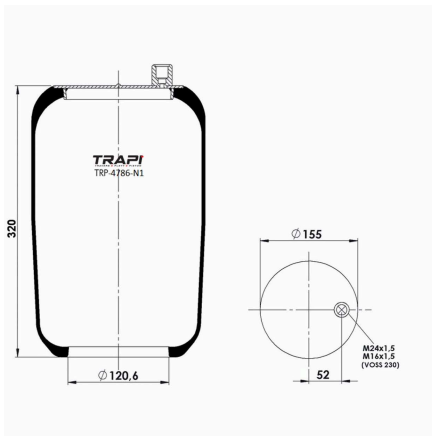
## TRP-4759-N AIR SPRING WITHOUT PISTON

| OEM REFERENCES |             | CROSS REFERENCES |       |
|----------------|-------------|------------------|-------|
| MERCEDES-BENZ  | A9423270401 | Contitech        | 4759N |
|                |             |                  |       |
|                |             |                  |       |
|                |             |                  |       |
|                |             |                  |       |
|                |             |                  |       |
|                |             |                  |       |
|                |             |                  |       |
|                |             |                  |       |
|                |             |                  |       |



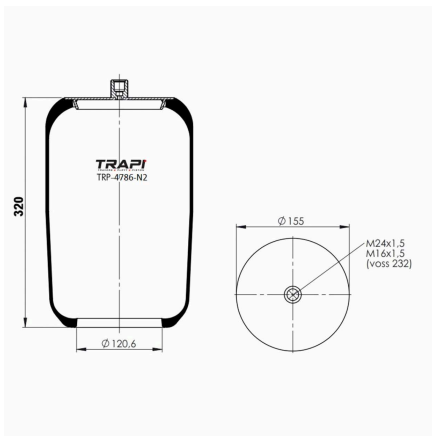
## TRP-4786-N AIR SPRING WITHOUT PISTON

| OEM REFERENCES |  | CROSS REFERENCES |                           |
|----------------|--|------------------|---------------------------|
|                |  | Contitech        | 4786 N P21**SA (VOSS 232) |
|                |  |                  |                           |
|                |  |                  |                           |
|                |  |                  |                           |
|                |  |                  |                           |
|                |  |                  |                           |
|                |  |                  |                           |
|                |  |                  |                           |
|                |  |                  |                           |
|                |  |                  |                           |



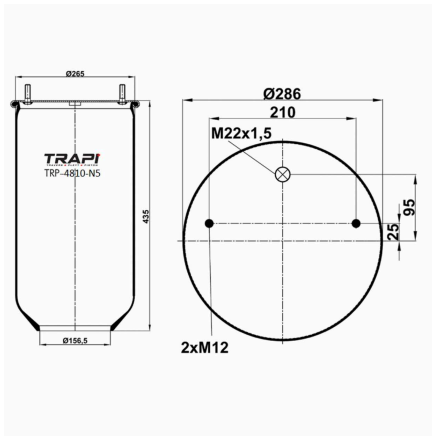
## TRP-4786-N1 AIR SPRING WITHOUT PISTON

| OEM REFERENCES |  | CROSS REFERENCES |                           |
|----------------|--|------------------|---------------------------|
|                |  | Contitech        | 4786 N P01**SA (VOSS 230) |
|                |  |                  |                           |
|                |  |                  |                           |
|                |  |                  |                           |
|                |  |                  |                           |
|                |  |                  |                           |
|                |  |                  |                           |
|                |  |                  |                           |
|                |  |                  |                           |
|                |  |                  |                           |



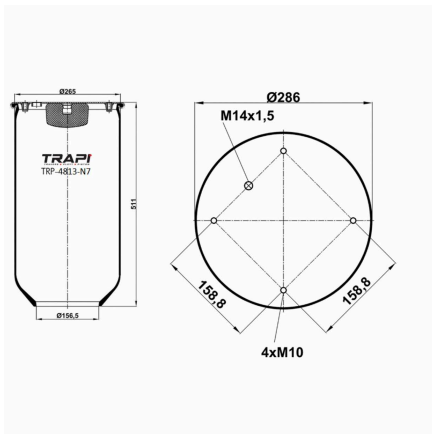
## TRP-4786-N2 AIR SPRING WITHOUT PISTON

| OEM REFERENCES |  | CROSS REFERENCES |                |
|----------------|--|------------------|----------------|
|                |  | Contitech        | 4786 N P02**SA |
|                |  |                  |                |
|                |  |                  |                |
|                |  |                  |                |
|                |  |                  |                |
|                |  |                  |                |
|                |  |                  |                |
|                |  |                  |                |
|                |  |                  |                |
|                |  |                  |                |



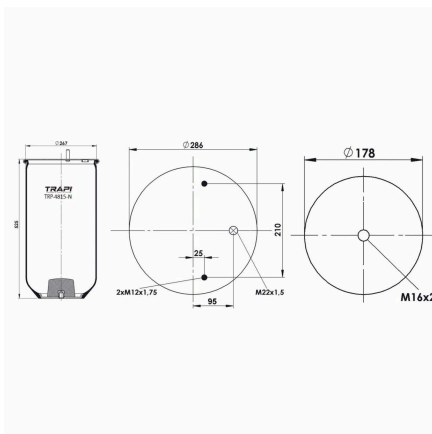
## TRP-4810-N5 AIR SPRING WITHOUT PISTON

| OEM REFERENCES |  | CROSS REFERENCES |              |
|----------------|--|------------------|--------------|
|                |  | Contitech        | 4810NP05**SA |
|                |  |                  |              |
|                |  |                  |              |
|                |  |                  |              |
|                |  |                  |              |
|                |  |                  |              |
|                |  |                  |              |



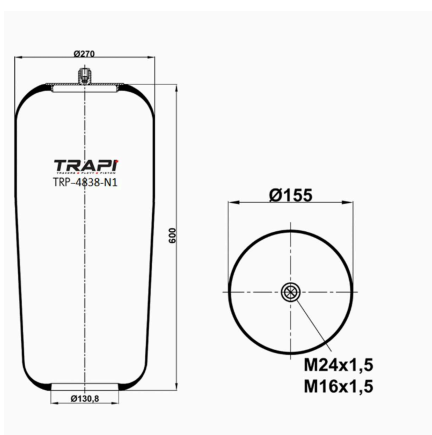
## TRP-4813-N7 AIR SPRING WITHOUT PISTON

| OEM REFERENCES |  | CROSS REFERENCES |              |
|----------------|--|------------------|--------------|
|                |  | Contitech        | 4813NP07**SA |
|                |  |                  |              |
|                |  |                  |              |
|                |  |                  |              |
|                |  |                  |              |
|                |  |                  |              |
|                |  |                  |              |



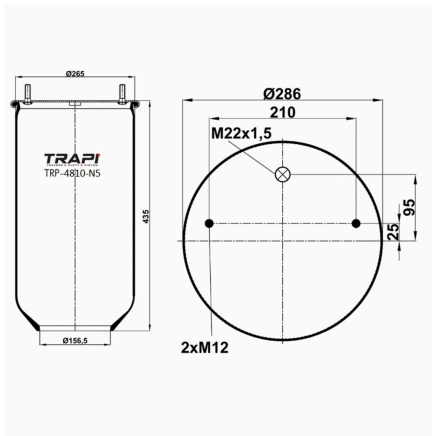
## TRP-4815-N AIR SPRING WITHOUT PISTON

| OEM REFERENCES |                            | CROSS REFERENCES |              |
|----------------|----------------------------|------------------|--------------|
| SAF            | 2924V 3.229.0041.00        | Goodyear         | 1R14-815**SA |
| SAF            | 2923VK 3.229.0028.00 Intra |                  |              |
|                |                            |                  |              |
|                |                            |                  |              |
|                |                            |                  |              |
|                |                            |                  |              |
|                |                            |                  |              |



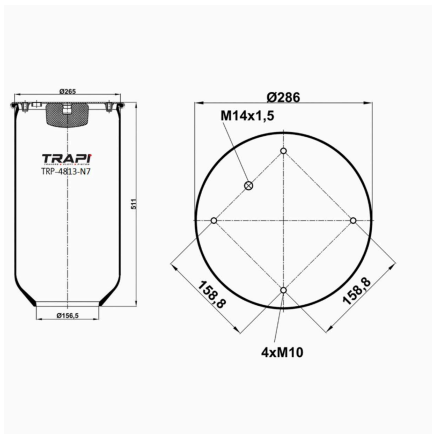
## TRP-4838-N1 AIR SPRING WITHOUT PISTON

| OEM REFERENCES |             | CROSS REFERENCES |       |
|----------------|-------------|------------------|-------|
| MERCEDES-BENZ  | A9463280001 | Contitech        | 4838N |
| MERCEDES-BENZ  | A9463280021 |                  |       |
|                |             |                  |       |
|                |             |                  |       |
|                |             |                  |       |
|                |             |                  |       |
|                |             |                  |       |



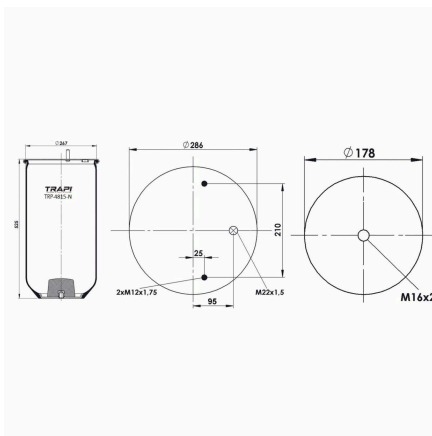
## TRP-4810-N5 AIR SPRING WITHOUT PISTON

| OEM REFERENCES |  | CROSS REFERENCES |              |
|----------------|--|------------------|--------------|
|                |  | Contitech        | 4810NP05**SA |
|                |  |                  |              |
|                |  |                  |              |
|                |  |                  |              |
|                |  |                  |              |
|                |  |                  |              |
|                |  |                  |              |
|                |  |                  |              |
|                |  |                  |              |
|                |  |                  |              |



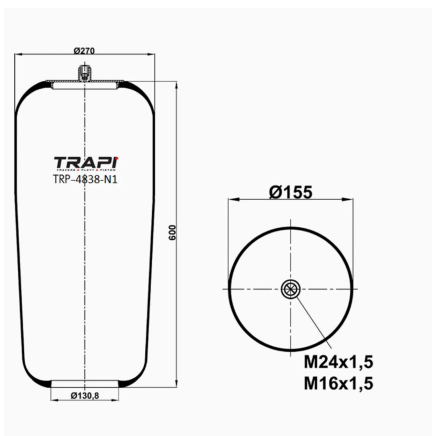
## TRP-4813-N7 AIR SPRING WITHOUT PISTON

| OEM REFERENCES |  | CROSS REFERENCES |              |
|----------------|--|------------------|--------------|
|                |  | Contitech        | 4813NP07**SA |
|                |  |                  |              |
|                |  |                  |              |
|                |  |                  |              |
|                |  |                  |              |
|                |  |                  |              |
|                |  |                  |              |
|                |  |                  |              |
|                |  |                  |              |
|                |  |                  |              |



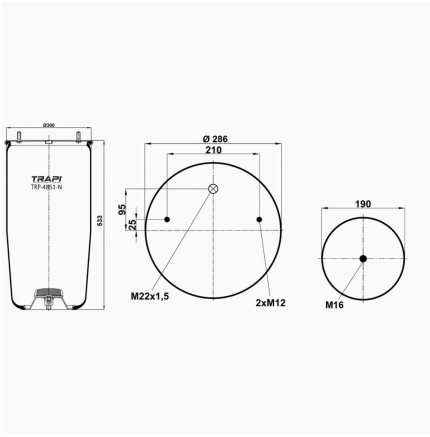
## TRP-4815-N AIR SPRING WITHOUT PISTON

| OEM REFERENCES |                            | CROSS REFERENCES |              |
|----------------|----------------------------|------------------|--------------|
| SAF            | 2924V 3.229.0041.00        | Goodyear         | 1R14-815**SA |
| SAF            | 2923VK 3.229.0028.00 Intra |                  |              |
|                |                            |                  |              |
|                |                            |                  |              |
|                |                            |                  |              |
|                |                            |                  |              |
|                |                            |                  |              |
|                |                            |                  |              |
|                |                            |                  |              |
|                |                            |                  |              |



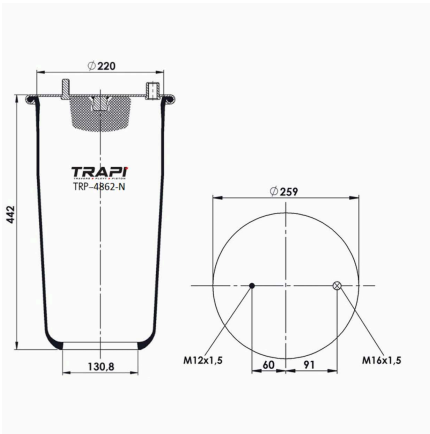
## TRP-4838-N1 AIR SPRING WITHOUT PISTON

| OEM REFERENCES |             | CROSS REFERENCES |       |
|----------------|-------------|------------------|-------|
| MERCEDES-BENZ  | A9463280001 | Contitech        | 4838N |
| MERCEDES-BENZ  | A9463280021 |                  |       |
|                |             |                  |       |
|                |             |                  |       |
|                |             |                  |       |
|                |             |                  |       |
|                |             |                  |       |
|                |             |                  |       |
|                |             |                  |       |
|                |             |                  |       |



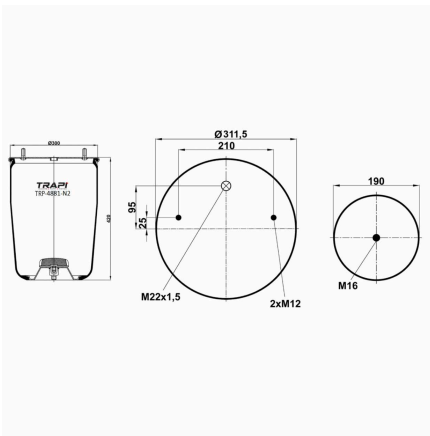
## TRP-4851-N AIR SPRING WITHOUT PISTON

| OEM REFERENCES |        | CROSS REFERENCES |          |
|----------------|--------|------------------|----------|
| TRIDEC         | 311208 | Goodyear         | 1R14-851 |
|                |        |                  |          |
|                |        |                  |          |
|                |        |                  |          |
|                |        |                  |          |
|                |        |                  |          |
|                |        |                  |          |



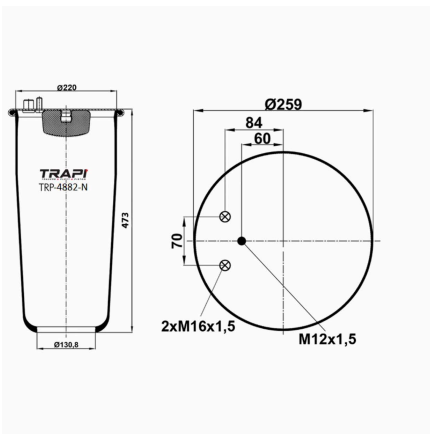
## TRP-4862-N AIR SPRING WITHOUT PISTON

| OEM REFERENCES |               | CROSS REFERENCES |             |
|----------------|---------------|------------------|-------------|
| MAN            | 81.43601.0168 | Contitech        | 4862 N1 P01 |
|                |               |                  |             |
|                |               |                  |             |
|                |               |                  |             |
|                |               |                  |             |
|                |               |                  |             |
|                |               |                  |             |



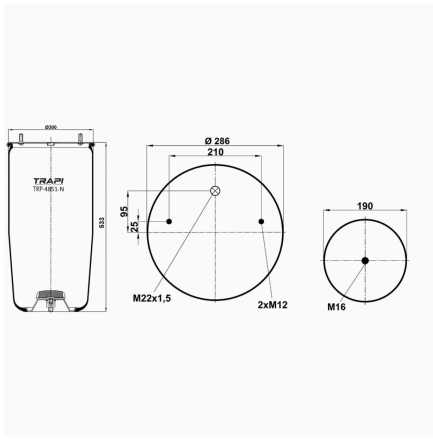
## TRP-4881-N2 AIR SPRING WITHOUT PISTON

| OEM REFERENCES |                | CROSS REFERENCES |                  |
|----------------|----------------|------------------|------------------|
| BPW            | BPW36K         | Goodyear         | 1R14-701         |
| BPW            | 05.429.41.01.0 | Firestone        | 1T66D-7.0        |
|                |                | Firestone        | W01M588601       |
|                |                | Dunlop           | D14U37           |
|                |                | Contitech        | 4881NP02         |
|                |                | Cf Gomma         | 1TC360-40 205537 |
|                |                | Phoenix          | 1DK32K           |
|                |                | Taurus           | UR838-01T        |
|                |                |                  |                  |
|                |                |                  |                  |



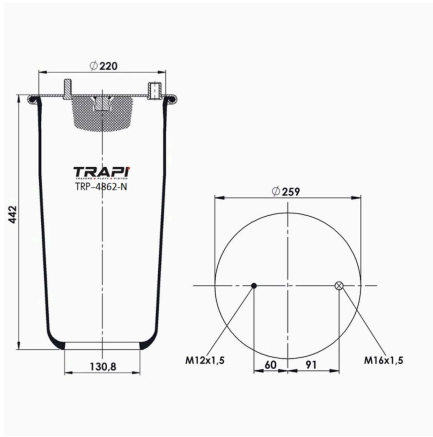
## TRP-4882-N AIR SPRING WITHOUT PISTON

| OEM REFERENCES |               | CROSS REFERENCES |           |
|----------------|---------------|------------------|-----------|
| MAN            | 81.43601.0151 | Goodyear         | 1R10-702  |
|                |               | Contitech        | 4882NIP01 |
|                |               |                  |           |
|                |               |                  |           |
|                |               |                  |           |
|                |               |                  |           |
|                |               |                  |           |



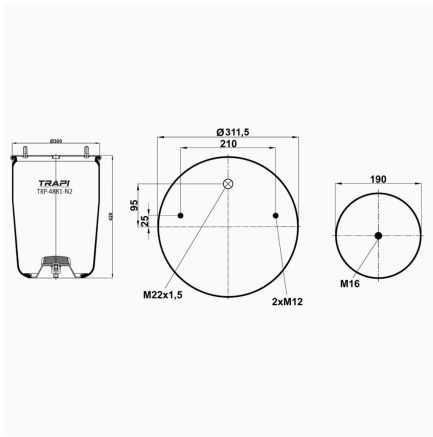
## TRP-4851-N AIR SPRING WITHOUT PISTON

| OEM REFERENCES |        | CROSS REFERENCES |          |
|----------------|--------|------------------|----------|
| TRIDEC         | 311208 | Goodyear         | 1R14-851 |
|                |        |                  |          |
|                |        |                  |          |
|                |        |                  |          |
|                |        |                  |          |
|                |        |                  |          |
|                |        |                  |          |



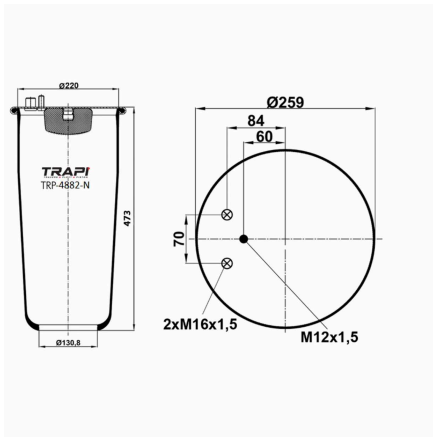
## TRP-4862-N AIR SPRING WITHOUT PISTON

| OEM REFERENCES |               | CROSS REFERENCES |             |
|----------------|---------------|------------------|-------------|
| MAN            | 81.43601.0168 | Contitech        | 4862 N1 P01 |
|                |               |                  |             |
|                |               |                  |             |
|                |               |                  |             |
|                |               |                  |             |
|                |               |                  |             |
|                |               |                  |             |



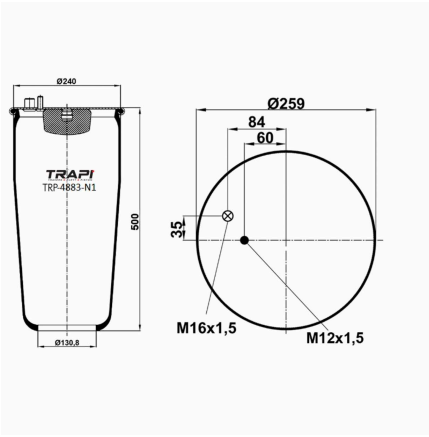
## TRP-4881-N2 AIR SPRING WITHOUT PISTON

| OEM REFERENCES |                | CROSS REFERENCES |                  |
|----------------|----------------|------------------|------------------|
| BPW            | BPW36K         | Goodyear         | 1R14-701         |
| BPW            | 05.429.41.01.0 | Firestone        | 1T66D-7.0        |
|                |                | Firestone        | W01M588601       |
|                |                | Dunlop           | D14U37           |
|                |                | Contitech        | 4881NP02         |
|                |                | Cf Gomma         | 1TC360-40 205537 |
|                |                | Phoenix          | 1DK32K           |
|                |                | Taurus           | UR838-01T        |
|                |                |                  |                  |



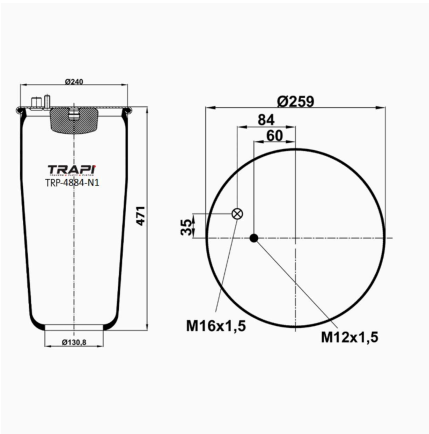
## TRP-4882-N AIR SPRING WITHOUT PISTON

| OEM REFERENCES |               | CROSS REFERENCES |           |
|----------------|---------------|------------------|-----------|
| MAN            | 81.43601.0151 | Goodyear         | 1R10-702  |
|                |               | Contitech        | 4882NIP01 |
|                |               |                  |           |
|                |               |                  |           |
|                |               |                  |           |
|                |               |                  |           |
|                |               |                  |           |



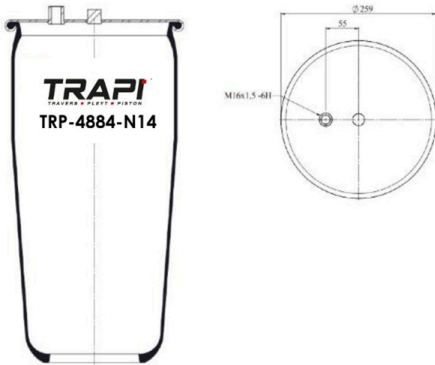
## TRP-4883-N1 AIR SPRING WITHOUT PISTON

| OEM REFERENCES |               | CROSS REFERENCES |           |
|----------------|---------------|------------------|-----------|
| MAN            | 81.43601.0153 | Contitech        | 4883N1P01 |
|                |               |                  |           |
|                |               |                  |           |
|                |               |                  |           |
|                |               |                  |           |
|                |               |                  |           |
|                |               |                  |           |



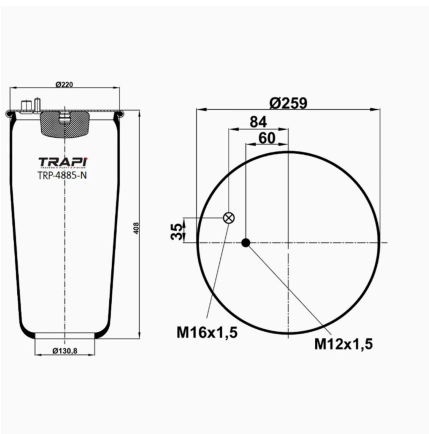
## TRP-4884-N1 AIR SPRING WITHOUT PISTON

| OEM REFERENCES |               | CROSS REFERENCES |           |
|----------------|---------------|------------------|-----------|
| MAN            | 81.43601.0152 | Goodyear         | 1R11-820  |
| MAN            | 81.43601.0174 | Contitech        | 4884N1P01 |
|                |               |                  |           |
|                |               |                  |           |
|                |               |                  |           |
|                |               |                  |           |
|                |               |                  |           |



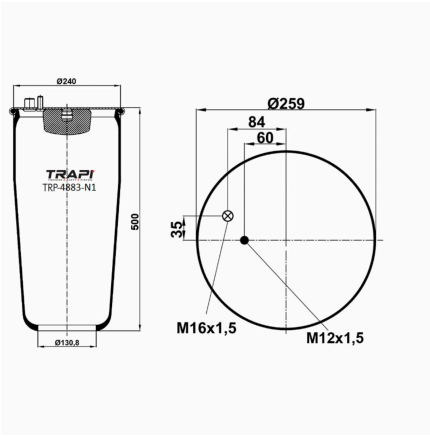
## TRP-4884-N14 AIR SPRING WITHOUT PISTON

| OEM REFERENCES  |  | CROSS REFERENCES |  |
|-----------------|--|------------------|--|
| SPECIAL PRODUCT |  |                  |  |
|                 |  |                  |  |
|                 |  |                  |  |
|                 |  |                  |  |
|                 |  |                  |  |
|                 |  |                  |  |
|                 |  |                  |  |



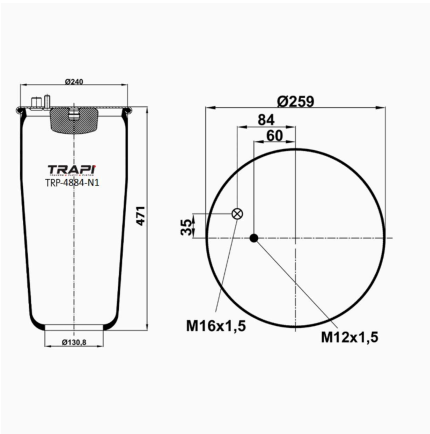
## TRP-4885-N AIR SPRING WITHOUT PISTON

| OEM REFERENCES |               | CROSS REFERENCES |           |
|----------------|---------------|------------------|-----------|
| MAN            | 81.43601.6071 | Contitech        | 4885N1P01 |
| MAN            | 81.43601.0160 |                  |           |
|                |               |                  |           |
|                |               |                  |           |
|                |               |                  |           |
|                |               |                  |           |
|                |               |                  |           |



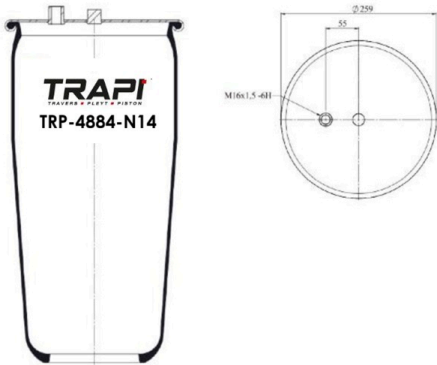
## TRP-4883-N1 AIR SPRING WITHOUT PISTON

| OEM REFERENCES |               | CROSS REFERENCES |           |
|----------------|---------------|------------------|-----------|
| MAN            | 81.43601.0153 | Contitech        | 4883N1P01 |
|                |               |                  |           |
|                |               |                  |           |
|                |               |                  |           |
|                |               |                  |           |
|                |               |                  |           |
|                |               |                  |           |
|                |               |                  |           |



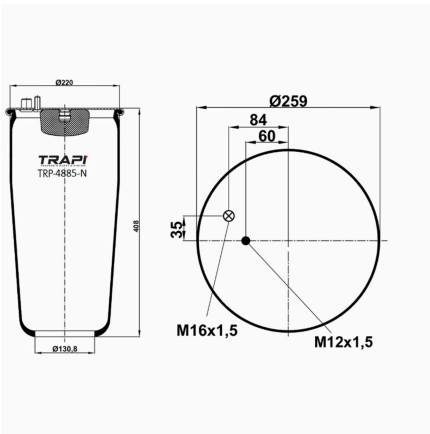
## TRP-4884-N1 AIR SPRING WITHOUT PISTON

| OEM REFERENCES |               | CROSS REFERENCES |           |
|----------------|---------------|------------------|-----------|
| MAN            | 81.43601.0152 | Goodyear         | 1R11-820  |
| MAN            | 81.43601.0174 | Contitech        | 4884N1P01 |
|                |               |                  |           |
|                |               |                  |           |
|                |               |                  |           |
|                |               |                  |           |
|                |               |                  |           |
|                |               |                  |           |



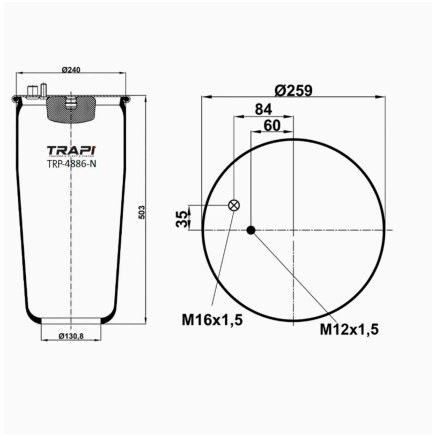
## TRP-4884-N14 AIR SPRING WITHOUT PISTON

| OEM REFERENCES  |  | CROSS REFERENCES |  |
|-----------------|--|------------------|--|
| SPECIAL PRODUCT |  |                  |  |
|                 |  |                  |  |
|                 |  |                  |  |
|                 |  |                  |  |
|                 |  |                  |  |
|                 |  |                  |  |
|                 |  |                  |  |
|                 |  |                  |  |



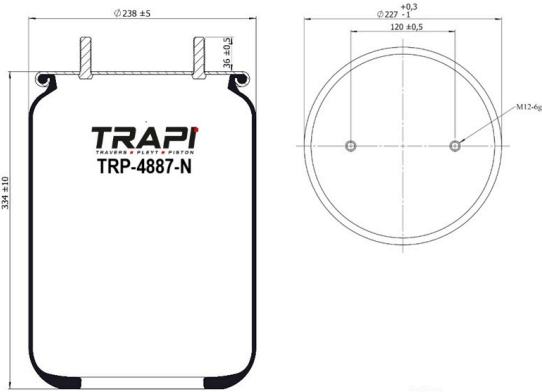
## TRP-4885-N AIR SPRING WITHOUT PISTON

| OEM REFERENCES |               | CROSS REFERENCES |           |
|----------------|---------------|------------------|-----------|
| MAN            | 81.43601.6071 | Contitech        | 4885N1P01 |
| MAN            | 81.43601.0160 |                  |           |
|                |               |                  |           |
|                |               |                  |           |
|                |               |                  |           |
|                |               |                  |           |
|                |               |                  |           |
|                |               |                  |           |



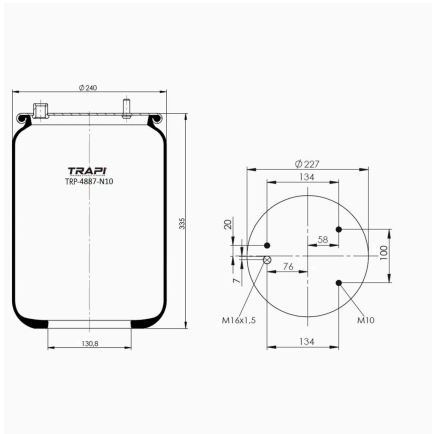
## TRP-4886-N AIR SPRING WITHOUT PISTON

| OEM REFERENCES |               | CROSS REFERENCES |            |
|----------------|---------------|------------------|------------|
| MAN            | 81.43601.0165 | Contitech        | 4886 N P02 |
|                |               | Airtech          | 34886 P    |
|                |               |                  |            |
|                |               |                  |            |
|                |               |                  |            |
|                |               |                  |            |
|                |               |                  |            |
|                |               |                  |            |
|                |               |                  |            |



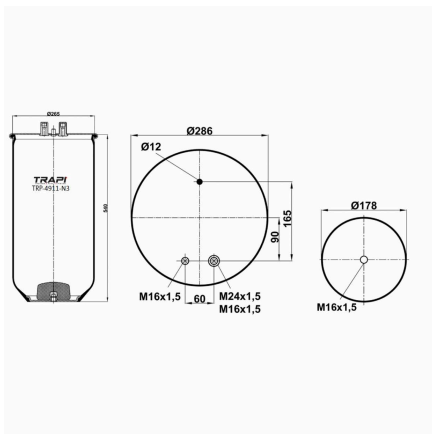
## TRP-4887-N AIR SPRING WITHOUT PISTON

| OEM REFERENCES |             | CROSS REFERENCES |  |
|----------------|-------------|------------------|--|
| BMC            | 31100130410 |                  |  |
|                |             |                  |  |
|                |             |                  |  |
|                |             |                  |  |
|                |             |                  |  |
|                |             |                  |  |
|                |             |                  |  |
|                |             |                  |  |
|                |             |                  |  |



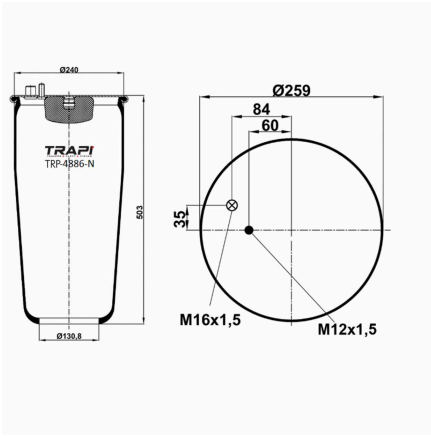
## TRP-4887-N10 AIR SPRING WITHOUT PISTON

| OEM REFERENCES |  | CROSS REFERENCES |                  |
|----------------|--|------------------|------------------|
|                |  | Firestone        | W01 M58 8681**SA |
|                |  |                  |                  |
|                |  |                  |                  |
|                |  |                  |                  |
|                |  |                  |                  |
|                |  |                  |                  |
|                |  |                  |                  |
|                |  |                  |                  |
|                |  |                  |                  |



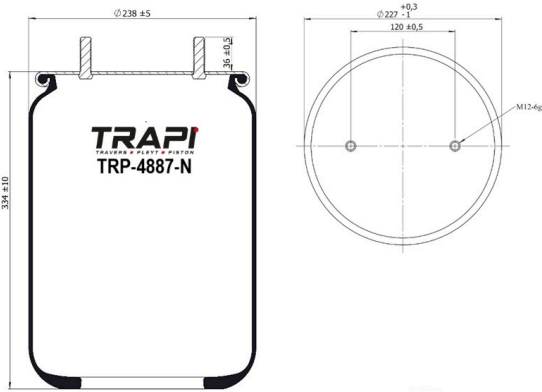
## TRP-4911-N3 AIR SPRING WITHOUT PISTON

| OEM REFERENCES |  | CROSS REFERENCES |           |
|----------------|--|------------------|-----------|
|                |  | Contitech        | 4911 NP02 |
|                |  |                  |           |
|                |  |                  |           |
|                |  |                  |           |
|                |  |                  |           |
|                |  |                  |           |
|                |  |                  |           |
|                |  |                  |           |
|                |  |                  |           |



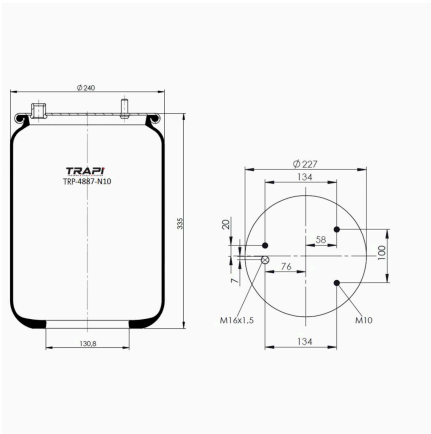
## TRP-4886-N AIR SPRING WITHOUT PISTON

| OEM REFERENCES |               | CROSS REFERENCES |            |
|----------------|---------------|------------------|------------|
| MAN            | 81.43601.0165 | Contitech        | 4886 N P02 |
|                |               | Airtech          | 34886 P    |
|                |               |                  |            |
|                |               |                  |            |
|                |               |                  |            |
|                |               |                  |            |
|                |               |                  |            |
|                |               |                  |            |



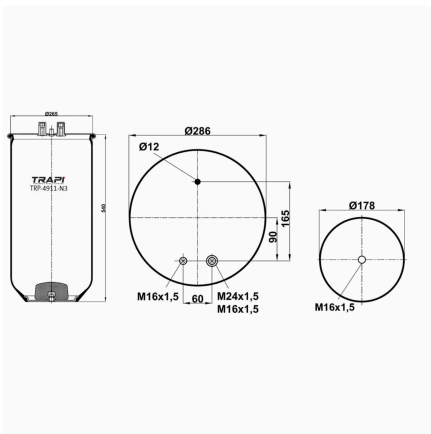
## TRP-4887-N AIR SPRING WITHOUT PISTON

| OEM REFERENCES |             | CROSS REFERENCES |  |
|----------------|-------------|------------------|--|
| BMC            | 31100130410 |                  |  |
|                |             |                  |  |
|                |             |                  |  |
|                |             |                  |  |
|                |             |                  |  |
|                |             |                  |  |
|                |             |                  |  |
|                |             |                  |  |



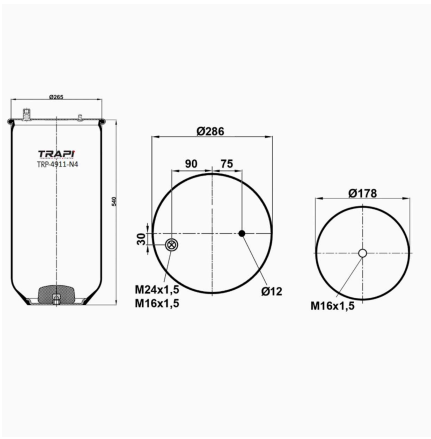
## TRP-4887-N10 AIR SPRING WITHOUT PISTON

| OEM REFERENCES |  | CROSS REFERENCES |                  |
|----------------|--|------------------|------------------|
|                |  | Firestone        | W01 M58 8681**SA |
|                |  |                  |                  |
|                |  |                  |                  |
|                |  |                  |                  |
|                |  |                  |                  |
|                |  |                  |                  |
|                |  |                  |                  |
|                |  |                  |                  |



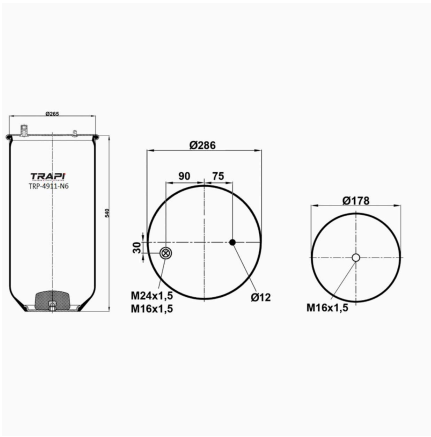
## TRP-4911-N3 AIR SPRING WITHOUT PISTON

| OEM REFERENCES |  | CROSS REFERENCES |           |
|----------------|--|------------------|-----------|
|                |  | Contitech        | 4911 NP02 |
|                |  |                  |           |
|                |  |                  |           |
|                |  |                  |           |
|                |  |                  |           |
|                |  |                  |           |
|                |  |                  |           |
|                |  |                  |           |



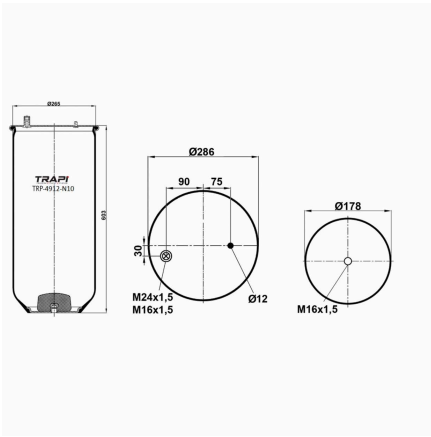
## TRP-4911-N4 AIR SPRING WITHOUT PISTON

| OEM REFERENCES |  | CROSS REFERENCES |                |
|----------------|--|------------------|----------------|
|                |  | Contitech        | 4911 N P04**SA |
|                |  |                  |                |
|                |  |                  |                |
|                |  |                  |                |
|                |  |                  |                |
|                |  |                  |                |
|                |  |                  |                |
|                |  |                  |                |
|                |  |                  |                |
|                |  |                  |                |



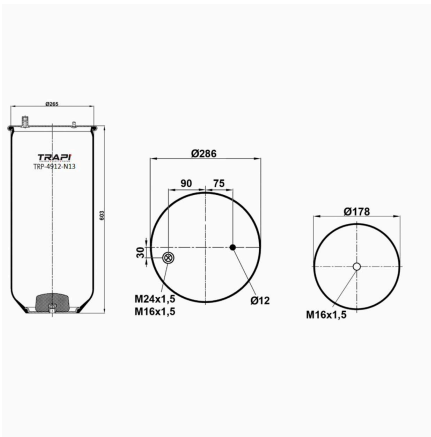
## TRP-4911-N6 AIR SPRING WITHOUT PISTON

| OEM REFERENCES |  | CROSS REFERENCES |                |
|----------------|--|------------------|----------------|
|                |  | Contitech        | 4911 N P06**SA |
|                |  |                  |                |
|                |  |                  |                |
|                |  |                  |                |
|                |  |                  |                |
|                |  |                  |                |
|                |  |                  |                |
|                |  |                  |                |
|                |  |                  |                |
|                |  |                  |                |
|                |  |                  |                |



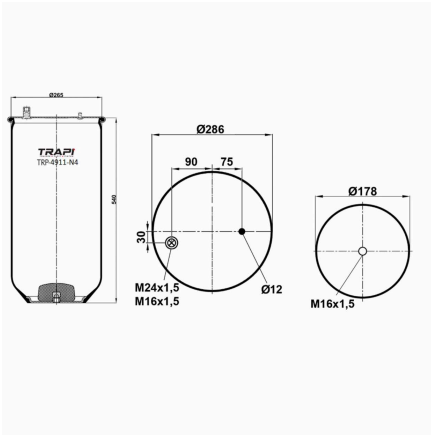
## TRP-4912-N10 AIR SPRING WITHOUT PISTON

| OEM REFERENCES |  | CROSS REFERENCES |              |
|----------------|--|------------------|--------------|
|                |  | Contitech        | 4912NP10**SA |
|                |  |                  |              |
|                |  |                  |              |
|                |  |                  |              |
|                |  |                  |              |
|                |  |                  |              |
|                |  |                  |              |
|                |  |                  |              |
|                |  |                  |              |
|                |  |                  |              |
|                |  |                  |              |



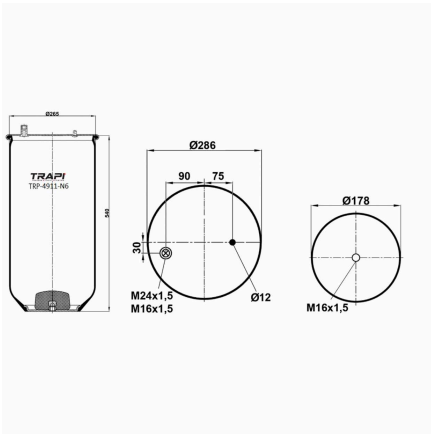
## TRP-4912-N13 AIR SPRING WITHOUT PISTON

| OEM REFERENCES |  | CROSS REFERENCES |              |
|----------------|--|------------------|--------------|
|                |  | Contitech        | 4912NP13**SA |
|                |  |                  |              |
|                |  |                  |              |
|                |  |                  |              |
|                |  |                  |              |
|                |  |                  |              |
|                |  |                  |              |
|                |  |                  |              |
|                |  |                  |              |
|                |  |                  |              |
|                |  |                  |              |



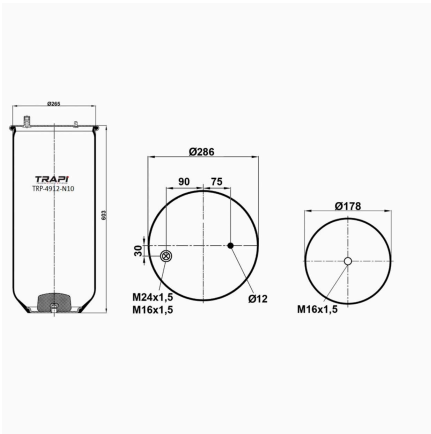
## TRP-4911-N4 AIR SPRING WITHOUT PISTON

| OEM REFERENCES |  | CROSS REFERENCES |                |
|----------------|--|------------------|----------------|
|                |  | Contitech        | 4911 N P04**SA |
|                |  |                  |                |
|                |  |                  |                |
|                |  |                  |                |
|                |  |                  |                |
|                |  |                  |                |
|                |  |                  |                |
|                |  |                  |                |
|                |  |                  |                |
|                |  |                  |                |



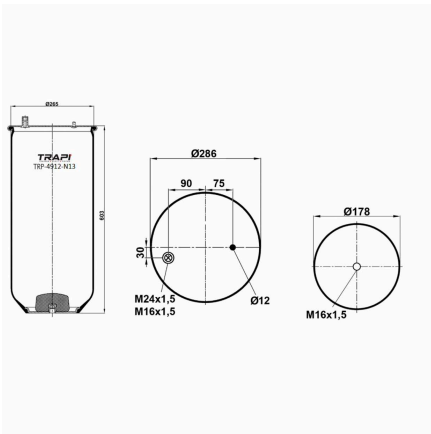
## TRP-4911-N6 AIR SPRING WITHOUT PISTON

| OEM REFERENCES |  | CROSS REFERENCES |                |
|----------------|--|------------------|----------------|
|                |  | Contitech        | 4911 N P06**SA |
|                |  |                  |                |
|                |  |                  |                |
|                |  |                  |                |
|                |  |                  |                |
|                |  |                  |                |
|                |  |                  |                |
|                |  |                  |                |
|                |  |                  |                |
|                |  |                  |                |
|                |  |                  |                |



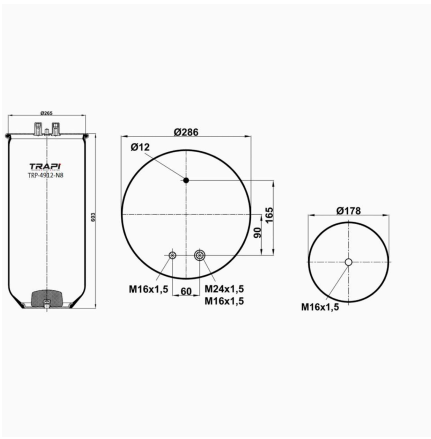
## TRP-4912-N10 AIR SPRING WITHOUT PISTON

| OEM REFERENCES |  | CROSS REFERENCES |              |
|----------------|--|------------------|--------------|
|                |  | Contitech        | 4912NP10**SA |
|                |  |                  |              |
|                |  |                  |              |
|                |  |                  |              |
|                |  |                  |              |
|                |  |                  |              |
|                |  |                  |              |
|                |  |                  |              |
|                |  |                  |              |
|                |  |                  |              |
|                |  |                  |              |



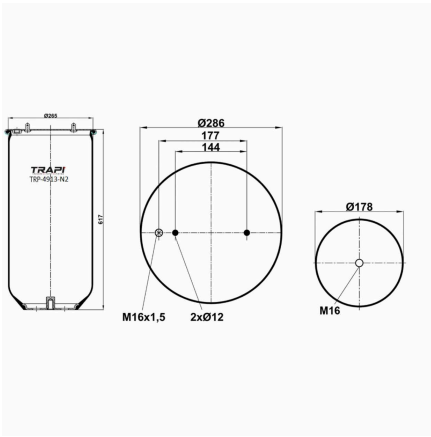
## TRP-4912-N13 AIR SPRING WITHOUT PISTON

| OEM REFERENCES |  | CROSS REFERENCES |              |
|----------------|--|------------------|--------------|
|                |  | Contitech        | 4912NP13**SA |
|                |  |                  |              |
|                |  |                  |              |
|                |  |                  |              |
|                |  |                  |              |
|                |  |                  |              |
|                |  |                  |              |
|                |  |                  |              |
|                |  |                  |              |
|                |  |                  |              |
|                |  |                  |              |



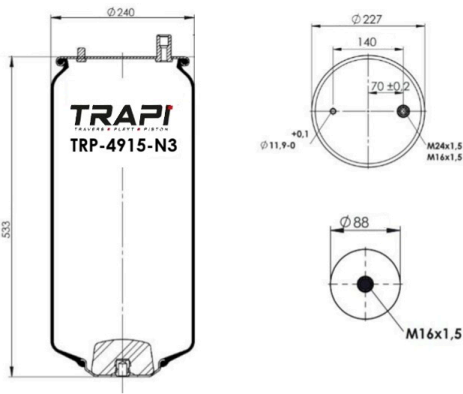
## TRP-4912-N8 AIR SPRING WITHOUT PISTON

| OEM REFERENCES |            | CROSS REFERENCES |          |
|----------------|------------|------------------|----------|
| RENAULT V.I    | 5001832067 | Goodyear         | 1R13-713 |
|                |            | Contitech        | 4912NP08 |
|                |            | Cf Gomma         | 1TS19E-4 |
|                |            |                  |          |
|                |            |                  |          |
|                |            |                  |          |
|                |            |                  |          |
|                |            |                  |          |



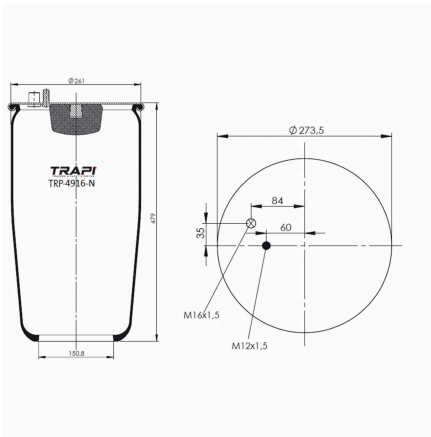
## TRP-4913-N2 AIR SPRING WITHOUT PISTON

| OEM REFERENCES |         | CROSS REFERENCES |                |
|----------------|---------|------------------|----------------|
| SCANIA         | 1379393 | Phoenix          | 1 D 28 H-16 NP |
|                |         | Goodyear         | 1R14-755       |
|                |         | Contitech        | 4913NP04       |
|                |         |                  |                |
|                |         |                  |                |
|                |         |                  |                |
|                |         |                  |                |
|                |         |                  |                |



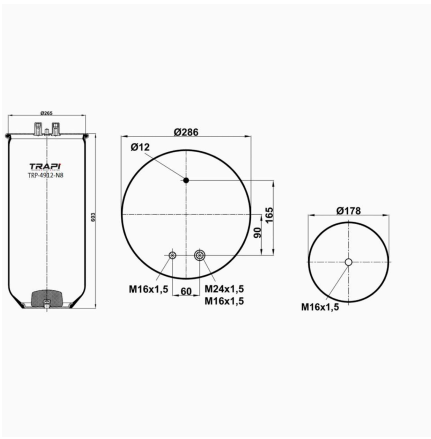
## TRP-4915-N3 AIR SPRING WITHOUT PISTON

| OEM REFERENCES |            | CROSS REFERENCES |          |
|----------------|------------|------------------|----------|
| RENAULT V.I    | 5001855856 | Contitech        | 4915NP03 |
|                |            |                  |          |
|                |            |                  |          |
|                |            |                  |          |
|                |            |                  |          |
|                |            |                  |          |
|                |            |                  |          |
|                |            |                  |          |



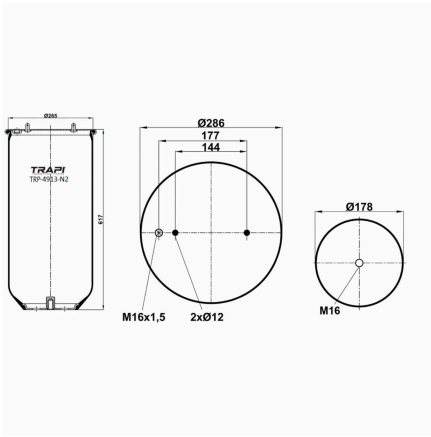
## TRP-4916-N AIR SPRING WITHOUT PISTON

| OEM REFERENCES |               | CROSS REFERENCES |             |
|----------------|---------------|------------------|-------------|
| MAN            | 81.43601.0158 | Contitech        | 4916 N1 P01 |
|                |               |                  |             |
|                |               |                  |             |
|                |               |                  |             |
|                |               |                  |             |
|                |               |                  |             |
|                |               |                  |             |
|                |               |                  |             |



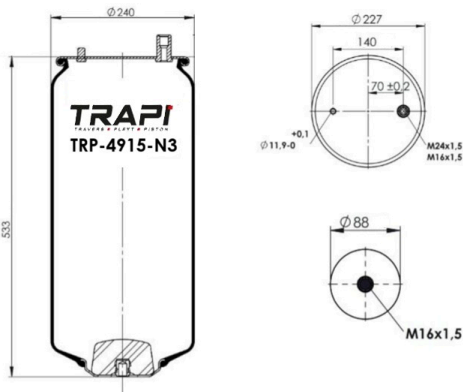
## TRP-4912-N8 AIR SPRING WITHOUT PISTON

| OEM REFERENCES |            | CROSS REFERENCES |          |
|----------------|------------|------------------|----------|
| RENAULT V.I    | 5001832067 | Goodyear         | 1R13-713 |
|                |            | Contitech        | 4912NP08 |
|                |            | Cf Gomma         | 1TS19E-4 |
|                |            |                  |          |
|                |            |                  |          |
|                |            |                  |          |
|                |            |                  |          |
|                |            |                  |          |



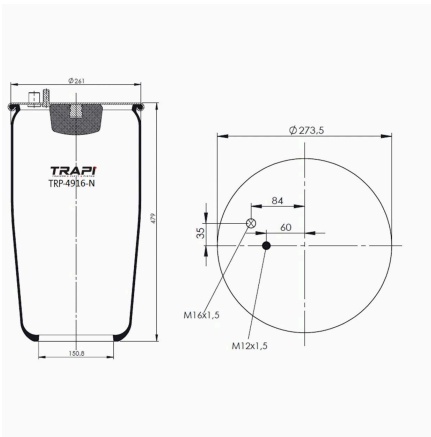
## TRP-4913-N2 AIR SPRING WITHOUT PISTON

| OEM REFERENCES |         | CROSS REFERENCES |                |
|----------------|---------|------------------|----------------|
| SCANIA         | 1379393 | Phoenix          | 1 D 28 H-16 NP |
|                |         | Goodyear         | 1R14-755       |
|                |         | Contitech        | 4913NP04       |
|                |         |                  |                |
|                |         |                  |                |
|                |         |                  |                |
|                |         |                  |                |
|                |         |                  |                |



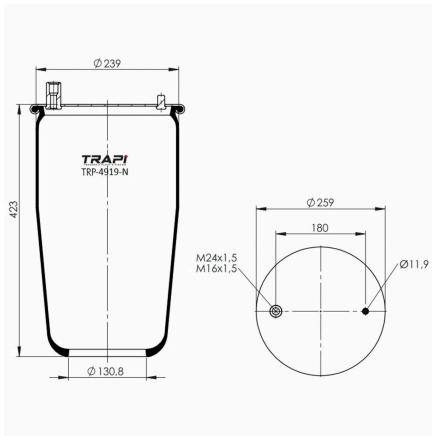
## TRP-4915-N3 AIR SPRING WITHOUT PISTON

| OEM REFERENCES |            | CROSS REFERENCES |          |
|----------------|------------|------------------|----------|
| RENAULT V.I    | 5001855856 | Contitech        | 4915NP03 |
|                |            |                  |          |
|                |            |                  |          |
|                |            |                  |          |
|                |            |                  |          |
|                |            |                  |          |
|                |            |                  |          |
|                |            |                  |          |



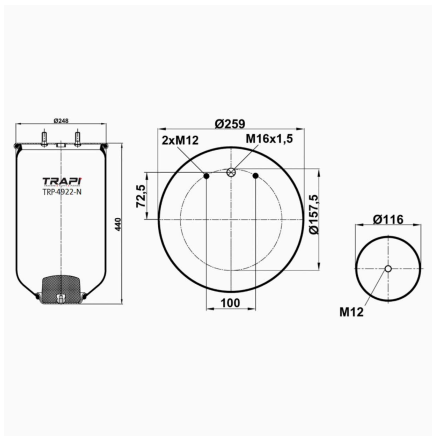
## TRP-4916-N AIR SPRING WITHOUT PISTON

| OEM REFERENCES |               | CROSS REFERENCES |             |
|----------------|---------------|------------------|-------------|
| MAN            | 81.43601.0158 | Contitech        | 4916 N1 P01 |
|                |               |                  |             |
|                |               |                  |             |
|                |               |                  |             |
|                |               |                  |             |
|                |               |                  |             |
|                |               |                  |             |
|                |               |                  |             |



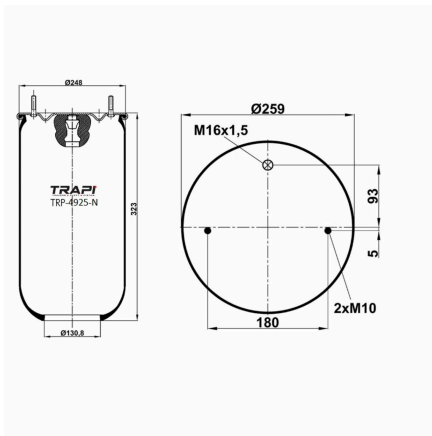
## TRP-4919-N AIR SPRING WITHOUT PISTON

| OEM REFERENCES |  | CROSS REFERENCES |         |
|----------------|--|------------------|---------|
|                |  | Airtech          | 34919 P |
|                |  |                  |         |
|                |  |                  |         |
|                |  |                  |         |
|                |  |                  |         |
|                |  |                  |         |
|                |  |                  |         |



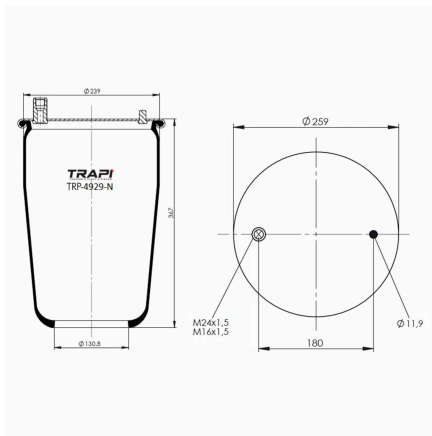
## TRP-4922-N AIR SPRING WITHOUT PISTON

| OEM REFERENCES |  | CROSS REFERENCES |                  |
|----------------|--|------------------|------------------|
|                |  | Airtech          | 34922 P / 122552 |
|                |  | Contitech        | 4922 N           |
|                |  |                  |                  |
|                |  |                  |                  |
|                |  |                  |                  |
|                |  |                  |                  |
|                |  |                  |                  |



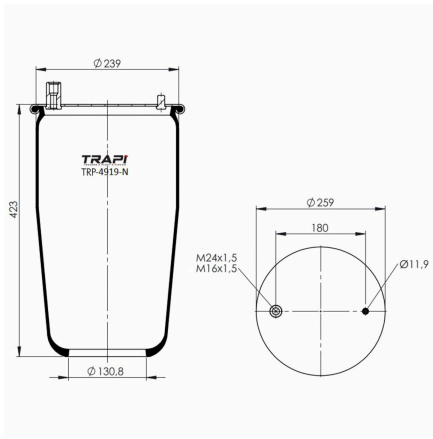
## TRP-4925-N AIR SPRING WITHOUT PISTON

| OEM REFERENCES |  | CROSS REFERENCES |                  |
|----------------|--|------------------|------------------|
|                |  | Airtech          | 34925 P / 120252 |
|                |  |                  |                  |
|                |  |                  |                  |
|                |  |                  |                  |
|                |  |                  |                  |
|                |  |                  |                  |
|                |  |                  |                  |



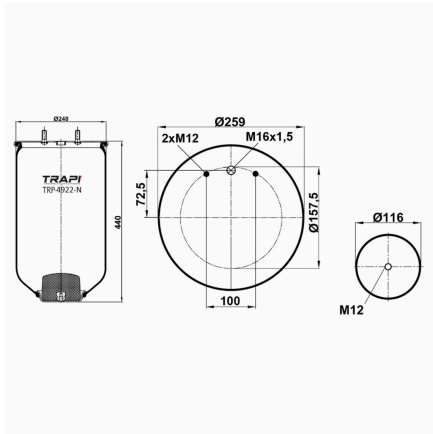
## TRP-4929-N AIR SPRING WITHOUT PISTON

| OEM REFERENCES |  | CROSS REFERENCES |                   |
|----------------|--|------------------|-------------------|
|                |  | Contitech        | 4929 N P01 RT**SA |
|                |  |                  |                   |
|                |  |                  |                   |
|                |  |                  |                   |
|                |  |                  |                   |
|                |  |                  |                   |
|                |  |                  |                   |



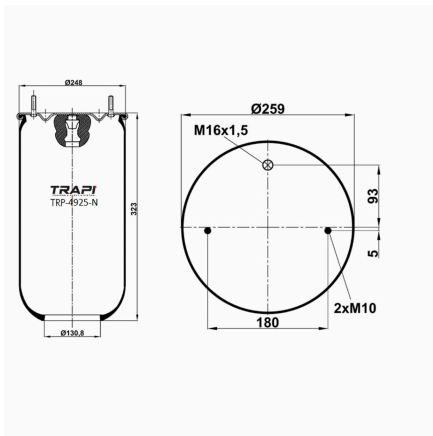
## TRP-4919-N AIR SPRING WITHOUT PISTON

| OEM REFERENCES |  | CROSS REFERENCES |         |
|----------------|--|------------------|---------|
|                |  | Airtech          | 34919 P |
|                |  |                  |         |
|                |  |                  |         |
|                |  |                  |         |
|                |  |                  |         |
|                |  |                  |         |
|                |  |                  |         |



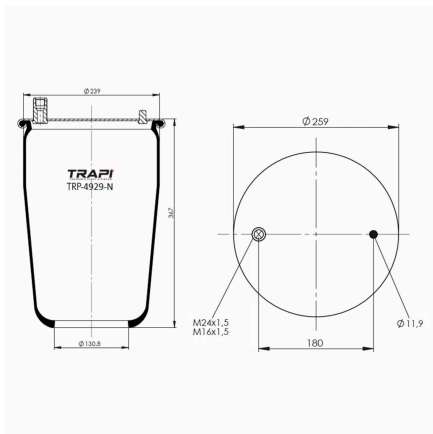
## TRP-4922-N AIR SPRING WITHOUT PISTON

| OEM REFERENCES |  | CROSS REFERENCES |                  |
|----------------|--|------------------|------------------|
|                |  | Airtech          | 34922 P / 122552 |
|                |  | Contitech        | 4922 N           |
|                |  |                  |                  |
|                |  |                  |                  |
|                |  |                  |                  |
|                |  |                  |                  |
|                |  |                  |                  |



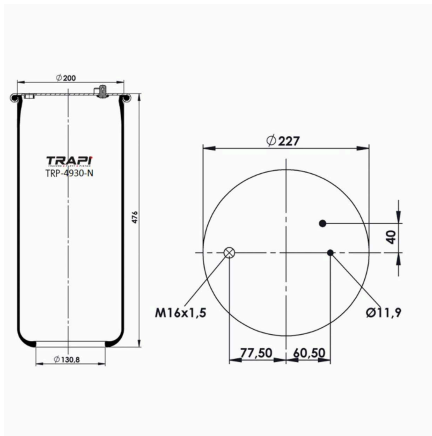
## TRP-4925-N AIR SPRING WITHOUT PISTON

| OEM REFERENCES |  | CROSS REFERENCES |                  |
|----------------|--|------------------|------------------|
|                |  | Airtech          | 34925 P / 120252 |
|                |  |                  |                  |
|                |  |                  |                  |
|                |  |                  |                  |
|                |  |                  |                  |
|                |  |                  |                  |
|                |  |                  |                  |



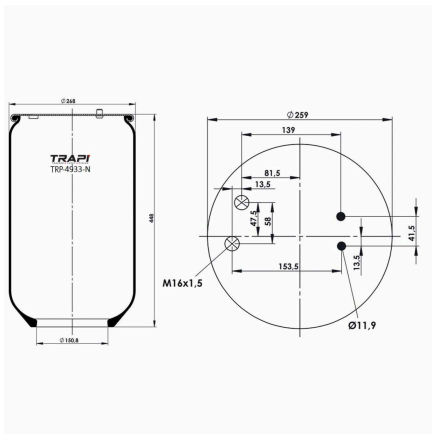
## TRP-4929-N AIR SPRING WITHOUT PISTON

| OEM REFERENCES |  | CROSS REFERENCES |                   |
|----------------|--|------------------|-------------------|
|                |  | Contitech        | 4929 N P01 RT**SA |
|                |  |                  |                   |
|                |  |                  |                   |
|                |  |                  |                   |
|                |  |                  |                   |
|                |  |                  |                   |
|                |  |                  |                   |



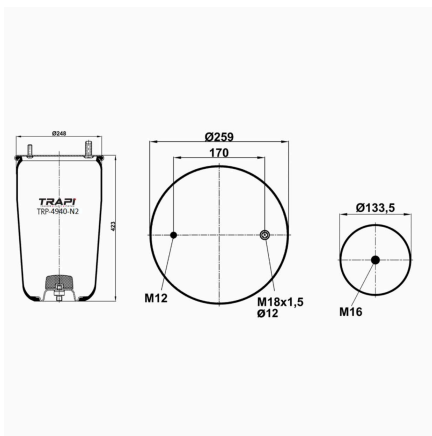
## TRP-4930-N AIR SPRING WITHOUT PISTON

| OEM REFERENCES |  | CROSS REFERENCES |         |
|----------------|--|------------------|---------|
|                |  | Airtech          | 34930 P |
|                |  |                  |         |
|                |  |                  |         |
|                |  |                  |         |
|                |  |                  |         |
|                |  |                  |         |
|                |  |                  |         |
|                |  |                  |         |



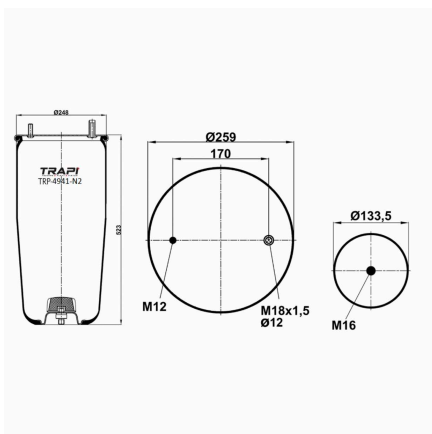
## TRP-4933-N AIR SPRING WITHOUT PISTON

| OEM REFERENCES |         | CROSS REFERENCES |             |
|----------------|---------|------------------|-------------|
| SCANIA         | 1434933 | Airtech          | 34933 K**SA |
|                |         |                  |             |
|                |         |                  |             |
|                |         |                  |             |
|                |         |                  |             |
|                |         |                  |             |
|                |         |                  |             |
|                |         |                  |             |



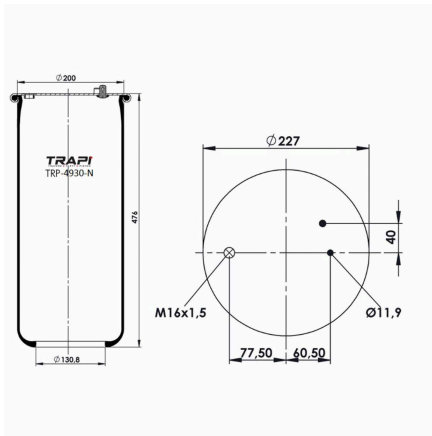
## TRP-4940-N2 AIR SPRING WITHOUT PISTON

| OEM REFERENCES |                | CROSS REFERENCES |          |
|----------------|----------------|------------------|----------|
| BPW            | BPW30K         | Contitech        | 4940NP02 |
| BPW            | 05.429.41.56.0 |                  |          |
|                |                |                  |          |
|                |                |                  |          |
|                |                |                  |          |
|                |                |                  |          |
|                |                |                  |          |
|                |                |                  |          |



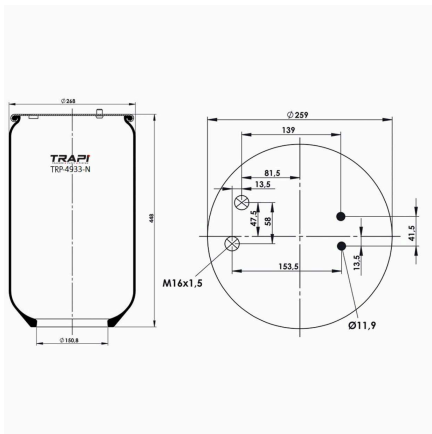
## TRP-4941-N2 AIR SPRING WITHOUT PISTON

| OEM REFERENCES |                | CROSS REFERENCES |          |
|----------------|----------------|------------------|----------|
| BPW            | BPW30          | Contitech        | 4941NP02 |
| BPW            | 05.429.41.25.0 |                  |          |
|                |                |                  |          |
|                |                |                  |          |
|                |                |                  |          |
|                |                |                  |          |
|                |                |                  |          |
|                |                |                  |          |



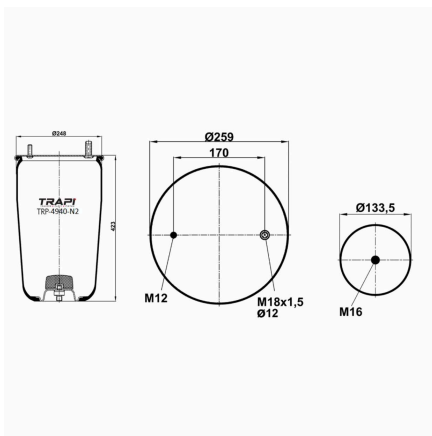
## TRP-4930-N AIR SPRING WITHOUT PISTON

| OEM REFERENCES |  | CROSS REFERENCES |         |
|----------------|--|------------------|---------|
|                |  | Airtech          | 34930 P |
|                |  |                  |         |
|                |  |                  |         |
|                |  |                  |         |
|                |  |                  |         |
|                |  |                  |         |
|                |  |                  |         |



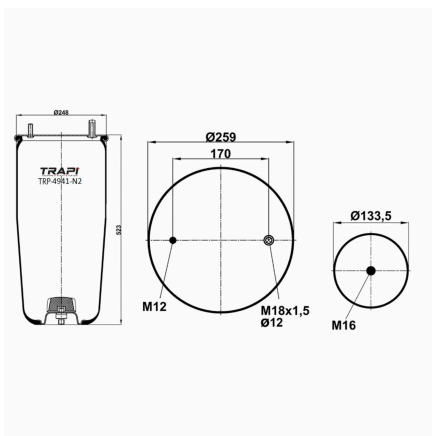
## TRP-4933-N AIR SPRING WITHOUT PISTON

| OEM REFERENCES |         | CROSS REFERENCES |             |
|----------------|---------|------------------|-------------|
| SCANIA         | 1434933 | Airtech          | 34933 K**SA |
|                |         |                  |             |
|                |         |                  |             |
|                |         |                  |             |
|                |         |                  |             |
|                |         |                  |             |
|                |         |                  |             |



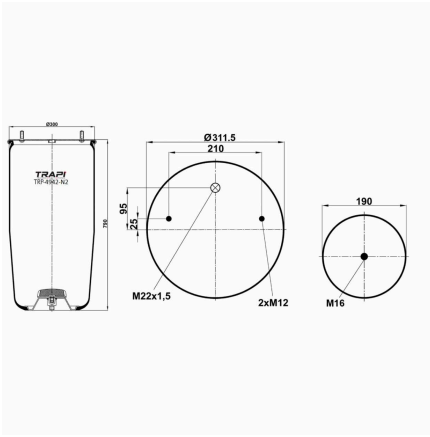
## TRP-4940-N2 AIR SPRING WITHOUT PISTON

| OEM REFERENCES |                | CROSS REFERENCES |          |
|----------------|----------------|------------------|----------|
| BPW            | BPW30K         | Contitech        | 4940NP02 |
| BPW            | 05.429.41.56.0 |                  |          |
|                |                |                  |          |
|                |                |                  |          |
|                |                |                  |          |
|                |                |                  |          |
|                |                |                  |          |



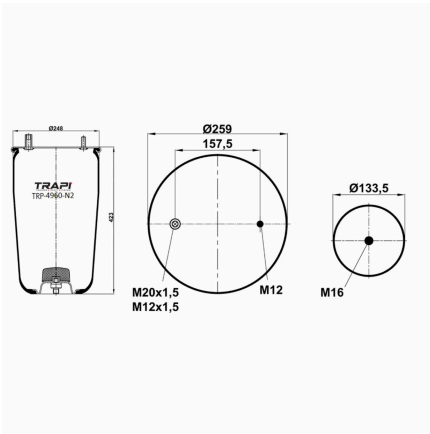
## TRP-4941-N2 AIR SPRING WITHOUT PISTON

| OEM REFERENCES |                | CROSS REFERENCES |          |
|----------------|----------------|------------------|----------|
| BPW            | BPW30          | Contitech        | 4941NP02 |
| BPW            | 05.429.41.25.0 |                  |          |
|                |                |                  |          |
|                |                |                  |          |
|                |                |                  |          |
|                |                |                  |          |
|                |                |                  |          |



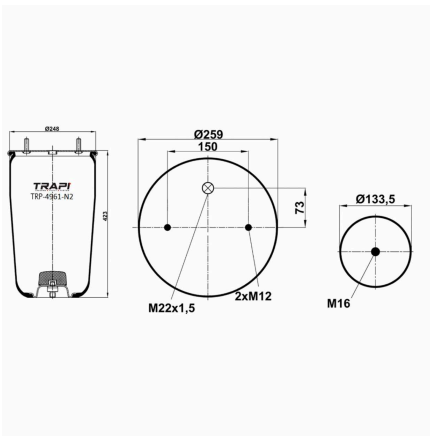
## TRP-4942-N2 AIR SPRING WITHOUT PISTON

| OEM REFERENCES |                | CROSS REFERENCES |          |
|----------------|----------------|------------------|----------|
| BPW            | BPW36-2        | Contitech        | 4942NP02 |
| BPW            | 05.429.41.09.0 |                  |          |
|                |                |                  |          |
|                |                |                  |          |
|                |                |                  |          |
|                |                |                  |          |
|                |                |                  |          |



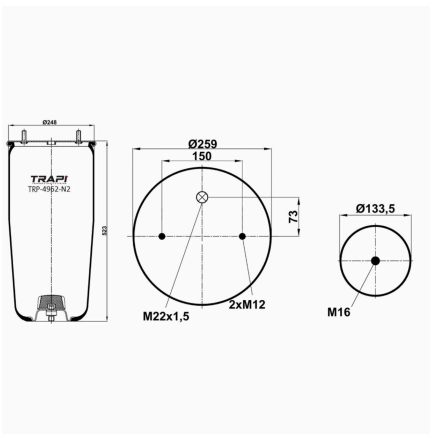
## TRP-4960-N2 AIR SPRING WITHOUT PISTON

| OEM REFERENCES |                | CROSS REFERENCES |          |
|----------------|----------------|------------------|----------|
| BPW            | BPW30K         | Springride       | D11U44   |
| BPW            | 05.429.41.77.0 | Goodyear         | 1R11-801 |
|                |                | Contitech        | 4960NP02 |
|                |                |                  |          |
|                |                |                  |          |
|                |                |                  |          |
|                |                |                  |          |
|                |                |                  |          |



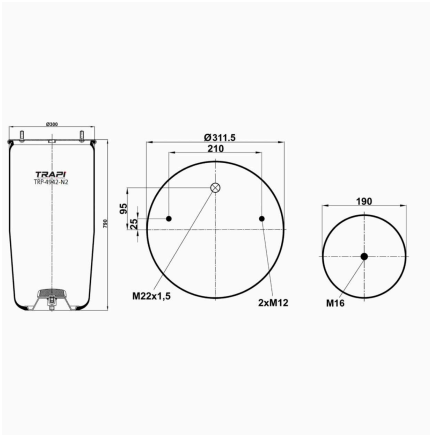
## TRP-4961-N2 AIR SPRING WITHOUT PISTON

| OEM REFERENCES |                | CROSS REFERENCES |          |
|----------------|----------------|------------------|----------|
| BPW            | BPW30K         | Springride       | D11U43   |
| BPW            | 05.429.42.04.0 | Goodyear         | 1R11-800 |
|                |                | Contitech        | 4961NP02 |
|                |                |                  |          |
|                |                |                  |          |
|                |                |                  |          |
|                |                |                  |          |
|                |                |                  |          |



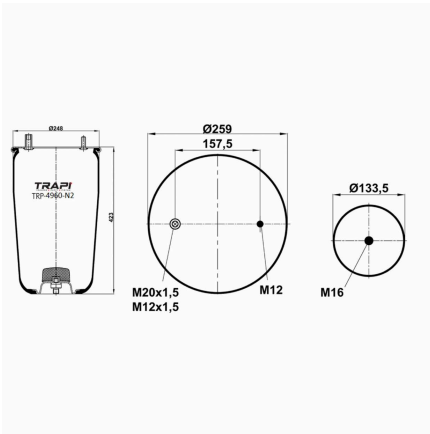
## TRP-4962-N2 AIR SPRING WITHOUT PISTON

| OEM REFERENCES |                | CROSS REFERENCES |          |
|----------------|----------------|------------------|----------|
| BPW            | BPW30          | Contitech        | 4962NP02 |
| BPW            | 05.429.42.03.0 |                  |          |
|                |                |                  |          |
|                |                |                  |          |
|                |                |                  |          |
|                |                |                  |          |
|                |                |                  |          |
|                |                |                  |          |



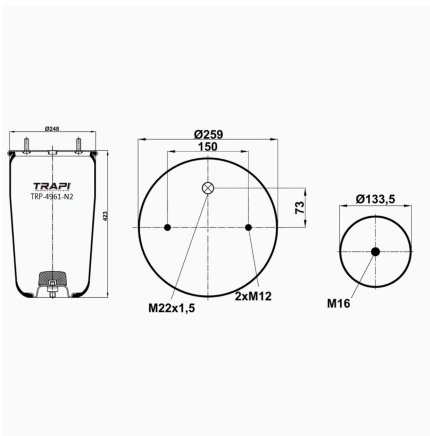
## TRP-4942-N2 AIR SPRING WITHOUT PISTON

| OEM REFERENCES |                | CROSS REFERENCES |          |
|----------------|----------------|------------------|----------|
| BPW            | BPW36-2        | Contitech        | 4942NP02 |
| BPW            | 05.429.41.09.0 |                  |          |
|                |                |                  |          |
|                |                |                  |          |
|                |                |                  |          |
|                |                |                  |          |
|                |                |                  |          |



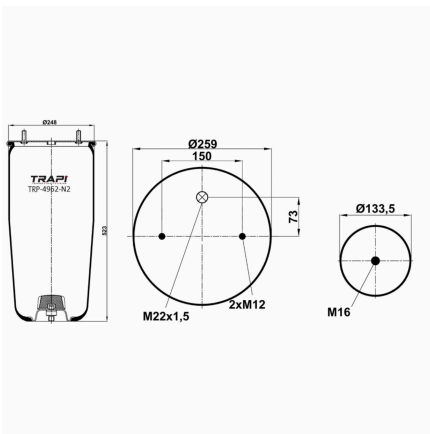
## TRP-4960-N2 AIR SPRING WITHOUT PISTON

| OEM REFERENCES |                | CROSS REFERENCES |          |
|----------------|----------------|------------------|----------|
| BPW            | BPW30K         | Springride       | D11U44   |
| BPW            | 05.429.41.77.0 | Goodyear         | 1R11-801 |
|                |                | Contitech        | 4960NP02 |
|                |                |                  |          |
|                |                |                  |          |
|                |                |                  |          |
|                |                |                  |          |
|                |                |                  |          |



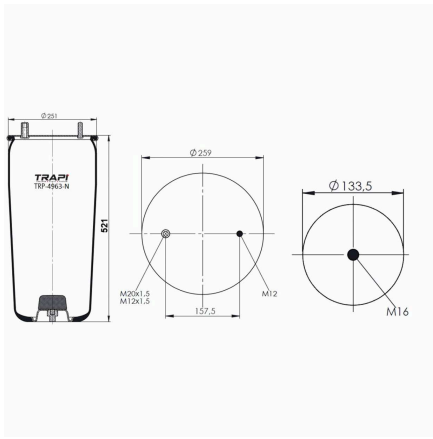
## TRP-4961-N2 AIR SPRING WITHOUT PISTON

| OEM REFERENCES |                | CROSS REFERENCES |          |
|----------------|----------------|------------------|----------|
| BPW            | BPW30K         | Springride       | D11U43   |
| BPW            | 05.429.42.04.0 | Goodyear         | 1R11-800 |
|                |                | Contitech        | 4961NP02 |
|                |                |                  |          |
|                |                |                  |          |
|                |                |                  |          |
|                |                |                  |          |
|                |                |                  |          |



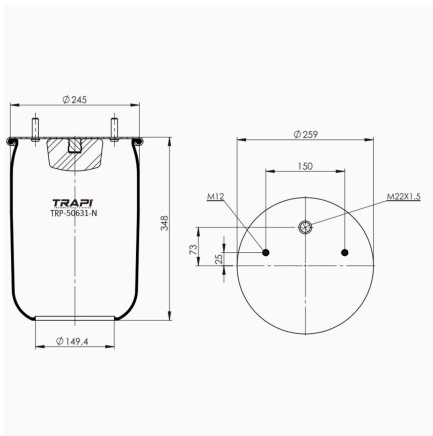
## TRP-4962-N2 AIR SPRING WITHOUT PISTON

| OEM REFERENCES |                | CROSS REFERENCES |          |
|----------------|----------------|------------------|----------|
| BPW            | BPW30          | Contitech        | 4962NP02 |
| BPW            | 05.429.42.03.0 |                  |          |
|                |                |                  |          |
|                |                |                  |          |
|                |                |                  |          |
|                |                |                  |          |
|                |                |                  |          |
|                |                |                  |          |



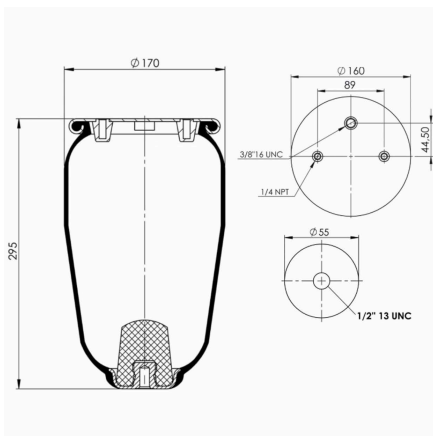
## TRP-4963-N AIR SPRING WITHOUT PISTON

| OEM REFERENCES |                | CROSS REFERENCES |            |
|----------------|----------------|------------------|------------|
| BPW            | 05.429.42.54.0 | Contitech        | 4963 N P01 |
|                |                |                  |            |
|                |                |                  |            |
|                |                |                  |            |
|                |                |                  |            |
|                |                |                  |            |
|                |                |                  |            |
|                |                |                  |            |
|                |                |                  |            |
|                |                |                  |            |



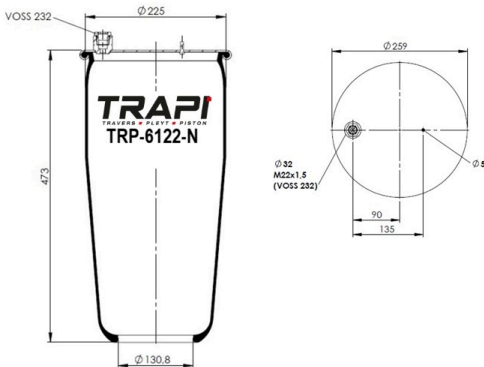
## TRP-50631-N AIR SPRING WITHOUT PISTON

| OEM REFERENCES |                       | CROSS REFERENCES |             |
|----------------|-----------------------|------------------|-------------|
| SOLARIS        | 1001 101 060 Urbino   | Vibracoustic     | 1DF25A-1**S |
| SOLARIS        | 1070 002 000 Urbino   |                  |             |
| SOLARIS        | P-1001 101 060 Urbino |                  |             |
| SOLARIS        | P-1070 002 000 Urbino |                  |             |
|                |                       |                  |             |
|                |                       |                  |             |
|                |                       |                  |             |
|                |                       |                  |             |
|                |                       |                  |             |
|                |                       |                  |             |



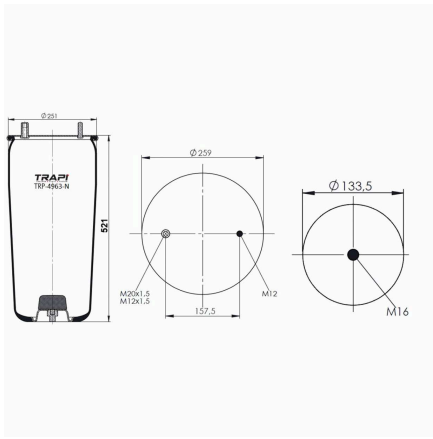
## TRP-5323-N1 AIR SPRING WITHOUT PISTON

| OEM REFERENCES |           | CROSS REFERENCES |            |
|----------------|-----------|------------------|------------|
| IVECO          | 42535665  | Firestone        | 1T14C-1    |
| IVECO          | 504035755 | Firestone        | W013585343 |
|                |           |                  |            |
|                |           |                  |            |
|                |           |                  |            |
|                |           |                  |            |
|                |           |                  |            |
|                |           |                  |            |
|                |           |                  |            |
|                |           |                  |            |



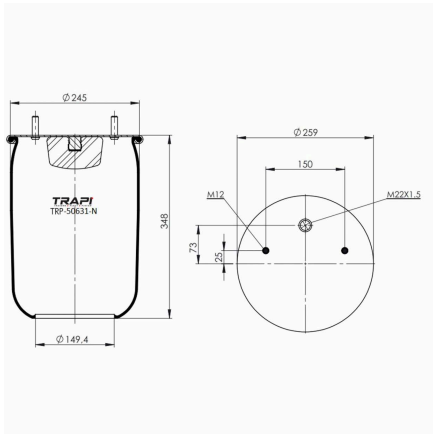
## TRP-6122-N AIR SPRING WITHOUT PISTON

| OEM REFERENCES |               | CROSS REFERENCES |             |
|----------------|---------------|------------------|-------------|
| MERCEDES-BENZ  | 960 320 00 57 | PHOENIX          | 1 DF 16 A-1 |
|                |               |                  |             |
|                |               |                  |             |
|                |               |                  |             |
|                |               |                  |             |
|                |               |                  |             |
|                |               |                  |             |
|                |               |                  |             |
|                |               |                  |             |
|                |               |                  |             |



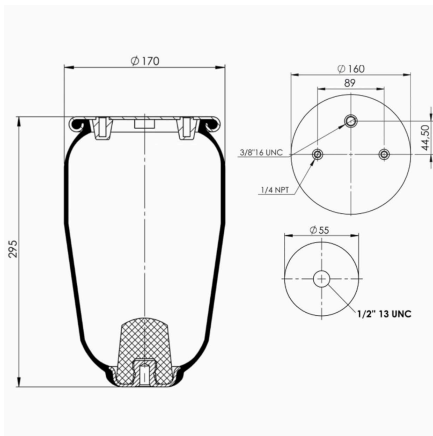
## TRP-4963-N AIR SPRING WITHOUT PISTON

| OEM REFERENCES |                | CROSS REFERENCES |            |
|----------------|----------------|------------------|------------|
| BPW            | 05.429.42.54.0 | Contitech        | 4963 N P01 |
|                |                |                  |            |
|                |                |                  |            |
|                |                |                  |            |
|                |                |                  |            |
|                |                |                  |            |
|                |                |                  |            |
|                |                |                  |            |
|                |                |                  |            |
|                |                |                  |            |



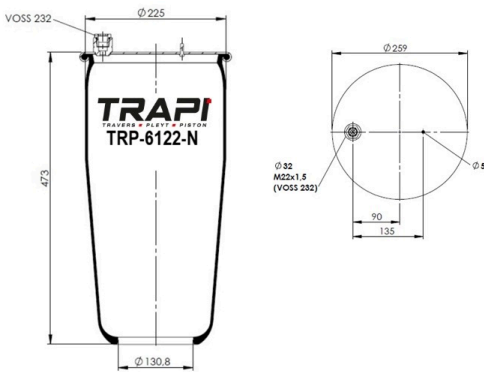
## TRP-50631-N AIR SPRING WITHOUT PISTON

| OEM REFERENCES |                       | CROSS REFERENCES |             |
|----------------|-----------------------|------------------|-------------|
| SOLARIS        | 1001 101 060 Urbino   | Vibracoustic     | 1DF25A-1**S |
| SOLARIS        | 1070 002 000 Urbino   |                  |             |
| SOLARIS        | P-1001 101 060 Urbino |                  |             |
| SOLARIS        | P-1070 002 000 Urbino |                  |             |
|                |                       |                  |             |
|                |                       |                  |             |
|                |                       |                  |             |
|                |                       |                  |             |
|                |                       |                  |             |
|                |                       |                  |             |



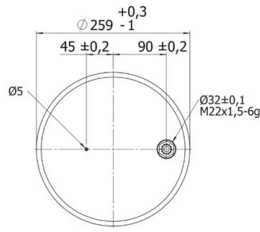
## TRP-5323-N1 AIR SPRING WITHOUT PISTON

| OEM REFERENCES |           | CROSS REFERENCES |            |
|----------------|-----------|------------------|------------|
| IVECO          | 42535665  | Firestone        | 1T14C-1    |
| IVECO          | 504035755 | Firestone        | W013585343 |
|                |           |                  |            |
|                |           |                  |            |
|                |           |                  |            |
|                |           |                  |            |
|                |           |                  |            |
|                |           |                  |            |
|                |           |                  |            |
|                |           |                  |            |
|                |           |                  |            |



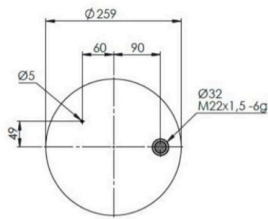
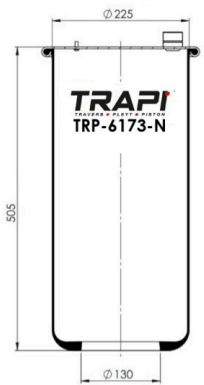
## TRP-6122-N AIR SPRING WITHOUT PISTON

| OEM REFERENCES |               | CROSS REFERENCES |             |
|----------------|---------------|------------------|-------------|
| MERCEDES-BENZ  | 960 320 00 57 | PHOENIX          | 1 DF 16 A-1 |
|                |               |                  |             |
|                |               |                  |             |
|                |               |                  |             |
|                |               |                  |             |
|                |               |                  |             |
|                |               |                  |             |
|                |               |                  |             |
|                |               |                  |             |
|                |               |                  |             |
|                |               |                  |             |



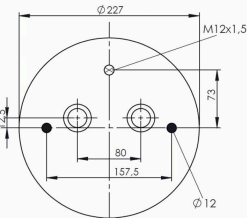
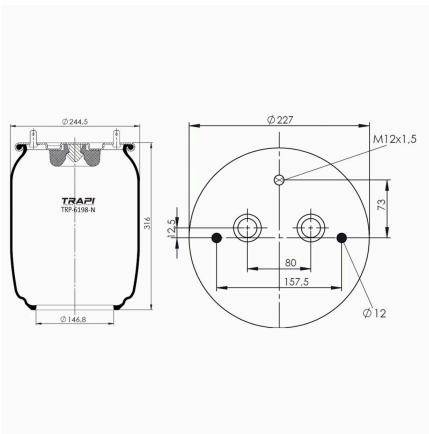
## TRP-6131-N AIR SPRING WITHOUT PISTON

| OEM REFERENCES |                     | CROSS REFERENCES |                  |
|----------------|---------------------|------------------|------------------|
| MERCEDES-BENZ  | A 960 320 34 57**SA | FIRESTONE        | W01-M58-6095**SA |
| MERCEDES-BENZ  | A 960 320 76 57**SA | FIRESTONE        | 1T17HAR-7.5      |
|                |                     | CONTITECH        | 6131 N P40**SA   |
|                |                     | FIRESTONE STYLE  | 1T17HAR-7.5      |
|                |                     |                  |                  |
|                |                     |                  |                  |
|                |                     |                  |                  |
|                |                     |                  |                  |
|                |                     |                  |                  |



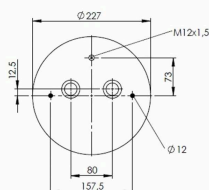
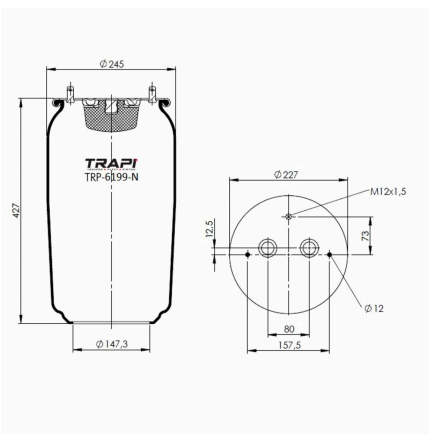
## TRP-6173-N AIR SPRING WITHOUT PISTON

| OEM REFERENCES |                     | CROSS REFERENCES |                       |
|----------------|---------------------|------------------|-----------------------|
| MERCEDES-BENZ  | A9613205421**SA     | CONTITECH        | 6173 N P40 ZGS001**SA |
| MERCEDES       | A 961 320 42 21**SA |                  |                       |
| MERCEDES       | 961 320 54 21**SA   |                  |                       |
|                |                     |                  |                       |
|                |                     |                  |                       |
|                |                     |                  |                       |
|                |                     |                  |                       |
|                |                     |                  |                       |



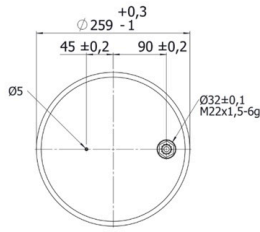
## TRP-6198-N AIR SPRING WITHOUT PISTON

| OEM REFERENCES |             | CROSS REFERENCES |               |
|----------------|-------------|------------------|---------------|
| SCANIA         | 1362143**SA | Airtech          | 36198P 123112 |
| SCANIA         | 1386198**SA |                  |               |
|                |             |                  |               |
|                |             |                  |               |
|                |             |                  |               |
|                |             |                  |               |
|                |             |                  |               |
|                |             |                  |               |



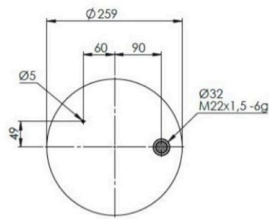
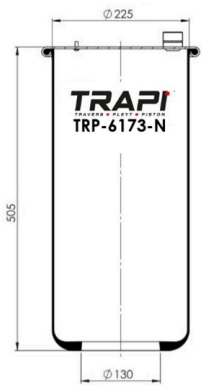
## TRP-6199-N AIR SPRING WITHOUT PISTON

| OEM REFERENCES |  | CROSS REFERENCES |               |
|----------------|--|------------------|---------------|
|                |  | Airtech          | 36199P 121582 |
|                |  |                  |               |
|                |  |                  |               |
|                |  |                  |               |
|                |  |                  |               |
|                |  |                  |               |
|                |  |                  |               |
|                |  |                  |               |



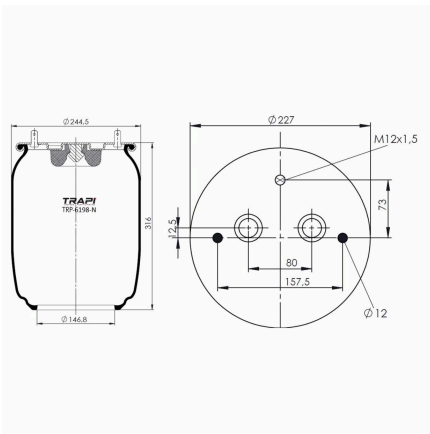
## TRP-6131-N AIR SPRING WITHOUT PISTON

| OEM REFERENCES |                     | CROSS REFERENCES |                  |
|----------------|---------------------|------------------|------------------|
| MERCEDES-BENZ  | A 960 320 34 57**SA | FIRESTONE        | W01-M58-6095**SA |
| MERCEDES-BENZ  | A 960 320 76 57**SA | FIRESTONE        | 1T17HAR-7.5      |
|                |                     | CONTITECH        | 6131 N P40**SA   |
|                |                     | FIRESTONE STYLE  | 1T17HAR-7.5      |
|                |                     |                  |                  |
|                |                     |                  |                  |
|                |                     |                  |                  |
|                |                     |                  |                  |
|                |                     |                  |                  |



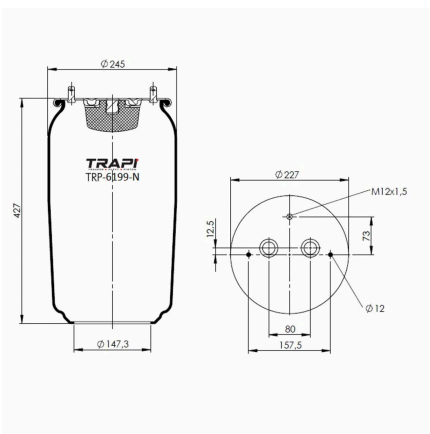
## TRP-6173-N AIR SPRING WITHOUT PISTON

| OEM REFERENCES |                     | CROSS REFERENCES |                       |
|----------------|---------------------|------------------|-----------------------|
| MERCEDES-BENZ  | A9613205421**SA     | CONTITECH        | 6173 N P40 ZGS001**SA |
| MERCEDES       | A 961 320 42 21**SA |                  |                       |
| MERCEDES       | 961 320 54 21**SA   |                  |                       |
|                |                     |                  |                       |
|                |                     |                  |                       |
|                |                     |                  |                       |
|                |                     |                  |                       |
|                |                     |                  |                       |
|                |                     |                  |                       |



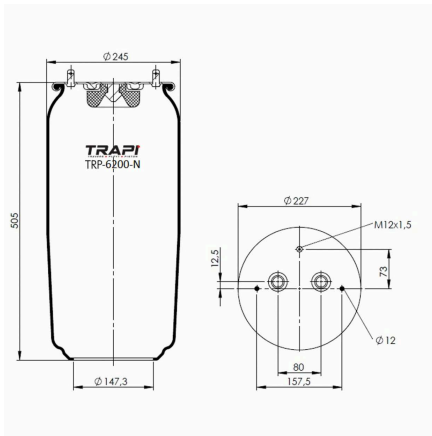
## TRP-6198-N AIR SPRING WITHOUT PISTON

| OEM REFERENCES |             | CROSS REFERENCES |               |
|----------------|-------------|------------------|---------------|
| SCANIA         | 1362143**SA | Airtech          | 36198P 123112 |
| SCANIA         | 1386198**SA |                  |               |
|                |             |                  |               |
|                |             |                  |               |
|                |             |                  |               |
|                |             |                  |               |
|                |             |                  |               |
|                |             |                  |               |
|                |             |                  |               |



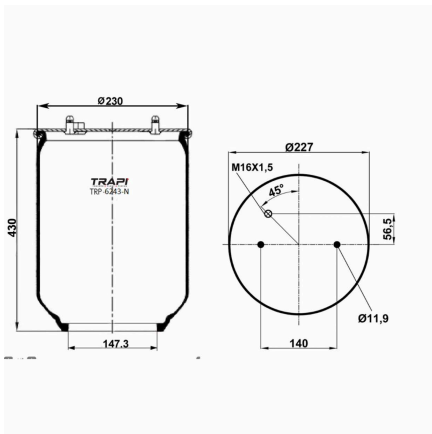
## TRP-6199-N AIR SPRING WITHOUT PISTON

| OEM REFERENCES |  | CROSS REFERENCES |               |
|----------------|--|------------------|---------------|
|                |  | Airtech          | 36199P 121582 |
|                |  |                  |               |
|                |  |                  |               |
|                |  |                  |               |
|                |  |                  |               |
|                |  |                  |               |
|                |  |                  |               |
|                |  |                  |               |
|                |  |                  |               |



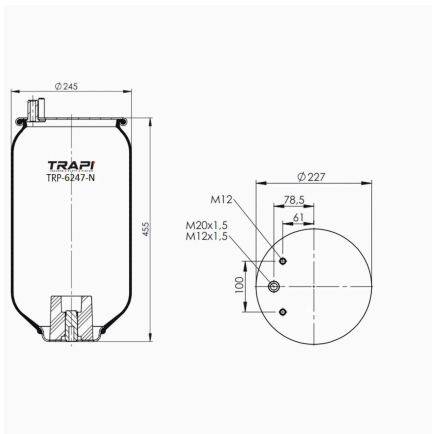
## TRP-6200-N AIR SPRING WITHOUT PISTON

| OEM REFERENCES |  | CROSS REFERENCES |                  |
|----------------|--|------------------|------------------|
|                |  | Airtech          | 36200 P / 121602 |
|                |  |                  |                  |
|                |  |                  |                  |
|                |  |                  |                  |
|                |  |                  |                  |
|                |  |                  |                  |
|                |  |                  |                  |



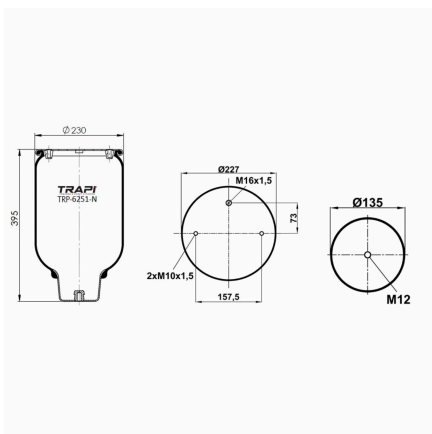
## TRP-6243-N AIR SPRING WITHOUT PISTON

| OEM REFERENCES |         | CROSS REFERENCES |              |
|----------------|---------|------------------|--------------|
| SCANIA         | 1726243 | Airtech          | 331243 K**SA |
|                |         | Goodyear         | 566-22-3-546 |
|                |         | Goodyear         | 1R11-838     |
|                |         |                  |              |
|                |         |                  |              |
|                |         |                  |              |
|                |         |                  |              |
|                |         |                  |              |



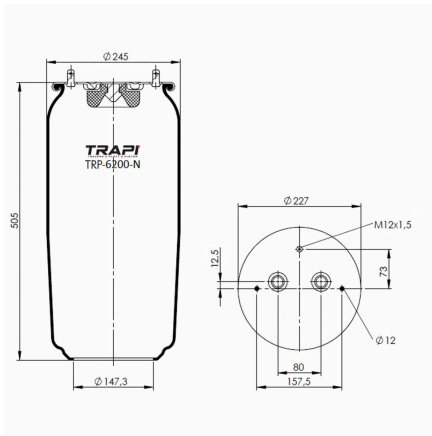
## TRP-6247-N AIR SPRING WITHOUT PISTON

| OEM REFERENCES |                | CROSS REFERENCES |               |
|----------------|----------------|------------------|---------------|
| VOLVO          | 20 386 228**SA | Airtech          | 36247 KPP**SA |
| VOLVO          | 20 352 247**SA |                  |               |
|                |                |                  |               |
|                |                |                  |               |
|                |                |                  |               |
|                |                |                  |               |
|                |                |                  |               |
|                |                |                  |               |



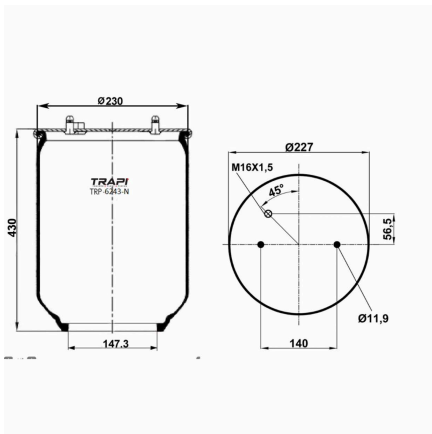
## TRP-6251-N AIR SPRING WITHOUT PISTON

| OEM REFERENCES |  | CROSS REFERENCES |                |
|----------------|--|------------------|----------------|
|                |  | Firestone        | W01M586251**SA |
|                |  | Airtech          | 36251P 122542  |
|                |  | Firestone        | 1T15AA-3       |
|                |  |                  |                |
|                |  |                  |                |
|                |  |                  |                |
|                |  |                  |                |
|                |  |                  |                |



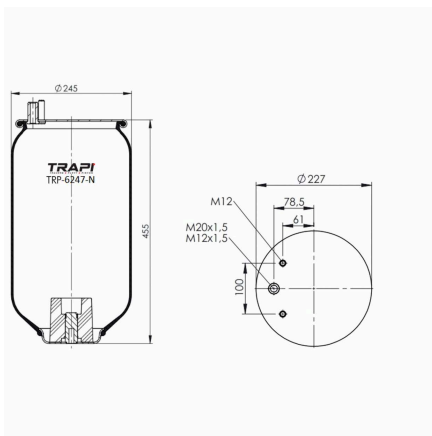
## TRP-6200-N AIR SPRING WITHOUT PISTON

| OEM REFERENCES |  | CROSS REFERENCES |                  |
|----------------|--|------------------|------------------|
|                |  | Airtech          | 36200 P / 121602 |
|                |  |                  |                  |
|                |  |                  |                  |
|                |  |                  |                  |
|                |  |                  |                  |
|                |  |                  |                  |
|                |  |                  |                  |



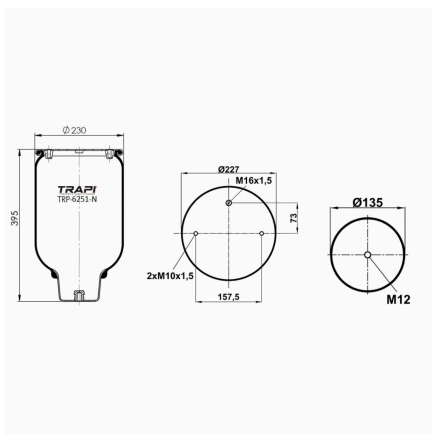
## TRP-6243-N AIR SPRING WITHOUT PISTON

| OEM REFERENCES |         | CROSS REFERENCES |              |
|----------------|---------|------------------|--------------|
| SCANIA         | 1726243 | Airtech          | 331243 K**SA |
|                |         | Goodyear         | 566-22-3-546 |
|                |         | Goodyear         | 1R11-838     |
|                |         |                  |              |
|                |         |                  |              |
|                |         |                  |              |
|                |         |                  |              |
|                |         |                  |              |



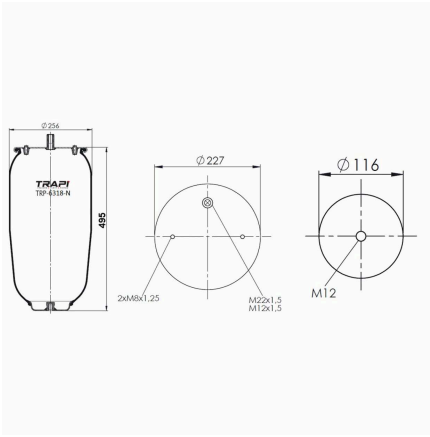
## TRP-6247-N AIR SPRING WITHOUT PISTON

| OEM REFERENCES |                | CROSS REFERENCES |               |
|----------------|----------------|------------------|---------------|
| VOLVO          | 20 386 228**SA | Airtech          | 36247 KPP**SA |
| VOLVO          | 20 352 247**SA |                  |               |
|                |                |                  |               |
|                |                |                  |               |
|                |                |                  |               |
|                |                |                  |               |
|                |                |                  |               |
|                |                |                  |               |



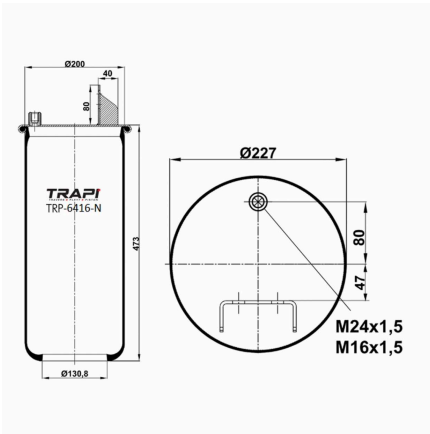
## TRP-6251-N AIR SPRING WITHOUT PISTON

| OEM REFERENCES |  | CROSS REFERENCES |                |
|----------------|--|------------------|----------------|
|                |  | Firestone        | W01M586251**SA |
|                |  | Airtech          | 36251P 122542  |
|                |  | Firestone        | 1T15AA-3       |
|                |  |                  |                |
|                |  |                  |                |
|                |  |                  |                |
|                |  |                  |                |
|                |  |                  |                |



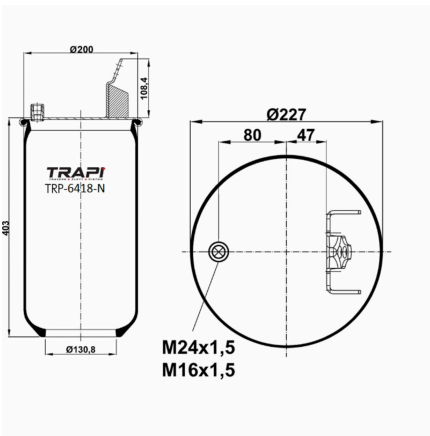
## TRP-6318-N AIR SPRING WITHOUT PISTON

| OEM REFERENCES |  | CROSS REFERENCES |                  |
|----------------|--|------------------|------------------|
|                |  | Firestone        | W01 968 6318**SA |
|                |  | Goodyear         | 1R12-840         |
|                |  |                  |                  |
|                |  |                  |                  |
|                |  |                  |                  |
|                |  |                  |                  |
|                |  |                  |                  |



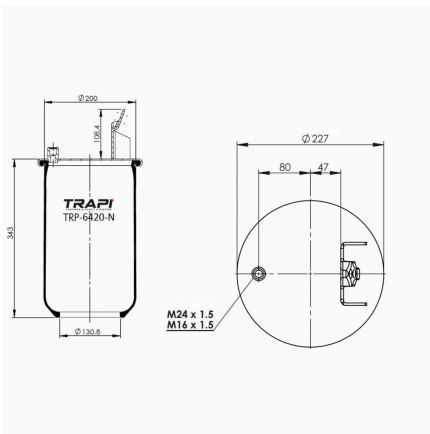
## TRP-6416-N AIR SPRING WITHOUT PISTON

| OEM REFERENCES |  | CROSS REFERENCES |                  |
|----------------|--|------------------|------------------|
|                |  | Contitech        | 6608 N P01**SA   |
|                |  | Airtech          | 36416 P / 122642 |
|                |  |                  |                  |
|                |  |                  |                  |
|                |  |                  |                  |
|                |  |                  |                  |
|                |  |                  |                  |



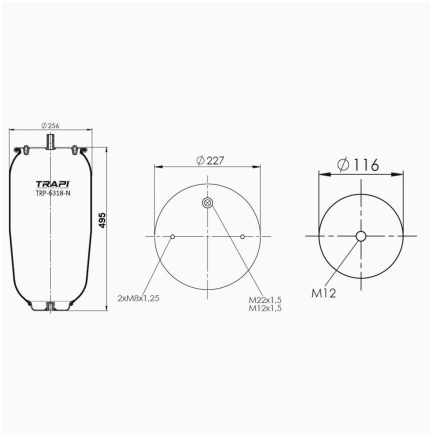
## TRP-6418-N AIR SPRING WITHOUT PISTON

| OEM REFERENCES |  | CROSS REFERENCES |                  |
|----------------|--|------------------|------------------|
|                |  | Contitech        | 6607 N P01**SA   |
|                |  | Airtech          | 36418 P / 123002 |
|                |  |                  |                  |
|                |  |                  |                  |
|                |  |                  |                  |
|                |  |                  |                  |
|                |  |                  |                  |



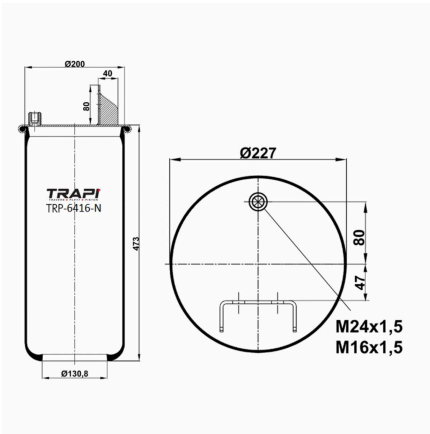
## TRP-6420-N AIR SPRING WITHOUT PISTON

| OEM REFERENCES |  | CROSS REFERENCES |             |
|----------------|--|------------------|-------------|
|                |  | Airtech          | 36420 K**SA |
|                |  |                  |             |
|                |  |                  |             |
|                |  |                  |             |
|                |  |                  |             |
|                |  |                  |             |
|                |  |                  |             |



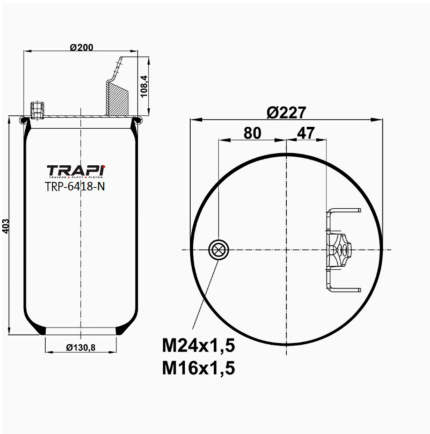
## TRP-6318-N AIR SPRING WITHOUT PISTON

| OEM REFERENCES |  | CROSS REFERENCES |                  |
|----------------|--|------------------|------------------|
|                |  | Firestone        | W01 968 6318**SA |
|                |  | Goodyear         | 1R12-840         |
|                |  |                  |                  |
|                |  |                  |                  |
|                |  |                  |                  |
|                |  |                  |                  |
|                |  |                  |                  |



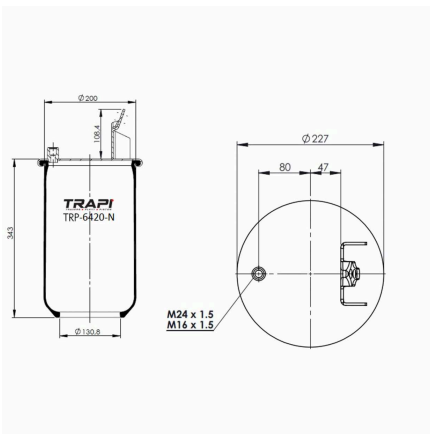
## TRP-6416-N AIR SPRING WITHOUT PISTON

| OEM REFERENCES |  | CROSS REFERENCES |                  |
|----------------|--|------------------|------------------|
|                |  | Contitech        | 6608 N P01**SA   |
|                |  | Airtech          | 36416 P / 122642 |
|                |  |                  |                  |
|                |  |                  |                  |
|                |  |                  |                  |
|                |  |                  |                  |
|                |  |                  |                  |



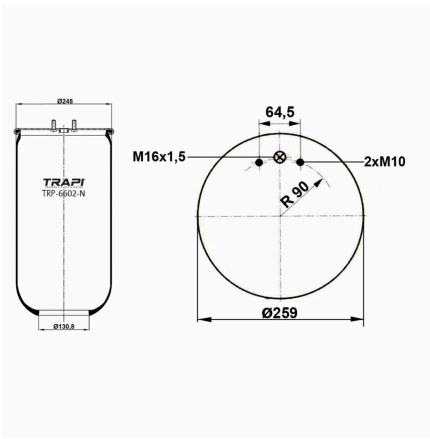
## TRP-6418-N AIR SPRING WITHOUT PISTON

| OEM REFERENCES |  | CROSS REFERENCES |                  |
|----------------|--|------------------|------------------|
|                |  | Contitech        | 6607 N P01**SA   |
|                |  | Airtech          | 36418 P / 123002 |
|                |  |                  |                  |
|                |  |                  |                  |
|                |  |                  |                  |
|                |  |                  |                  |
|                |  |                  |                  |



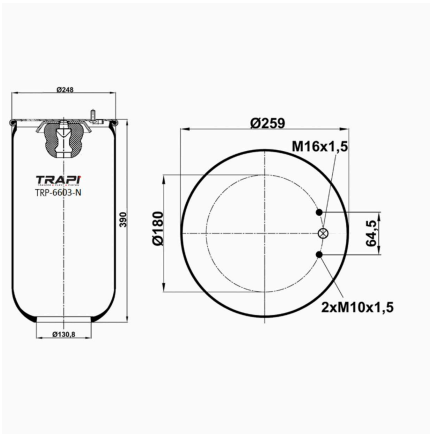
## TRP-6420-N AIR SPRING WITHOUT PISTON

| OEM REFERENCES |  | CROSS REFERENCES |             |
|----------------|--|------------------|-------------|
|                |  | Airtech          | 36420 K**SA |
|                |  |                  |             |
|                |  |                  |             |
|                |  |                  |             |
|                |  |                  |             |
|                |  |                  |             |
|                |  |                  |             |



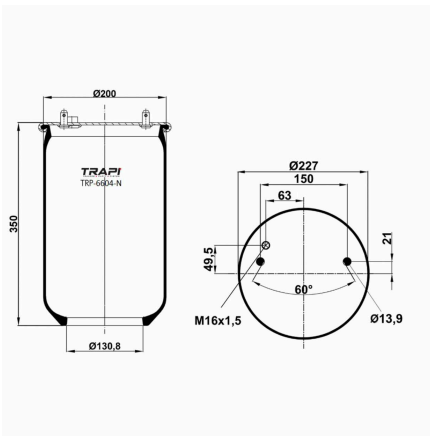
## TRP-6602-N AIR SPRING WITHOUT PISTON

| OEM REFERENCES |  | CROSS REFERENCES |                |
|----------------|--|------------------|----------------|
|                |  | Contitech        | 6602 N P01**SA |
|                |  |                  |                |
|                |  |                  |                |
|                |  |                  |                |
|                |  |                  |                |
|                |  |                  |                |
|                |  |                  |                |



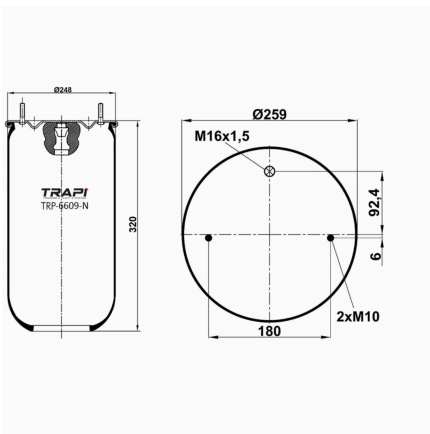
## TRP-6603-N AIR SPRING WITHOUT PISTON

| OEM REFERENCES |  | CROSS REFERENCES |              |
|----------------|--|------------------|--------------|
|                |  | Contitech        | 6603NP01**SA |
|                |  |                  |              |
|                |  |                  |              |
|                |  |                  |              |
|                |  |                  |              |
|                |  |                  |              |
|                |  |                  |              |



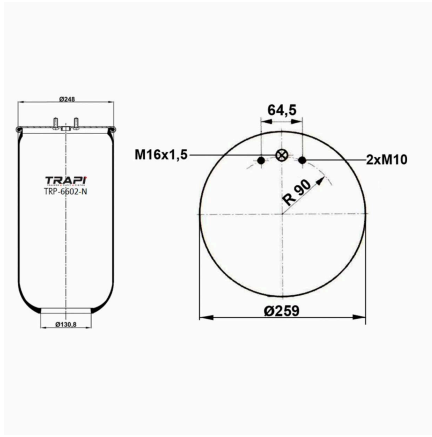
## TRP-6604-N AIR SPRING WITHOUT PISTON

| OEM REFERENCES |  | CROSS REFERENCES |                  |
|----------------|--|------------------|------------------|
|                |  | Contitech        | 6604 N P01**SA   |
|                |  | Airtech          | 36108 P / 122262 |
|                |  |                  |                  |
|                |  |                  |                  |
|                |  |                  |                  |
|                |  |                  |                  |
|                |  |                  |                  |



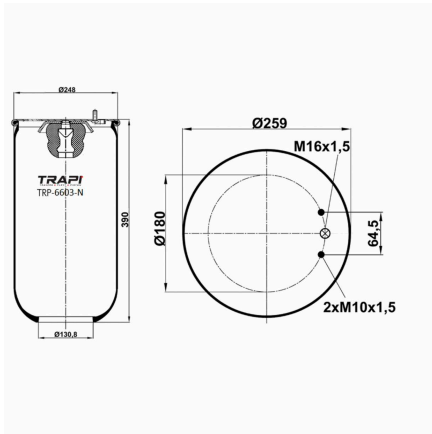
## TRP-6609-N AIR SPRING WITHOUT PISTON

| OEM REFERENCES |  | CROSS REFERENCES |                |
|----------------|--|------------------|----------------|
|                |  | Contitech        | 6609 N P01**SA |
|                |  |                  |                |
|                |  |                  |                |
|                |  |                  |                |
|                |  |                  |                |
|                |  |                  |                |
|                |  |                  |                |



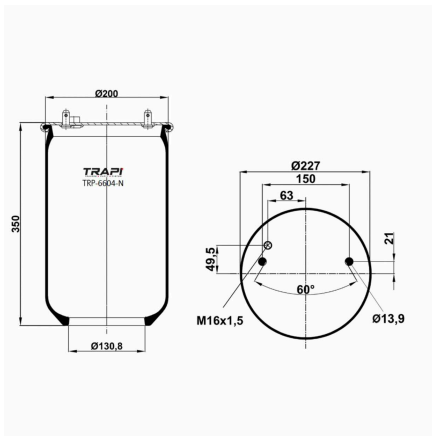
## TRP-6602-N AIR SPRING WITHOUT PISTON

| OEM REFERENCES |  | CROSS REFERENCES |                |
|----------------|--|------------------|----------------|
|                |  | Contitech        | 6602 N P01**SA |
|                |  |                  |                |
|                |  |                  |                |
|                |  |                  |                |
|                |  |                  |                |
|                |  |                  |                |
|                |  |                  |                |
|                |  |                  |                |
|                |  |                  |                |
|                |  |                  |                |



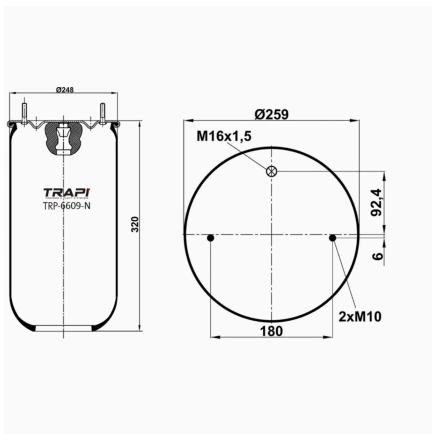
## TRP-6603-N AIR SPRING WITHOUT PISTON

| OEM REFERENCES |  | CROSS REFERENCES |              |
|----------------|--|------------------|--------------|
|                |  | Contitech        | 6603NP01**SA |
|                |  |                  |              |
|                |  |                  |              |
|                |  |                  |              |
|                |  |                  |              |
|                |  |                  |              |
|                |  |                  |              |
|                |  |                  |              |
|                |  |                  |              |
|                |  |                  |              |



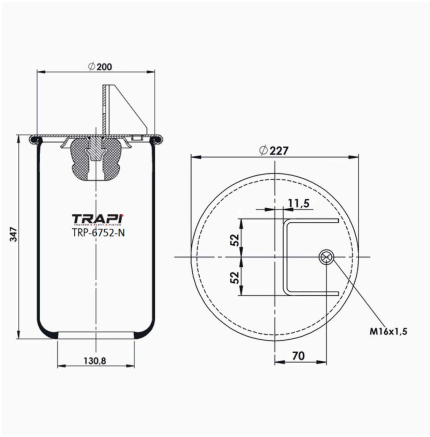
## TRP-6604-N AIR SPRING WITHOUT PISTON

| OEM REFERENCES |  | CROSS REFERENCES |                  |
|----------------|--|------------------|------------------|
|                |  | Contitech        | 6604 N P01**SA   |
|                |  | Airtech          | 36108 P / 122262 |
|                |  |                  |                  |
|                |  |                  |                  |
|                |  |                  |                  |
|                |  |                  |                  |
|                |  |                  |                  |
|                |  |                  |                  |
|                |  |                  |                  |
|                |  |                  |                  |



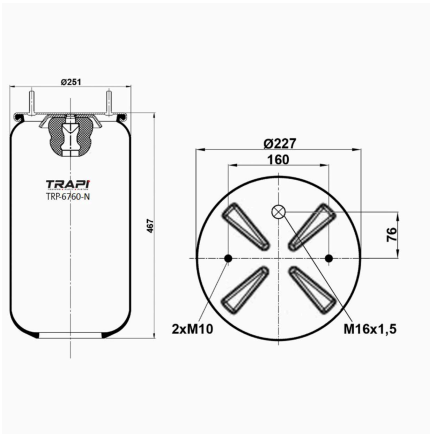
## TRP-6609-N AIR SPRING WITHOUT PISTON

| OEM REFERENCES |  | CROSS REFERENCES |                |
|----------------|--|------------------|----------------|
|                |  | Contitech        | 6609 N P01**SA |
|                |  |                  |                |
|                |  |                  |                |
|                |  |                  |                |
|                |  |                  |                |
|                |  |                  |                |
|                |  |                  |                |
|                |  |                  |                |
|                |  |                  |                |
|                |  |                  |                |



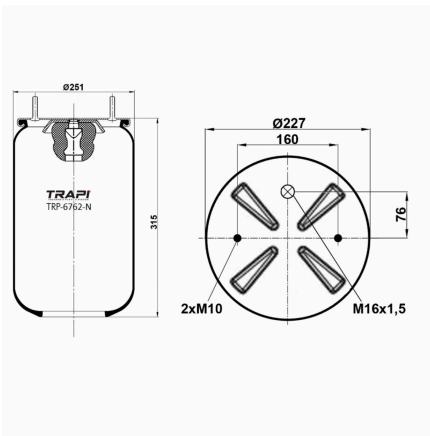
## TRP-6752-N AIR SPRING WITHOUT PISTON

| OEM REFERENCES |  | CROSS REFERENCES |             |
|----------------|--|------------------|-------------|
|                |  | Airtech          | 36752 K**SA |
|                |  |                  |             |
|                |  |                  |             |
|                |  |                  |             |
|                |  |                  |             |
|                |  |                  |             |
|                |  |                  |             |
|                |  |                  |             |
|                |  |                  |             |
|                |  |                  |             |



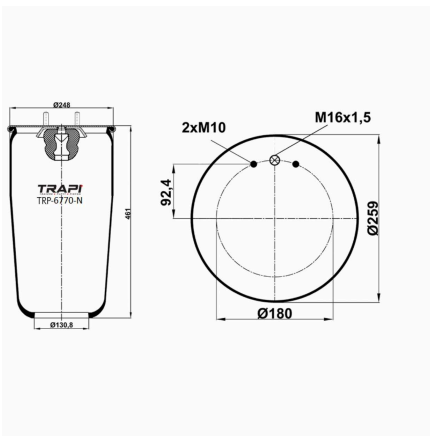
## TRP-6760-N AIR SPRING WITHOUT PISTON

| OEM REFERENCES |  | CROSS REFERENCES |             |
|----------------|--|------------------|-------------|
|                |  | Airtech          | 36760 K**SA |
|                |  |                  |             |
|                |  |                  |             |
|                |  |                  |             |
|                |  |                  |             |
|                |  |                  |             |
|                |  |                  |             |
|                |  |                  |             |
|                |  |                  |             |
|                |  |                  |             |
|                |  |                  |             |



## TRP-6762-N AIR SPRING WITHOUT PISTON

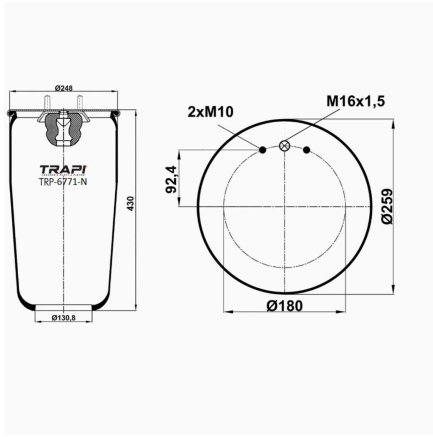
| OEM REFERENCES |  | CROSS REFERENCES |                  |
|----------------|--|------------------|------------------|
|                |  | Airtech          | 36762 P / 120192 |
|                |  |                  |                  |
|                |  |                  |                  |
|                |  |                  |                  |
|                |  |                  |                  |
|                |  |                  |                  |
|                |  |                  |                  |
|                |  |                  |                  |
|                |  |                  |                  |
|                |  |                  |                  |
|                |  |                  |                  |



## TRP-6770-N AIR SPRING WITHOUT PISTON

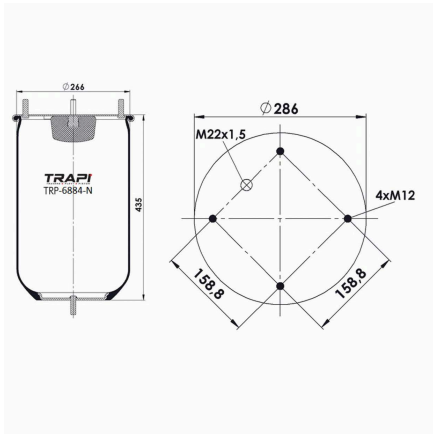
| OEM REFERENCES |  | CROSS REFERENCES |            |
|----------------|--|------------------|------------|
|                |  | Airtech          | 36770K**SA |
|                |  |                  |            |
|                |  |                  |            |
|                |  |                  |            |
|                |  |                  |            |
|                |  |                  |            |
|                |  |                  |            |
|                |  |                  |            |
|                |  |                  |            |
|                |  |                  |            |
|                |  |                  |            |





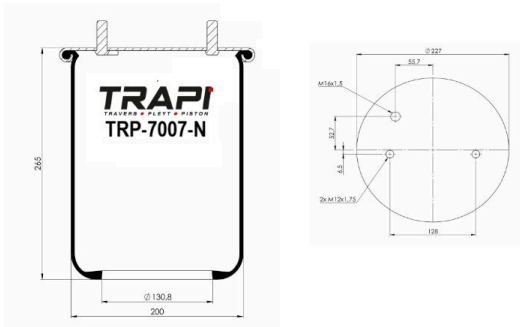
## TRP-6771-N AIR SPRING WITHOUT PISTON

| OEM REFERENCES |  | CROSS REFERENCES |             |
|----------------|--|------------------|-------------|
|                |  | Airtech          | 36771 K**SA |
|                |  |                  |             |
|                |  |                  |             |
|                |  |                  |             |
|                |  |                  |             |
|                |  |                  |             |
|                |  |                  |             |
|                |  |                  |             |
|                |  |                  |             |
|                |  |                  |             |



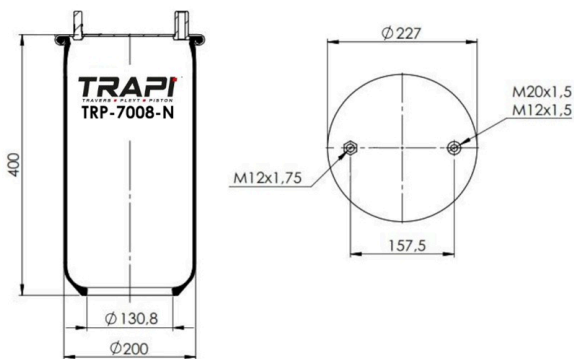
## TRP-6884-N AIR SPRING WITHOUT PISTON

| OEM REFERENCES |  | CROSS REFERENCES |                  |
|----------------|--|------------------|------------------|
|                |  | Firestone        | W01 M58 8772**SA |
|                |  | Airtech          | 36884 K**SA      |
|                |  |                  |                  |
|                |  |                  |                  |
|                |  |                  |                  |
|                |  |                  |                  |
|                |  |                  |                  |
|                |  |                  |                  |
|                |  |                  |                  |
|                |  |                  |                  |
|                |  |                  |                  |



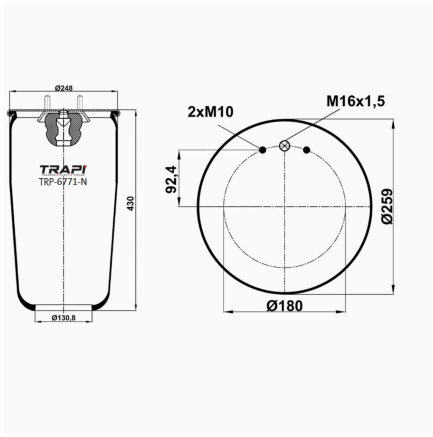
## TRP-7007-N AIR SPRING WITHOUT PISTON

| OEM REFERENCES |  | CROSS REFERENCES |  |
|----------------|--|------------------|--|
|                |  |                  |  |
|                |  |                  |  |
|                |  |                  |  |
|                |  |                  |  |
|                |  |                  |  |
|                |  |                  |  |
|                |  |                  |  |
|                |  |                  |  |
|                |  |                  |  |
|                |  |                  |  |
|                |  |                  |  |



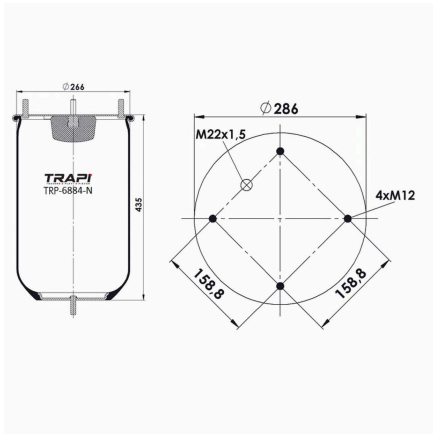
## TRP-7008-N AIR SPRING WITHOUT PISTON

| OEM REFERENCES |           | CROSS REFERENCES |  |
|----------------|-----------|------------------|--|
|                | 3050049AA |                  |  |
|                |           |                  |  |
|                |           |                  |  |
|                |           |                  |  |
|                |           |                  |  |
|                |           |                  |  |
|                |           |                  |  |
|                |           |                  |  |
|                |           |                  |  |
|                |           |                  |  |
|                |           |                  |  |



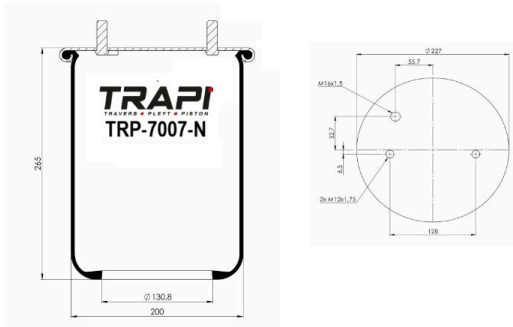
## TRP-6771-N AIR SPRING WITHOUT PISTON

| OEM REFERENCES |  | CROSS REFERENCES |             |
|----------------|--|------------------|-------------|
|                |  | Airtech          | 36771 K**SA |
|                |  |                  |             |
|                |  |                  |             |
|                |  |                  |             |
|                |  |                  |             |
|                |  |                  |             |
|                |  |                  |             |
|                |  |                  |             |
|                |  |                  |             |
|                |  |                  |             |



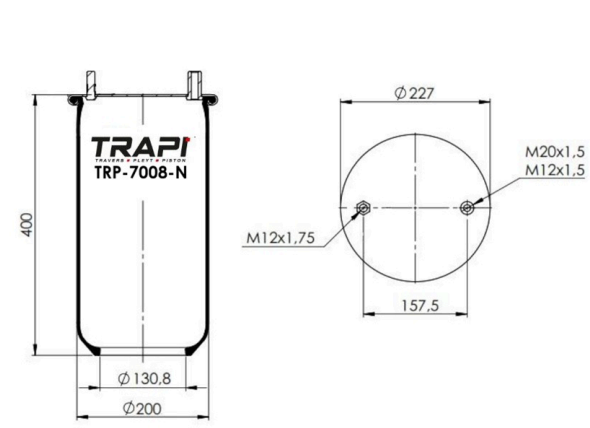
## TRP-6884-N AIR SPRING WITHOUT PISTON

| OEM REFERENCES |  | CROSS REFERENCES |                  |
|----------------|--|------------------|------------------|
|                |  | Firestone        | W01 M58 8772**SA |
|                |  | Airtech          | 36884 K**SA      |
|                |  |                  |                  |
|                |  |                  |                  |
|                |  |                  |                  |
|                |  |                  |                  |
|                |  |                  |                  |
|                |  |                  |                  |
|                |  |                  |                  |
|                |  |                  |                  |
|                |  |                  |                  |



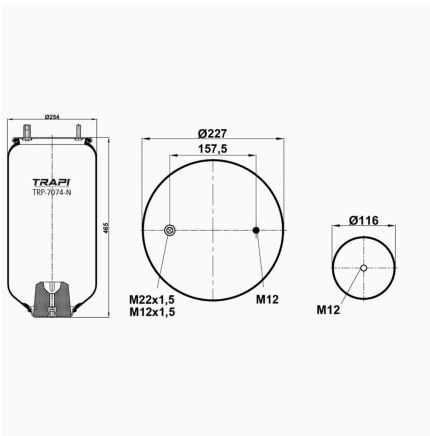
## TRP-7007-N AIR SPRING WITHOUT PISTON

| OEM REFERENCES |  | CROSS REFERENCES |  |
|----------------|--|------------------|--|
|                |  |                  |  |
|                |  |                  |  |
|                |  |                  |  |
|                |  |                  |  |
|                |  |                  |  |
|                |  |                  |  |
|                |  |                  |  |
|                |  |                  |  |
|                |  |                  |  |
|                |  |                  |  |
|                |  |                  |  |



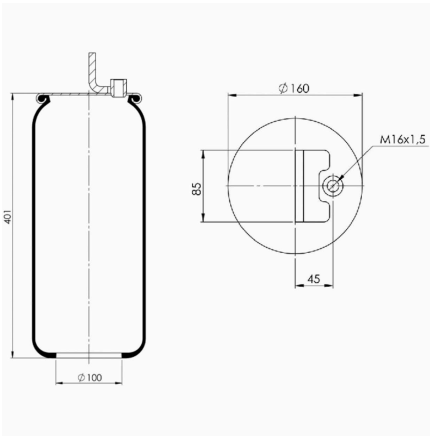
## TRP-7008-N AIR SPRING WITHOUT PISTON

| OEM REFERENCES |           | CROSS REFERENCES |  |
|----------------|-----------|------------------|--|
|                | 3050049AA |                  |  |
|                |           |                  |  |
|                |           |                  |  |
|                |           |                  |  |
|                |           |                  |  |
|                |           |                  |  |
|                |           |                  |  |
|                |           |                  |  |
|                |           |                  |  |
|                |           |                  |  |
|                |           |                  |  |



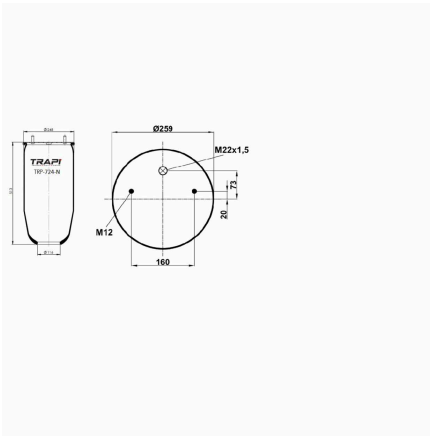
## TRP-7074-N AIR SPRING WITHOUT PISTON

| OEM REFERENCES |  | CROSS REFERENCES |                |
|----------------|--|------------------|----------------|
|                |  | Firestone        | W01M587074**SA |
|                |  |                  |                |
|                |  |                  |                |
|                |  |                  |                |
|                |  |                  |                |
|                |  |                  |                |
|                |  |                  |                |
|                |  |                  |                |
|                |  |                  |                |
|                |  |                  |                |



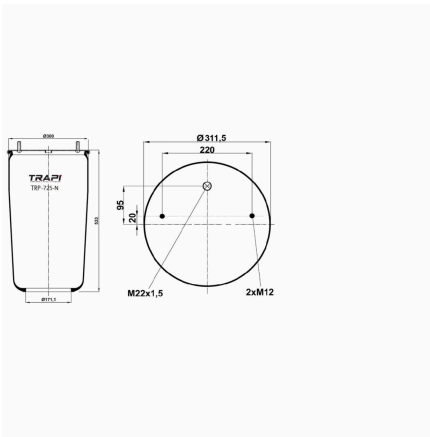
## TRP-7194-N AIR SPRING WITHOUT PISTON

| OEM REFERENCES |          | CROSS REFERENCES |                        |
|----------------|----------|------------------|------------------------|
| IVECO          | 41272478 | Cf Gomma         | ITS 230-25C/207194**SA |
|                |          |                  |                        |
|                |          |                  |                        |
|                |          |                  |                        |
|                |          |                  |                        |
|                |          |                  |                        |
|                |          |                  |                        |
|                |          |                  |                        |
|                |          |                  |                        |
|                |          |                  |                        |



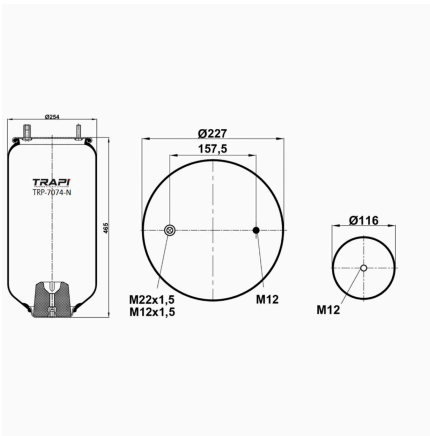
## TRP-724-N AIR SPRING WITHOUT PISTON

| OEM REFERENCES |        | CROSS REFERENCES |          |
|----------------|--------|------------------|----------|
| GIGANT         | 246169 | Goodyear         | 1R11-711 |
|                |        | Contitech        | 724NP01  |
|                |        |                  |          |
|                |        |                  |          |
|                |        |                  |          |
|                |        |                  |          |
|                |        |                  |          |
|                |        |                  |          |
|                |        |                  |          |
|                |        |                  |          |



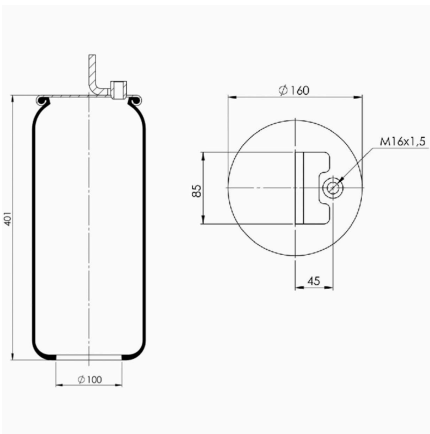
## TRP-725-N AIR SPRING WITHOUT PISTON

| OEM REFERENCES |        | CROSS REFERENCES |                 |
|----------------|--------|------------------|-----------------|
| GIGANT         | 246149 | Goodyear         | 1R14-704        |
|                |        | Contitech        | 725NP01         |
|                |        | Cf Gomma         | 1TCS360-45      |
|                |        | Airtech          | 3725 P / 120001 |
|                |        | Taurus           | UR836-11        |
|                |        |                  |                 |
|                |        |                  |                 |
|                |        |                  |                 |
|                |        |                  |                 |
|                |        |                  |                 |
|                |        |                  |                 |



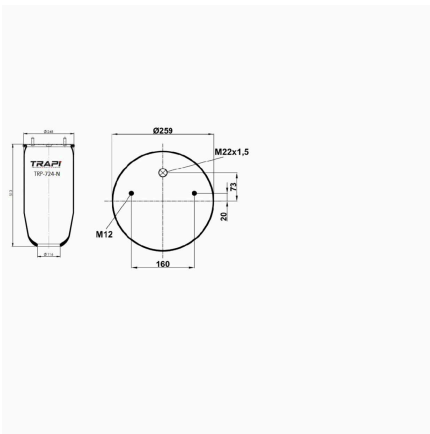
## TRP-7074-N AIR SPRING WITHOUT PISTON

| OEM REFERENCES |  | CROSS REFERENCES |                |
|----------------|--|------------------|----------------|
|                |  | Firestone        | W01M587074**SA |
|                |  |                  |                |
|                |  |                  |                |
|                |  |                  |                |
|                |  |                  |                |
|                |  |                  |                |
|                |  |                  |                |
|                |  |                  |                |
|                |  |                  |                |
|                |  |                  |                |



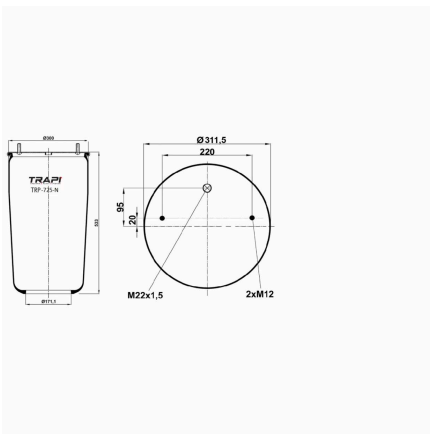
## TRP-7194-N AIR SPRING WITHOUT PISTON

| OEM REFERENCES |          | CROSS REFERENCES |                        |
|----------------|----------|------------------|------------------------|
| IVECO          | 41272478 | Cf Gomma         | ITS 230-25C/207194**SA |
|                |          |                  |                        |
|                |          |                  |                        |
|                |          |                  |                        |
|                |          |                  |                        |
|                |          |                  |                        |
|                |          |                  |                        |
|                |          |                  |                        |
|                |          |                  |                        |
|                |          |                  |                        |
|                |          |                  |                        |



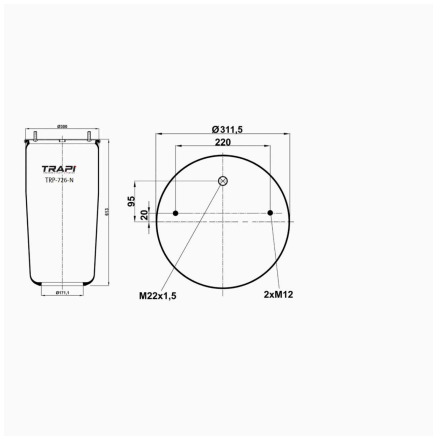
## TRP-724-N AIR SPRING WITHOUT PISTON

| OEM REFERENCES |        | CROSS REFERENCES |          |
|----------------|--------|------------------|----------|
| GIGANT         | 246169 | Goodyear         | 1R11-711 |
|                |        | Contitech        | 724NP01  |
|                |        |                  |          |
|                |        |                  |          |
|                |        |                  |          |
|                |        |                  |          |
|                |        |                  |          |
|                |        |                  |          |
|                |        |                  |          |
|                |        |                  |          |
|                |        |                  |          |



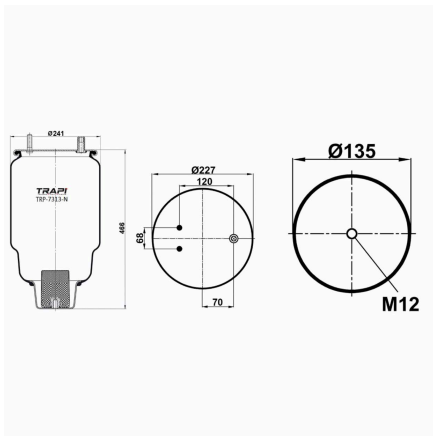
## TRP-725-N AIR SPRING WITHOUT PISTON

| OEM REFERENCES |        | CROSS REFERENCES |                 |
|----------------|--------|------------------|-----------------|
| GIGANT         | 246149 | Goodyear         | 1R14-704        |
|                |        | Contitech        | 725NP01         |
|                |        | Cf Gomma         | 1TCS360-45      |
|                |        | Airtech          | 3725 P / 120001 |
|                |        | Taurus           | UR836-11        |
|                |        |                  |                 |
|                |        |                  |                 |
|                |        |                  |                 |
|                |        |                  |                 |
|                |        |                  |                 |
|                |        |                  |                 |
|                |        |                  |                 |



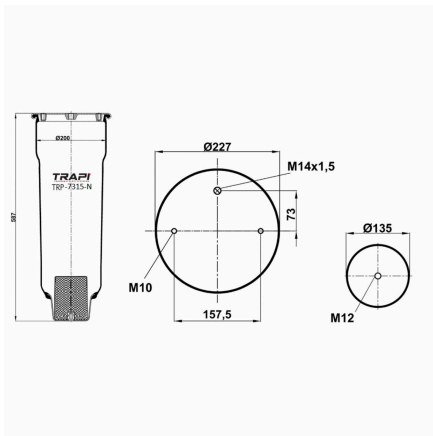
## TRP-726-N AIR SPRING WITHOUT PISTON

| OEM REFERENCES |        | CROSS REFERENCES |           |
|----------------|--------|------------------|-----------|
| GIGANT         | 246192 | Contitech        | 726 N P01 |
|                |        |                  |           |
|                |        |                  |           |
|                |        |                  |           |
|                |        |                  |           |
|                |        |                  |           |
|                |        |                  |           |
|                |        |                  |           |
|                |        |                  |           |
|                |        |                  |           |



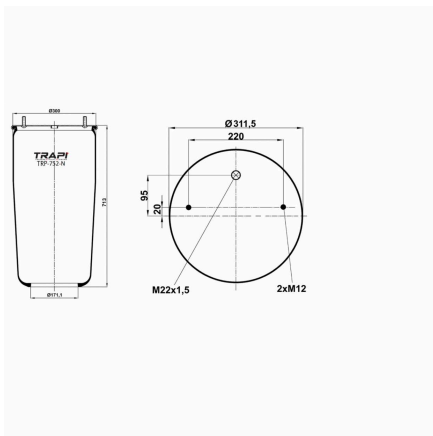
## TRP-7313-N AIR SPRING WITHOUT PISTON

| OEM REFERENCES |  | CROSS REFERENCES |                  |
|----------------|--|------------------|------------------|
|                |  | Firestone        | W01 M58 7313**SA |
|                |  | Firestone        | 1T15AA-6         |
|                |  |                  |                  |
|                |  |                  |                  |
|                |  |                  |                  |
|                |  |                  |                  |
|                |  |                  |                  |
|                |  |                  |                  |
|                |  |                  |                  |
|                |  |                  |                  |



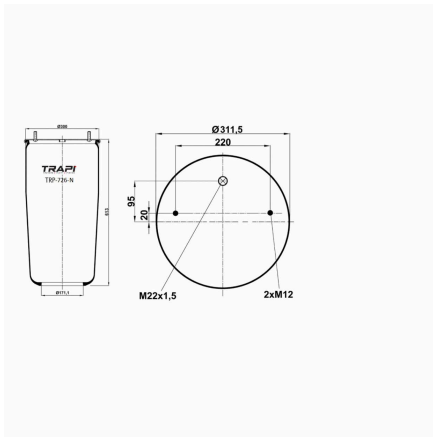
## TRP-7315-N AIR SPRING WITHOUT PISTON

| OEM REFERENCES |  | CROSS REFERENCES |                  |
|----------------|--|------------------|------------------|
|                |  | Firestone        | W01M587315**SA   |
|                |  | Airtech          | 37315 P / 122582 |
|                |  | Firestone        | 1T15S-11         |
|                |  |                  |                  |
|                |  |                  |                  |
|                |  |                  |                  |
|                |  |                  |                  |
|                |  |                  |                  |
|                |  |                  |                  |
|                |  |                  |                  |



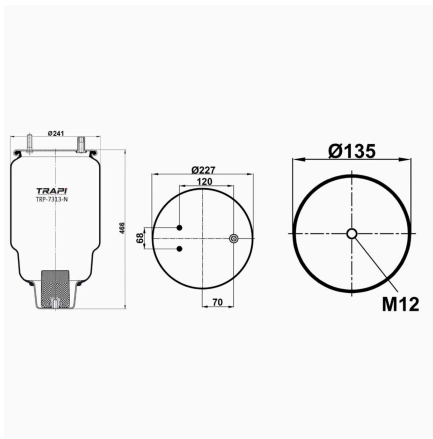
## TRP-752-N AIR SPRING WITHOUT PISTON

| OEM REFERENCES |        | CROSS REFERENCES |         |
|----------------|--------|------------------|---------|
| GIGANT         | 247100 | Contitech        | 752NP01 |
|                |        |                  |         |
|                |        |                  |         |
|                |        |                  |         |
|                |        |                  |         |
|                |        |                  |         |
|                |        |                  |         |
|                |        |                  |         |
|                |        |                  |         |
|                |        |                  |         |



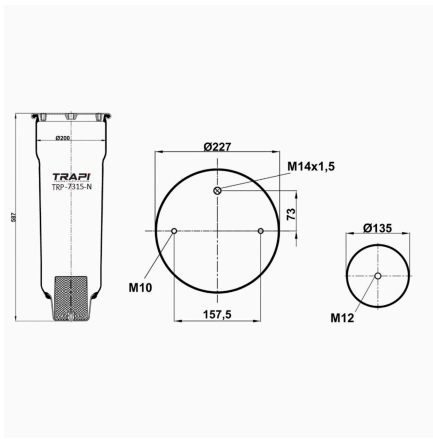
## TRP-726-N AIR SPRING WITHOUT PISTON

| OEM REFERENCES |        | CROSS REFERENCES |           |
|----------------|--------|------------------|-----------|
| GIGANT         | 246192 | Contitech        | 726 N P01 |
|                |        |                  |           |
|                |        |                  |           |
|                |        |                  |           |
|                |        |                  |           |
|                |        |                  |           |
|                |        |                  |           |
|                |        |                  |           |
|                |        |                  |           |
|                |        |                  |           |



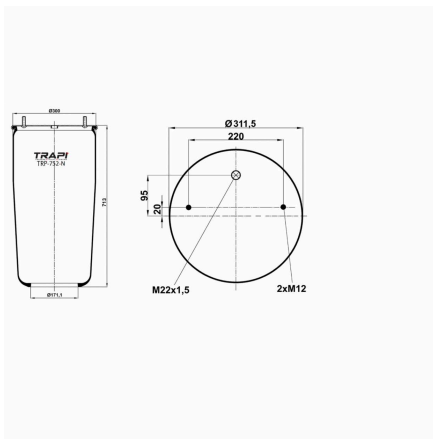
## TRP-7313-N AIR SPRING WITHOUT PISTON

| OEM REFERENCES |  | CROSS REFERENCES |                  |
|----------------|--|------------------|------------------|
|                |  | Firestone        | W01 M58 7313**SA |
|                |  | Firestone        | 1T15AA-6         |
|                |  |                  |                  |
|                |  |                  |                  |
|                |  |                  |                  |
|                |  |                  |                  |
|                |  |                  |                  |
|                |  |                  |                  |
|                |  |                  |                  |
|                |  |                  |                  |



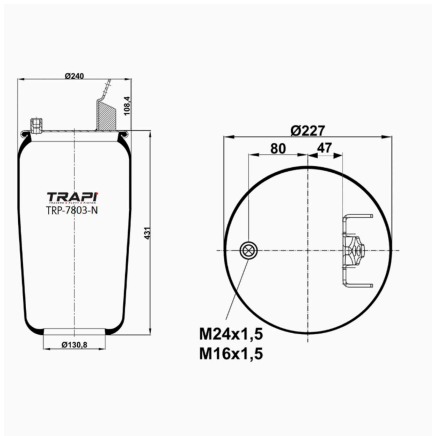
## TRP-7315-N AIR SPRING WITHOUT PISTON

| OEM REFERENCES |  | CROSS REFERENCES |                  |
|----------------|--|------------------|------------------|
|                |  | Firestone        | W01M587315**SA   |
|                |  | Airtech          | 37315 P / 122582 |
|                |  | Firestone        | 1T15S-11         |
|                |  |                  |                  |
|                |  |                  |                  |
|                |  |                  |                  |
|                |  |                  |                  |
|                |  |                  |                  |
|                |  |                  |                  |
|                |  |                  |                  |



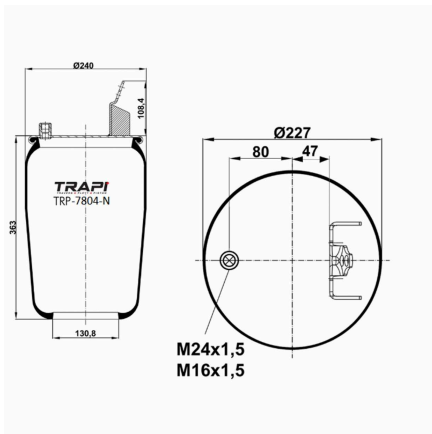
## TRP-752-N AIR SPRING WITHOUT PISTON

| OEM REFERENCES |        | CROSS REFERENCES |         |
|----------------|--------|------------------|---------|
| GIGANT         | 247100 | Contitech        | 752NP01 |
|                |        |                  |         |
|                |        |                  |         |
|                |        |                  |         |
|                |        |                  |         |
|                |        |                  |         |
|                |        |                  |         |
|                |        |                  |         |
|                |        |                  |         |
|                |        |                  |         |



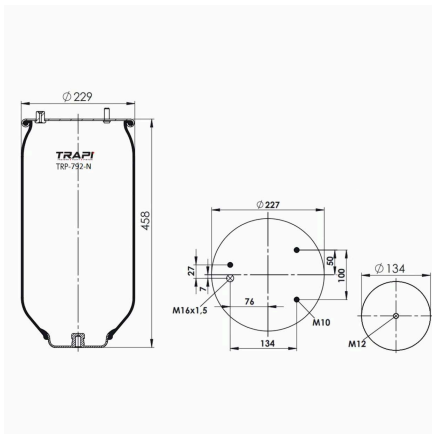
## TRP-7803-N AIR SPRING WITHOUT PISTON

| OEM REFERENCES |  | CROSS REFERENCES |                  |
|----------------|--|------------------|------------------|
|                |  | Contitech        | 6605 N P01**SA   |
|                |  | Airtech          | 37803 P / 121522 |
|                |  |                  |                  |
|                |  |                  |                  |
|                |  |                  |                  |
|                |  |                  |                  |
|                |  |                  |                  |



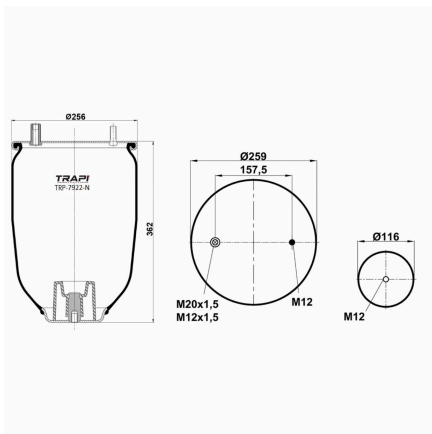
## TRP-7804-N AIR SPRING WITHOUT PISTON

| OEM REFERENCES |  | CROSS REFERENCES |                  |
|----------------|--|------------------|------------------|
|                |  | Contitech        | 6606 N P01**SA   |
|                |  | Airtech          | 37804 P / 120942 |
|                |  |                  |                  |
|                |  |                  |                  |
|                |  |                  |                  |
|                |  |                  |                  |
|                |  |                  |                  |



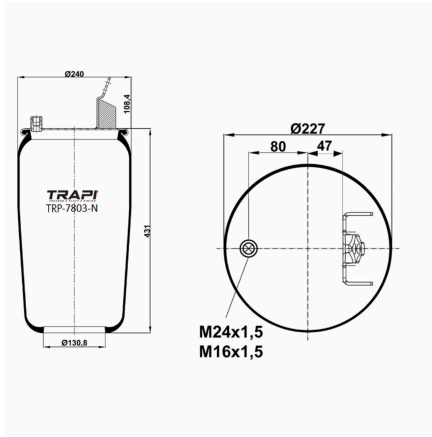
## TRP-792-N AIR SPRING WITHOUT PISTON

| OEM REFERENCES |  | CROSS REFERENCES |               |
|----------------|--|------------------|---------------|
|                |  | Contitech        | 792 N P01**SA |
|                |  |                  |               |
|                |  |                  |               |
|                |  |                  |               |
|                |  |                  |               |
|                |  |                  |               |
|                |  |                  |               |



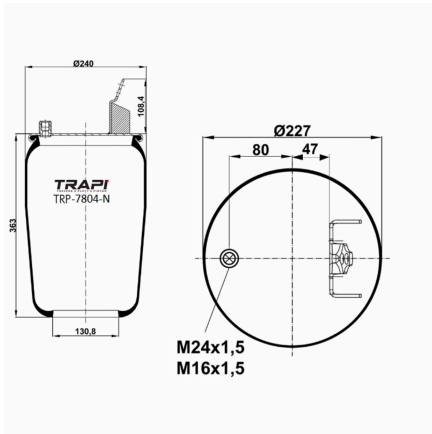
## TRP-7922-N AIR SPRING WITHOUT PISTON

| OEM REFERENCES |  | CROSS REFERENCES |               |
|----------------|--|------------------|---------------|
|                |  | Vibracoustic     | V1DK27b-1**SA |
|                |  |                  |               |
|                |  |                  |               |
|                |  |                  |               |
|                |  |                  |               |
|                |  |                  |               |
|                |  |                  |               |



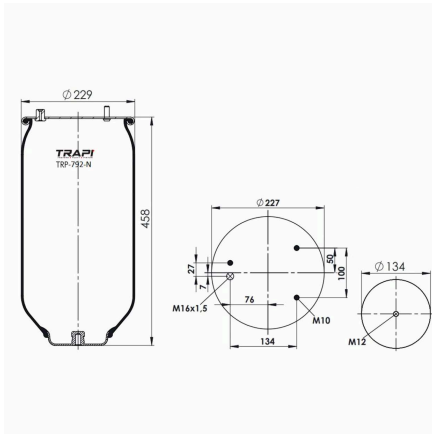
## TRP-7803-N AIR SPRING WITHOUT PISTON

| OEM REFERENCES |  | CROSS REFERENCES |                  |
|----------------|--|------------------|------------------|
|                |  | Contitech        | 6605 N P01**SA   |
|                |  | Airtech          | 37803 P / 121522 |
|                |  |                  |                  |
|                |  |                  |                  |
|                |  |                  |                  |
|                |  |                  |                  |
|                |  |                  |                  |



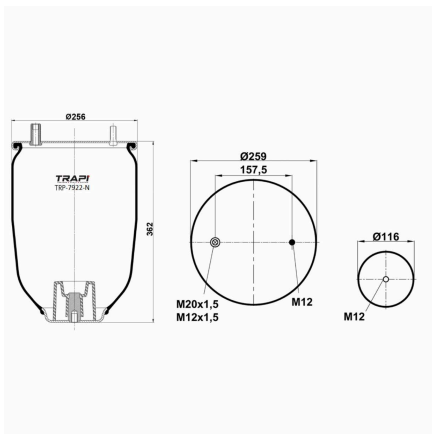
## TRP-7804-N AIR SPRING WITHOUT PISTON

| OEM REFERENCES |  | CROSS REFERENCES |                  |
|----------------|--|------------------|------------------|
|                |  | Contitech        | 6606 N P01**SA   |
|                |  | Airtech          | 37804 P / 120942 |
|                |  |                  |                  |
|                |  |                  |                  |
|                |  |                  |                  |
|                |  |                  |                  |
|                |  |                  |                  |



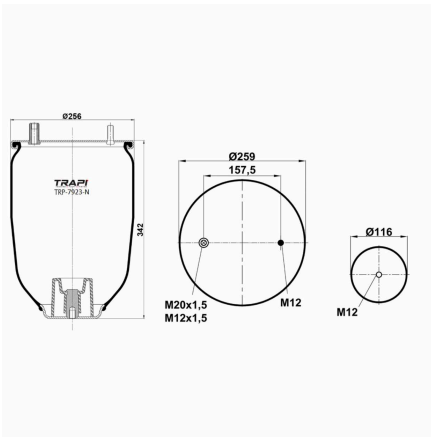
## TRP-792-N AIR SPRING WITHOUT PISTON

| OEM REFERENCES |  | CROSS REFERENCES |               |
|----------------|--|------------------|---------------|
|                |  | Contitech        | 792 N P01**SA |
|                |  |                  |               |
|                |  |                  |               |
|                |  |                  |               |
|                |  |                  |               |
|                |  |                  |               |
|                |  |                  |               |



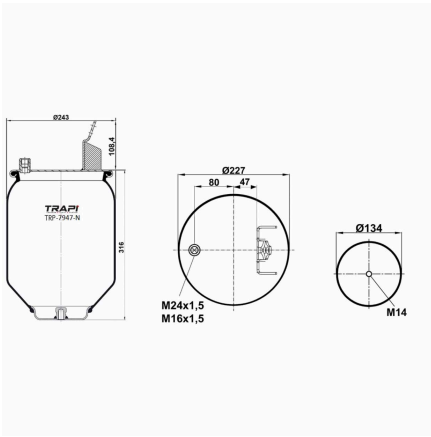
## TRP-7922-N AIR SPRING WITHOUT PISTON

| OEM REFERENCES |  | CROSS REFERENCES |               |
|----------------|--|------------------|---------------|
|                |  | Vibracoustic     | V1DK27b-1**SA |
|                |  |                  |               |
|                |  |                  |               |
|                |  |                  |               |
|                |  |                  |               |
|                |  |                  |               |
|                |  |                  |               |



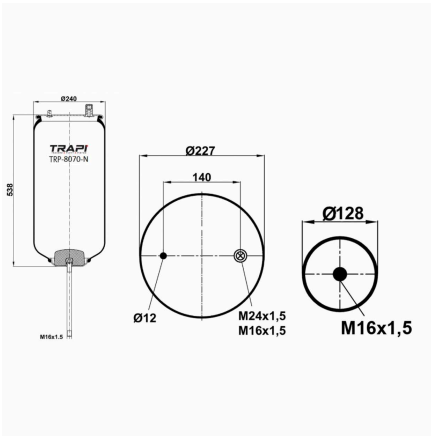
## TRP-7923-N AIR SPRING WITHOUT PISTON

| OEM REFERENCES |  | CROSS REFERENCES |               |
|----------------|--|------------------|---------------|
|                |  | Vibracoustic     | V1DK27b-2**SA |
|                |  |                  |               |
|                |  |                  |               |
|                |  |                  |               |
|                |  |                  |               |
|                |  |                  |               |
|                |  |                  |               |
|                |  |                  |               |
|                |  |                  |               |
|                |  |                  |               |



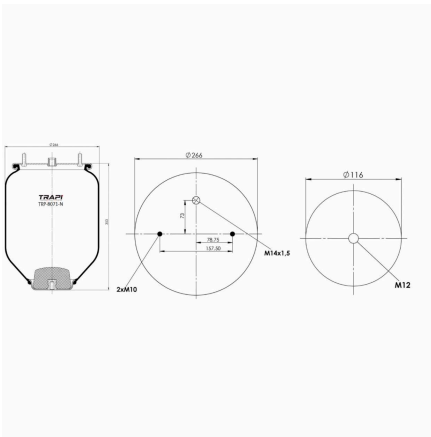
## TRP-7947-N AIR SPRING WITHOUT PISTON

| OEM REFERENCES |          | CROSS REFERENCES |              |
|----------------|----------|------------------|--------------|
| VOLVO          | 20737943 | Airtech          | 37947 K **SA |
| VOLVO          | 20737947 |                  |              |
|                |          |                  |              |
|                |          |                  |              |
|                |          |                  |              |
|                |          |                  |              |
|                |          |                  |              |
|                |          |                  |              |
|                |          |                  |              |
|                |          |                  |              |
|                |          |                  |              |



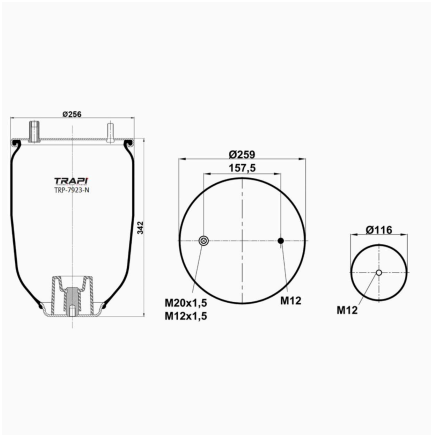
## TRP-8070-N AIR SPRING WITHOUT PISTON

| OEM REFERENCES |  | CROSS REFERENCES |              |
|----------------|--|------------------|--------------|
|                |  | Vibracoustic     | V1DK19-1**SA |
|                |  |                  |              |
|                |  |                  |              |
|                |  |                  |              |
|                |  |                  |              |
|                |  |                  |              |
|                |  |                  |              |
|                |  |                  |              |
|                |  |                  |              |
|                |  |                  |              |
|                |  |                  |              |



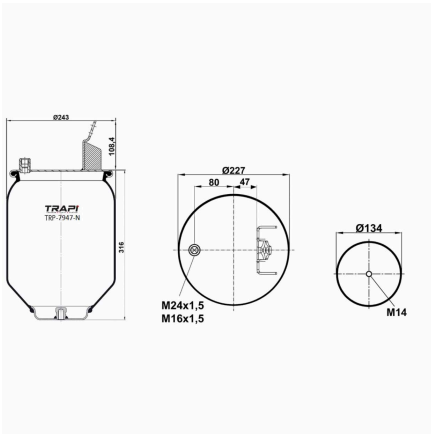
## TRP-8071-N AIR SPRING WITHOUT PISTON

| OEM REFERENCES |  | CROSS REFERENCES |               |
|----------------|--|------------------|---------------|
|                |  | Vibracoustic     | V1DK23F-1**SA |
|                |  |                  |               |
|                |  |                  |               |
|                |  |                  |               |
|                |  |                  |               |
|                |  |                  |               |
|                |  |                  |               |
|                |  |                  |               |
|                |  |                  |               |
|                |  |                  |               |
|                |  |                  |               |



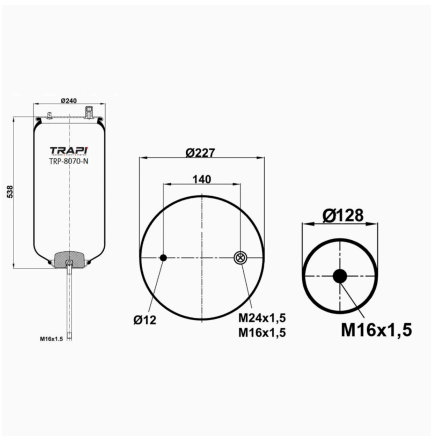
## TRP-7923-N AIR SPRING WITHOUT PISTON

| OEM REFERENCES |  | CROSS REFERENCES |               |
|----------------|--|------------------|---------------|
|                |  | Vibracoustic     | V1DK27b-2**SA |
|                |  |                  |               |
|                |  |                  |               |
|                |  |                  |               |
|                |  |                  |               |
|                |  |                  |               |
|                |  |                  |               |
|                |  |                  |               |



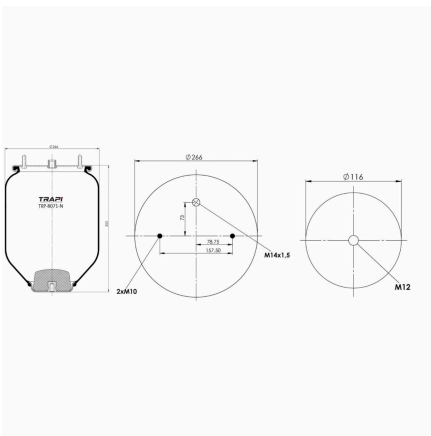
## TRP-7947-N AIR SPRING WITHOUT PISTON

| OEM REFERENCES |          | CROSS REFERENCES |              |
|----------------|----------|------------------|--------------|
| VOLVO          | 20737943 | Airtech          | 37947 K **SA |
| VOLVO          | 20737947 |                  |              |
|                |          |                  |              |
|                |          |                  |              |
|                |          |                  |              |
|                |          |                  |              |
|                |          |                  |              |
|                |          |                  |              |



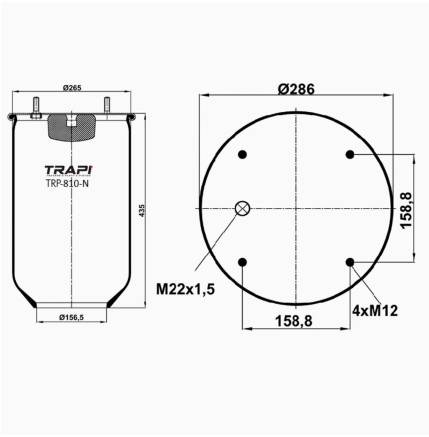
## TRP-8070-N AIR SPRING WITHOUT PISTON

| OEM REFERENCES |  | CROSS REFERENCES |              |
|----------------|--|------------------|--------------|
|                |  | Vibracoustic     | V1DK19-1**SA |
|                |  |                  |              |
|                |  |                  |              |
|                |  |                  |              |
|                |  |                  |              |
|                |  |                  |              |
|                |  |                  |              |
|                |  |                  |              |



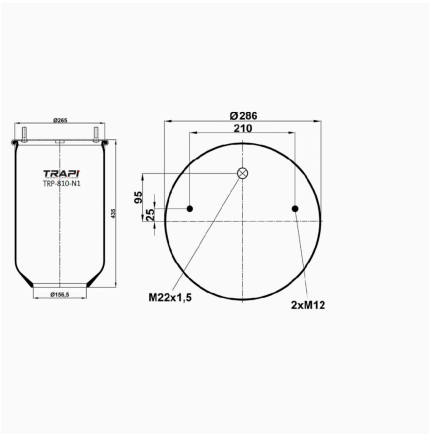
## TRP-8071-N AIR SPRING WITHOUT PISTON

| OEM REFERENCES |  | CROSS REFERENCES |               |
|----------------|--|------------------|---------------|
|                |  | Vibracoustic     | V1DK23F-1**SA |
|                |  |                  |               |
|                |  |                  |               |
|                |  |                  |               |
|                |  |                  |               |
|                |  |                  |               |
|                |  |                  |               |
|                |  |                  |               |



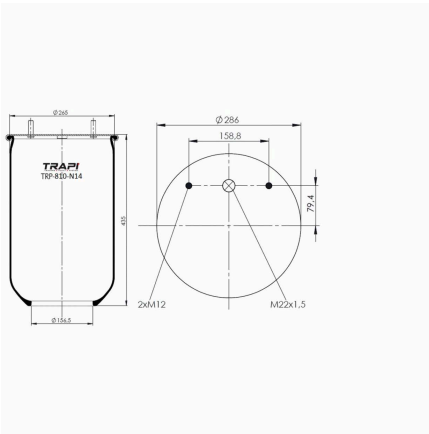
## TRP-810-N AIR SPRING WITHOUT PISTON

| OEM REFERENCES |  | CROSS REFERENCES |               |
|----------------|--|------------------|---------------|
|                |  | Vibracoustic     | VID28A-5 NP   |
|                |  | Phoenix          | 1 D 28 A-5 NP |
|                |  | Firestone        | 1T19L-7       |
|                |  | Firestone        | W01M587237    |
|                |  | Contitech        | 810MB/O       |
|                |  |                  |               |
|                |  |                  |               |
|                |  |                  |               |
|                |  |                  |               |



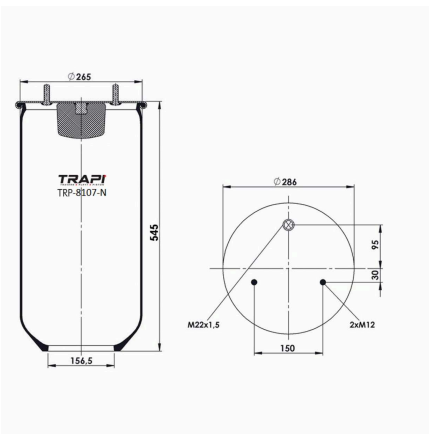
## TRP-810-N1 AIR SPRING WITHOUT PISTON

| OEM REFERENCES |  | CROSS REFERENCES |          |
|----------------|--|------------------|----------|
|                |  | Airtech          | 3810-01P |
|                |  |                  |          |
|                |  |                  |          |
|                |  |                  |          |
|                |  |                  |          |
|                |  |                  |          |
|                |  |                  |          |
|                |  |                  |          |
|                |  |                  |          |



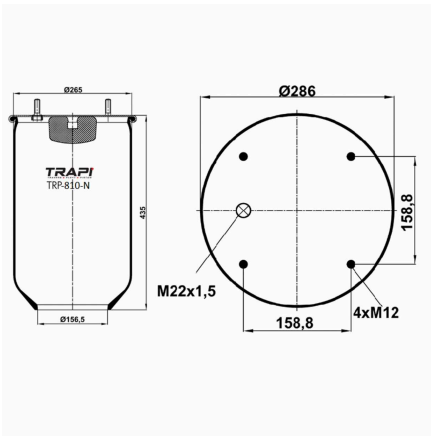
## TRP-810-N14 AIR SPRING WITHOUT PISTON

| OEM REFERENCES |  | CROSS REFERENCES |           |
|----------------|--|------------------|-----------|
|                |  | Airtech          | 3810-14 P |
|                |  |                  |           |
|                |  |                  |           |
|                |  |                  |           |
|                |  |                  |           |
|                |  |                  |           |
|                |  |                  |           |
|                |  |                  |           |
|                |  |                  |           |



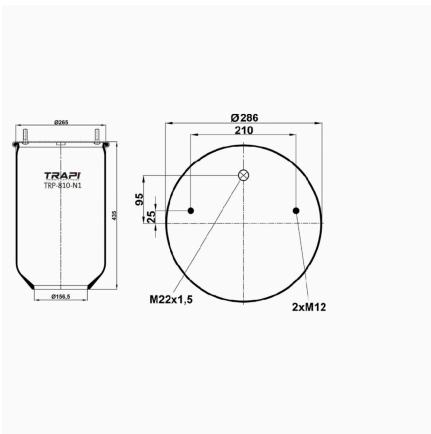
## TRP-8107-N AIR SPRING WITHOUT PISTON

| OEM REFERENCES |  | CROSS REFERENCES |                |
|----------------|--|------------------|----------------|
|                |  | Firestone        | W01M588107**SA |
|                |  |                  |                |
|                |  |                  |                |
|                |  |                  |                |
|                |  |                  |                |
|                |  |                  |                |
|                |  |                  |                |
|                |  |                  |                |
|                |  |                  |                |



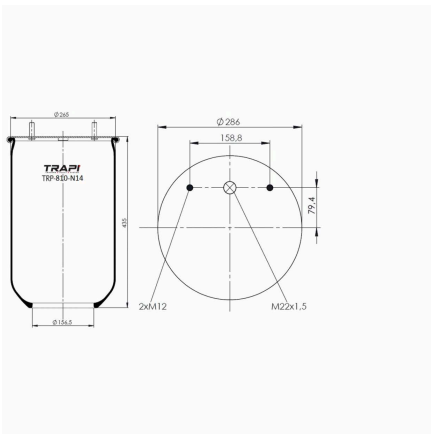
## TRP-810-N AIR SPRING WITHOUT PISTON

| OEM REFERENCES |  | CROSS REFERENCES |               |
|----------------|--|------------------|---------------|
|                |  | Vibracoustic     | VID28A-5 NP   |
|                |  | Phoenix          | 1 D 28 A-5 NP |
|                |  | Firestone        | 1T19L-7       |
|                |  | Firestone        | W01M587237    |
|                |  | Contitech        | 810MB/O       |
|                |  |                  |               |
|                |  |                  |               |
|                |  |                  |               |
|                |  |                  |               |



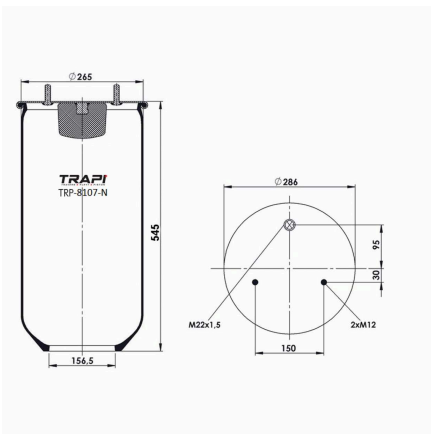
## TRP-810-N1 AIR SPRING WITHOUT PISTON

| OEM REFERENCES |  | CROSS REFERENCES |          |
|----------------|--|------------------|----------|
|                |  | Airtech          | 3810-01P |
|                |  |                  |          |
|                |  |                  |          |
|                |  |                  |          |
|                |  |                  |          |
|                |  |                  |          |
|                |  |                  |          |
|                |  |                  |          |



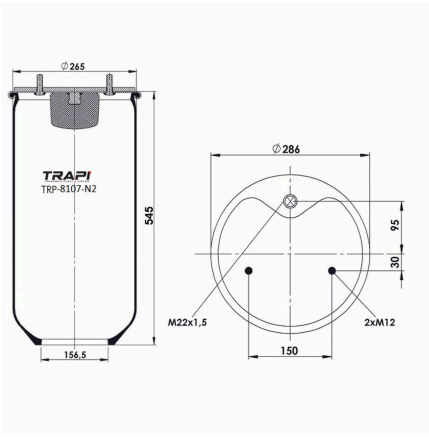
## TRP-810-N14 AIR SPRING WITHOUT PISTON

| OEM REFERENCES |  | CROSS REFERENCES |           |
|----------------|--|------------------|-----------|
|                |  | Airtech          | 3810-14 P |
|                |  |                  |           |
|                |  |                  |           |
|                |  |                  |           |
|                |  |                  |           |
|                |  |                  |           |
|                |  |                  |           |
|                |  |                  |           |



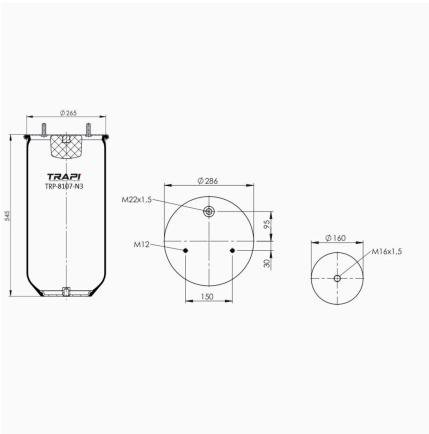
## TRP-8107-N AIR SPRING WITHOUT PISTON

| OEM REFERENCES |  | CROSS REFERENCES |                |
|----------------|--|------------------|----------------|
|                |  | Firestone        | W01M588107**SA |
|                |  |                  |                |
|                |  |                  |                |
|                |  |                  |                |
|                |  |                  |                |
|                |  |                  |                |
|                |  |                  |                |
|                |  |                  |                |



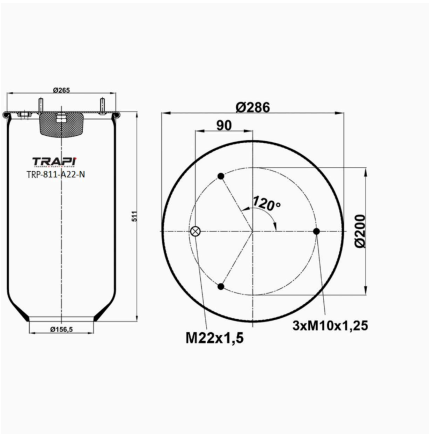
## TRP-8107-N2 AIR SPRING WITHOUT PISTON

| OEM REFERENCES |  | CROSS REFERENCES |             |
|----------------|--|------------------|-------------|
|                |  | Airtech          | 30285 K**SA |
|                |  |                  |             |
|                |  |                  |             |
|                |  |                  |             |
|                |  |                  |             |
|                |  |                  |             |
|                |  |                  |             |
|                |  |                  |             |
|                |  |                  |             |
|                |  |                  |             |



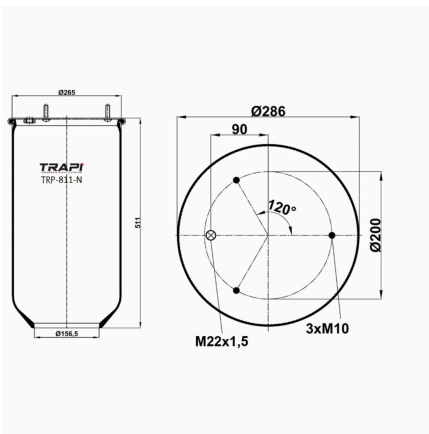
## TRP-8107-N3 AIR SPRING WITHOUT PISTON

| OEM REFERENCES |         | CROSS REFERENCES |          |
|----------------|---------|------------------|----------|
| SCHMITZ        | 017 686 | Goodyear         | 1R14-864 |
|                |         |                  |          |
|                |         |                  |          |
|                |         |                  |          |
|                |         |                  |          |
|                |         |                  |          |
|                |         |                  |          |
|                |         |                  |          |
|                |         |                  |          |
|                |         |                  |          |
|                |         |                  |          |



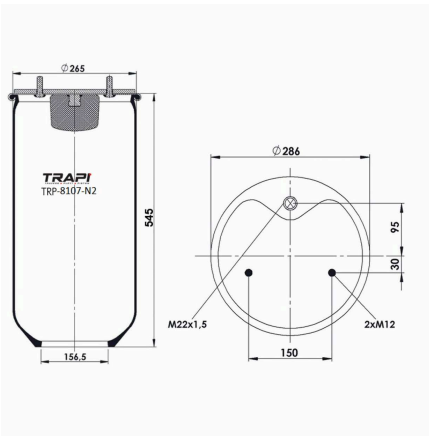
## TRP-811-A22-N AIR SPRING WITHOUT PISTON

| OEM REFERENCES |               | CROSS REFERENCES |                 |
|----------------|---------------|------------------|-----------------|
| DAF            | 4.731.029.000 | Firestone        | W01M586359      |
| DAF            | 0 526 823     | Contitech        | 811MB**SA       |
|                |               | Airtech          | 3811 P / 120042 |
|                |               | Firestone        | 1T19F-11        |
|                |               |                  |                 |
|                |               |                  |                 |
|                |               |                  |                 |
|                |               |                  |                 |
|                |               |                  |                 |
|                |               |                  |                 |
|                |               |                  |                 |



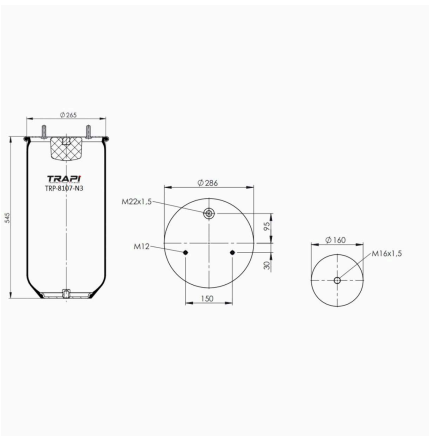
## TRP-811-N AIR SPRING WITHOUT PISTON

| OEM REFERENCES |        | CROSS REFERENCES |      |
|----------------|--------|------------------|------|
| DAF            | 676122 | Contitech        | 811M |
| DAF            | 67306  |                  |      |
|                |        |                  |      |
|                |        |                  |      |
|                |        |                  |      |
|                |        |                  |      |
|                |        |                  |      |
|                |        |                  |      |
|                |        |                  |      |
|                |        |                  |      |
|                |        |                  |      |



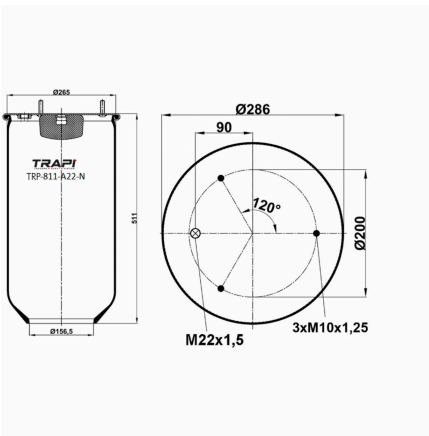
## TRP-8107-N2 AIR SPRING WITHOUT PISTON

| OEM REFERENCES |  | CROSS REFERENCES |             |
|----------------|--|------------------|-------------|
|                |  | Airtech          | 30285 K**SA |
|                |  |                  |             |
|                |  |                  |             |
|                |  |                  |             |
|                |  |                  |             |
|                |  |                  |             |
|                |  |                  |             |
|                |  |                  |             |
|                |  |                  |             |
|                |  |                  |             |



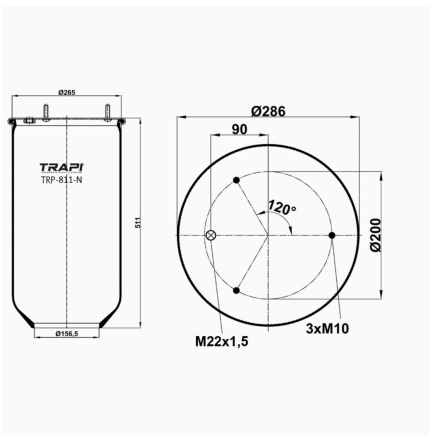
## TRP-8107-N3 AIR SPRING WITHOUT PISTON

| OEM REFERENCES |         | CROSS REFERENCES |          |
|----------------|---------|------------------|----------|
| SCHMITZ        | 017 686 | Goodyear         | 1R14-864 |
|                |         |                  |          |
|                |         |                  |          |
|                |         |                  |          |
|                |         |                  |          |
|                |         |                  |          |
|                |         |                  |          |
|                |         |                  |          |
|                |         |                  |          |
|                |         |                  |          |
|                |         |                  |          |



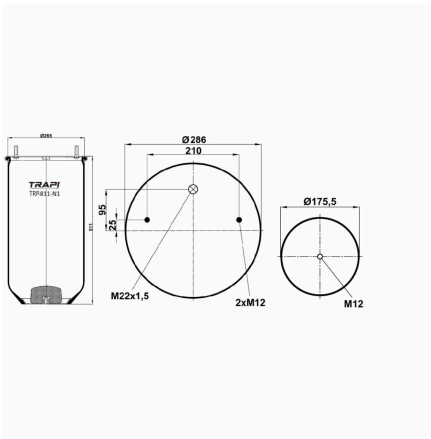
## TRP-811-A22-N AIR SPRING WITHOUT PISTON

| OEM REFERENCES |               | CROSS REFERENCES |                 |
|----------------|---------------|------------------|-----------------|
| DAF            | 4.731.029.000 | Firestone        | W01M586359      |
| DAF            | 0 526 823     | Contitech        | 811MB**SA       |
|                |               | Airtech          | 3811 P / 120042 |
|                |               | Firestone        | 1T19F-11        |
|                |               |                  |                 |
|                |               |                  |                 |
|                |               |                  |                 |
|                |               |                  |                 |
|                |               |                  |                 |
|                |               |                  |                 |
|                |               |                  |                 |
|                |               |                  |                 |



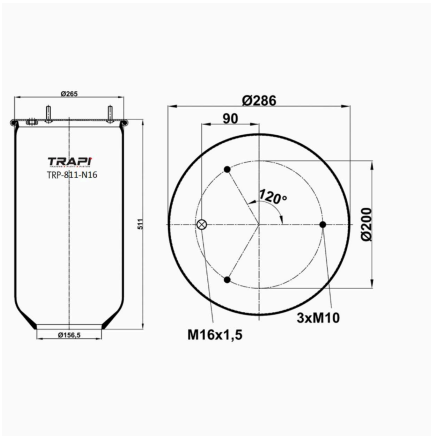
## TRP-811-N AIR SPRING WITHOUT PISTON

| OEM REFERENCES |        | CROSS REFERENCES |      |
|----------------|--------|------------------|------|
| DAF            | 676122 | Contitech        | 811M |
| DAF            | 67306  |                  |      |
|                |        |                  |      |
|                |        |                  |      |
|                |        |                  |      |
|                |        |                  |      |
|                |        |                  |      |
|                |        |                  |      |
|                |        |                  |      |
|                |        |                  |      |
|                |        |                  |      |



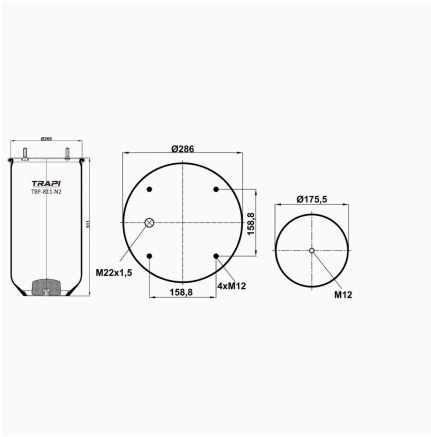
## TRP-811-N1 AIR SPRING WITHOUT PISTON

| OEM REFERENCES |  | CROSS REFERENCES |                    |
|----------------|--|------------------|--------------------|
|                |  | Airtech          | 3811-01 P / 120062 |
|                |  |                  |                    |
|                |  |                  |                    |
|                |  |                  |                    |
|                |  |                  |                    |
|                |  |                  |                    |
|                |  |                  |                    |
|                |  |                  |                    |
|                |  |                  |                    |
|                |  |                  |                    |



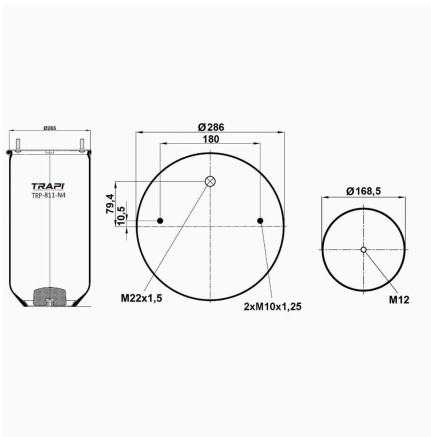
## TRP-811-N16 AIR SPRING WITHOUT PISTON

| OEM REFERENCES |       | CROSS REFERENCES |        |
|----------------|-------|------------------|--------|
| DAF            | 67452 | Contitech        | 811M16 |
|                |       |                  |        |
|                |       |                  |        |
|                |       |                  |        |
|                |       |                  |        |
|                |       |                  |        |
|                |       |                  |        |
|                |       |                  |        |
|                |       |                  |        |
|                |       |                  |        |
|                |       |                  |        |



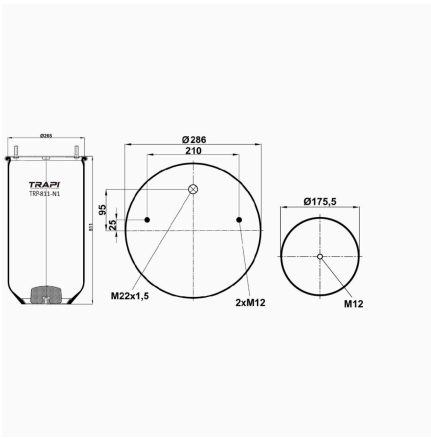
## TRP-811-N2 AIR SPRING WITHOUT PISTON

| OEM REFERENCES |  | CROSS REFERENCES |                    |
|----------------|--|------------------|--------------------|
|                |  | Airtech          | 3811-02 P / 120082 |
|                |  |                  |                    |
|                |  |                  |                    |
|                |  |                  |                    |
|                |  |                  |                    |
|                |  |                  |                    |
|                |  |                  |                    |
|                |  |                  |                    |
|                |  |                  |                    |
|                |  |                  |                    |
|                |  |                  |                    |



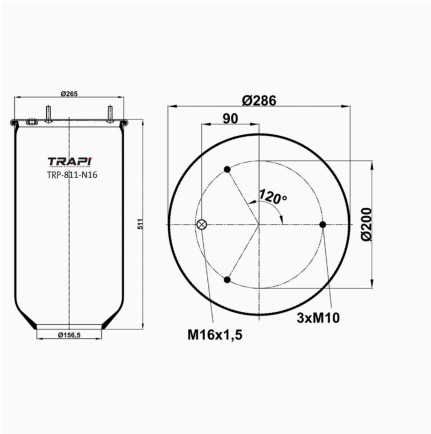
## TRP-811-N4 AIR SPRING WITHOUT PISTON

| OEM REFERENCES |  | CROSS REFERENCES |                    |
|----------------|--|------------------|--------------------|
|                |  | Airtech          | 3811-04 P / 120682 |
|                |  |                  |                    |
|                |  |                  |                    |
|                |  |                  |                    |
|                |  |                  |                    |
|                |  |                  |                    |
|                |  |                  |                    |
|                |  |                  |                    |
|                |  |                  |                    |
|                |  |                  |                    |
|                |  |                  |                    |



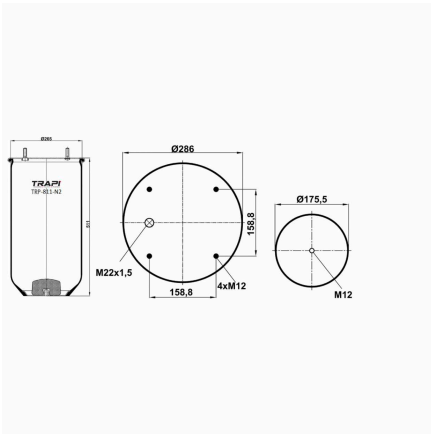
## TRP-811-N1 AIR SPRING WITHOUT PISTON

| OEM REFERENCES |  | CROSS REFERENCES |                    |
|----------------|--|------------------|--------------------|
|                |  | Airtech          | 3811-01 P / 120062 |
|                |  |                  |                    |
|                |  |                  |                    |
|                |  |                  |                    |
|                |  |                  |                    |
|                |  |                  |                    |
|                |  |                  |                    |
|                |  |                  |                    |
|                |  |                  |                    |
|                |  |                  |                    |



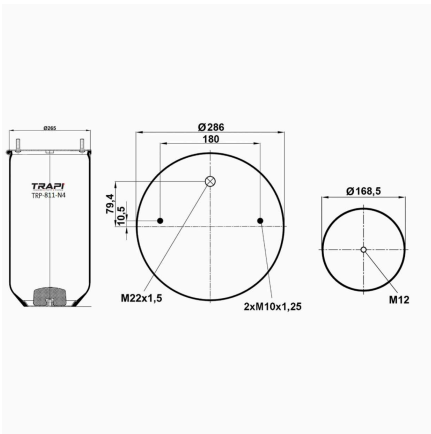
## TRP-811-N16 AIR SPRING WITHOUT PISTON

| OEM REFERENCES |       | CROSS REFERENCES |        |
|----------------|-------|------------------|--------|
| DAF            | 67452 | Contitech        | 811M16 |
|                |       |                  |        |
|                |       |                  |        |
|                |       |                  |        |
|                |       |                  |        |
|                |       |                  |        |
|                |       |                  |        |
|                |       |                  |        |
|                |       |                  |        |
|                |       |                  |        |
|                |       |                  |        |



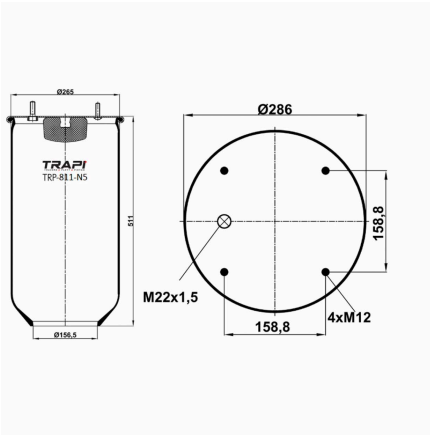
## TRP-811-N2 AIR SPRING WITHOUT PISTON

| OEM REFERENCES |  | CROSS REFERENCES |                    |
|----------------|--|------------------|--------------------|
|                |  | Airtech          | 3811-02 P / 120082 |
|                |  |                  |                    |
|                |  |                  |                    |
|                |  |                  |                    |
|                |  |                  |                    |
|                |  |                  |                    |
|                |  |                  |                    |
|                |  |                  |                    |
|                |  |                  |                    |
|                |  |                  |                    |
|                |  |                  |                    |



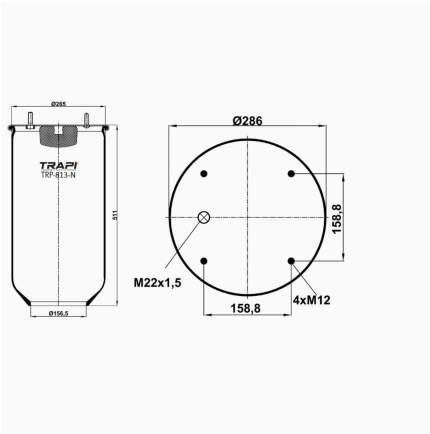
## TRP-811-N4 AIR SPRING WITHOUT PISTON

| OEM REFERENCES |  | CROSS REFERENCES |                    |
|----------------|--|------------------|--------------------|
|                |  | Airtech          | 3811-04 P / 120682 |
|                |  |                  |                    |
|                |  |                  |                    |
|                |  |                  |                    |
|                |  |                  |                    |
|                |  |                  |                    |
|                |  |                  |                    |
|                |  |                  |                    |
|                |  |                  |                    |
|                |  |                  |                    |
|                |  |                  |                    |



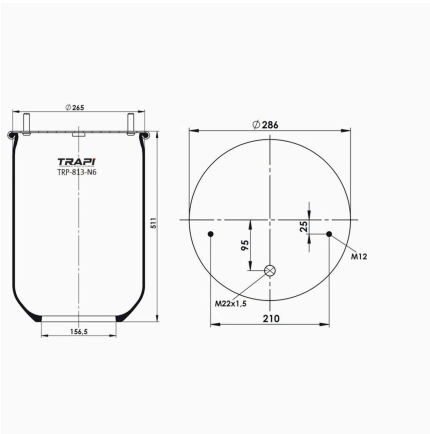
## TRP-811-N5 AIR SPRING WITHOUT PISTON

| OEM REFERENCES |  | CROSS REFERENCES |                    |
|----------------|--|------------------|--------------------|
|                |  | Airtech          | 3811-05 P / 120842 |
|                |  |                  |                    |
|                |  |                  |                    |
|                |  |                  |                    |
|                |  |                  |                    |
|                |  |                  |                    |
|                |  |                  |                    |



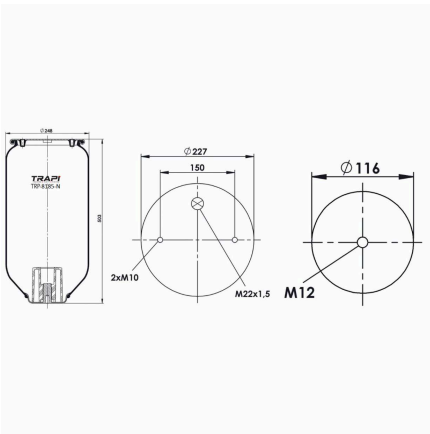
## TRP-813-N AIR SPRING WITHOUT PISTON

| OEM REFERENCES |  | CROSS REFERENCES |               |
|----------------|--|------------------|---------------|
|                |  | Firestone        | W01M587238    |
|                |  | Firestone        | 1T19L-11      |
|                |  | Contitech        | 813MB/O       |
|                |  | Phoenix          | 1 D 28 B-5 NP |
|                |  |                  |               |
|                |  |                  |               |
|                |  |                  |               |
|                |  |                  |               |



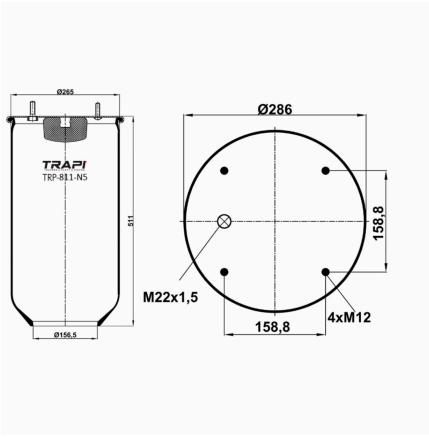
## TRP-813-N6 AIR SPRING WITHOUT PISTON

| OEM REFERENCES |  | CROSS REFERENCES |                    |
|----------------|--|------------------|--------------------|
|                |  | Airtech          | 3813-01 P / 120642 |
|                |  | Airtech          | 3813-06 K ** SA    |
|                |  |                  |                    |
|                |  |                  |                    |
|                |  |                  |                    |
|                |  |                  |                    |
|                |  |                  |                    |
|                |  |                  |                    |



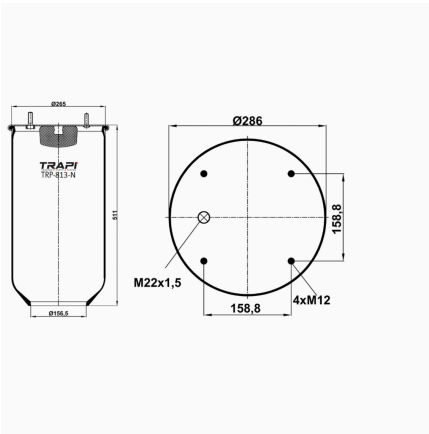
## TRP-8185-N AIR SPRING WITHOUT PISTON

| OEM REFERENCES |  | CROSS REFERENCES |                  |
|----------------|--|------------------|------------------|
|                |  | Firestone        | 1T15MPW-9        |
|                |  | Firestone        | W01 M5 88185**SA |
|                |  | Airtech          | 38185 P / 121722 |
|                |  | Goodyear         | 1R12-748         |
|                |  | Phoenix          | 1DK20B-1NP       |
|                |  |                  |                  |
|                |  |                  |                  |
|                |  |                  |                  |
|                |  |                  |                  |



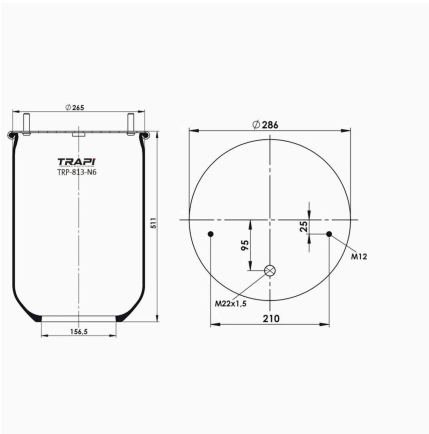
## TRP-811-N5 AIR SPRING WITHOUT PISTON

| OEM REFERENCES |  | CROSS REFERENCES |                    |
|----------------|--|------------------|--------------------|
|                |  | Airtech          | 3811-05 P / 120842 |
|                |  |                  |                    |
|                |  |                  |                    |
|                |  |                  |                    |
|                |  |                  |                    |
|                |  |                  |                    |
|                |  |                  |                    |



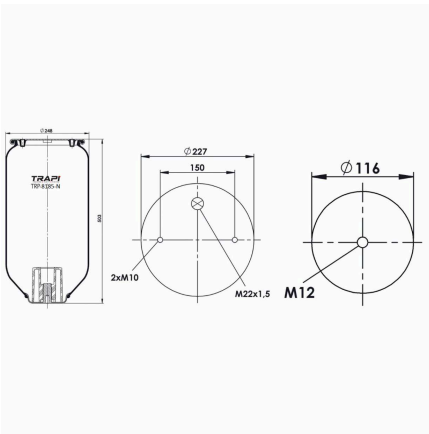
## TRP-813-N AIR SPRING WITHOUT PISTON

| OEM REFERENCES |  | CROSS REFERENCES |               |
|----------------|--|------------------|---------------|
|                |  | Firestone        | W01M587238    |
|                |  | Firestone        | 1T19L-11      |
|                |  | Contitech        | 813MB/O       |
|                |  | Phoenix          | 1 D 28 B-5 NP |
|                |  |                  |               |
|                |  |                  |               |
|                |  |                  |               |
|                |  |                  |               |



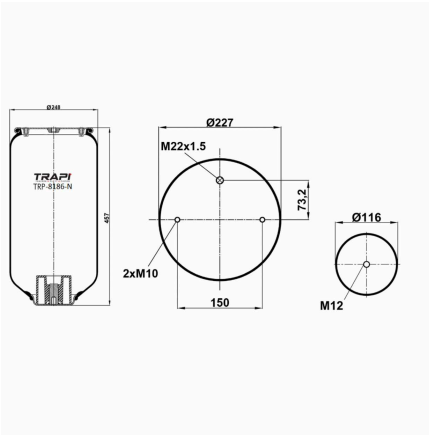
## TRP-813-N6 AIR SPRING WITHOUT PISTON

| OEM REFERENCES |  | CROSS REFERENCES |                    |
|----------------|--|------------------|--------------------|
|                |  | Airtech          | 3813-01 P / 120642 |
|                |  | Airtech          | 3813-06 K ** SA    |
|                |  |                  |                    |
|                |  |                  |                    |
|                |  |                  |                    |
|                |  |                  |                    |
|                |  |                  |                    |
|                |  |                  |                    |



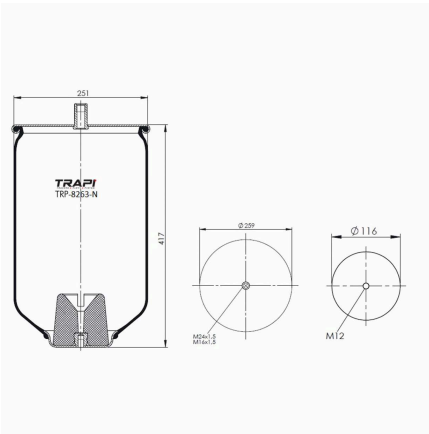
## TRP-8185-N AIR SPRING WITHOUT PISTON

| OEM REFERENCES |  | CROSS REFERENCES |                  |
|----------------|--|------------------|------------------|
|                |  | Firestone        | 1T15MPW-9        |
|                |  | Firestone        | W01 M5 88185**SA |
|                |  | Airtech          | 38185 P / 121722 |
|                |  | Goodyear         | 1R12-748         |
|                |  | Phoenix          | 1DK20B-1NP       |
|                |  |                  |                  |
|                |  |                  |                  |
|                |  |                  |                  |
|                |  |                  |                  |



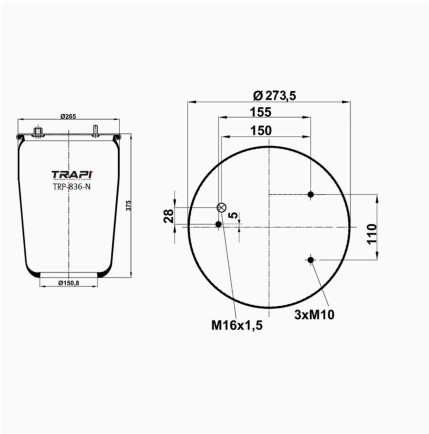
## TRP-8186-N AIR SPRING WITHOUT PISTON

| OEM REFERENCES |  | CROSS REFERENCES |                  |
|----------------|--|------------------|------------------|
|                |  | Firestone        | W019688186**SA   |
|                |  | Airtech          | 38186 P / 122022 |
|                |  | Firestone        | 1T15MPW-7        |
|                |  |                  |                  |
|                |  |                  |                  |
|                |  |                  |                  |
|                |  |                  |                  |



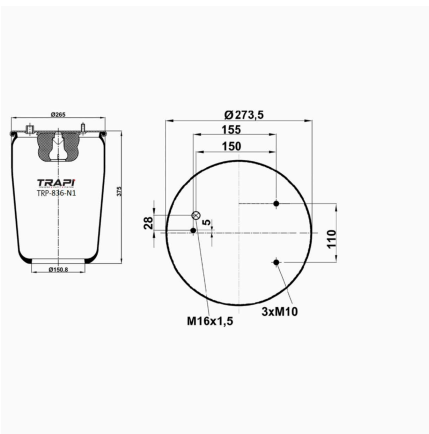
## TRP-8263-N AIR SPRING WITHOUT PISTON

| OEM REFERENCES |  | CROSS REFERENCES |              |
|----------------|--|------------------|--------------|
|                |  | Goodyear         | 1R11-847**SA |
|                |  |                  |              |
|                |  |                  |              |
|                |  |                  |              |
|                |  |                  |              |
|                |  |                  |              |
|                |  |                  |              |



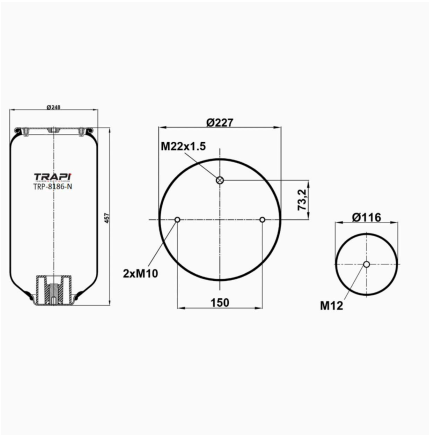
## TRP-836-N AIR SPRING WITHOUT PISTON

| OEM REFERENCES |           | CROSS REFERENCES |              |
|----------------|-----------|------------------|--------------|
| DAF            | 0 067 504 | Phoenix          | 1 DF 25-1 NP |
|                |           | Goodyear         | 1R12-700     |
|                |           | Firestone        | 1T17AR-4.5   |
|                |           | Firestone        | W01M580776   |
|                |           | Dunlop           | D13U32       |
|                |           | Contitech        | 836M         |
|                |           | Taurus           | UR721-01T    |
|                |           | Taurus           | KR721        |
|                |           | Vibracoustic     | V1DF25-1     |



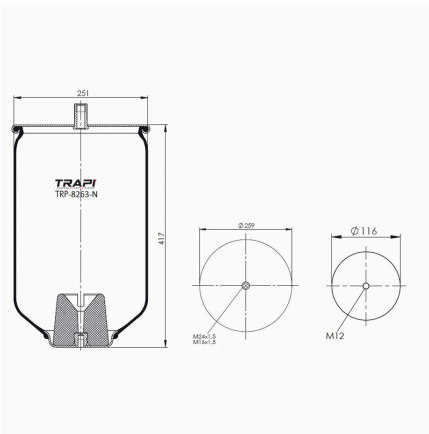
## TRP-836-N1 AIR SPRING WITHOUT PISTON

| OEM REFERENCES |         | CROSS REFERENCES |              |
|----------------|---------|------------------|--------------|
| DAF            | 0513981 | Contitech        | 836 MB       |
| DAF            | 0513985 | Firestone        | W01 M58 0775 |
|                |         | Firestone        | 1T17AR-4.5   |
|                |         | Phoenix          | 1 DF 25-4 NP |
|                |         | Vibracoustic     | V1DF25-4     |
|                |         |                  |              |
|                |         |                  |              |
|                |         |                  |              |



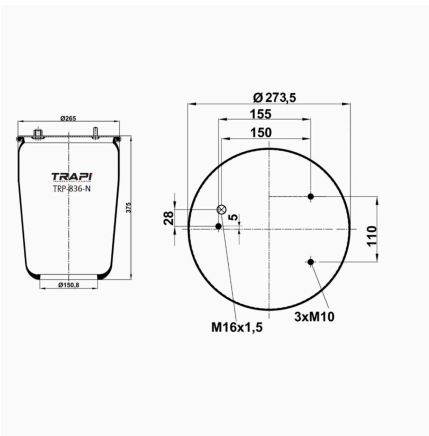
## TRP-8186-N AIR SPRING WITHOUT PISTON

| OEM REFERENCES |  | CROSS REFERENCES |                  |
|----------------|--|------------------|------------------|
|                |  | Firestone        | W019688186**SA   |
|                |  | Airtech          | 38186 P / 122022 |
|                |  | Firestone        | 1T15MPW-7        |
|                |  |                  |                  |
|                |  |                  |                  |
|                |  |                  |                  |
|                |  |                  |                  |
|                |  |                  |                  |



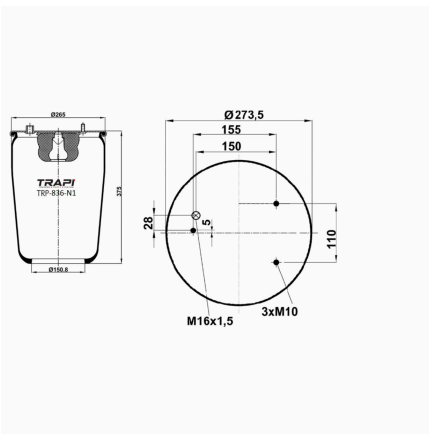
## TRP-8263-N AIR SPRING WITHOUT PISTON

| OEM REFERENCES |  | CROSS REFERENCES |              |
|----------------|--|------------------|--------------|
|                |  | Goodyear         | 1R11-847**SA |
|                |  |                  |              |
|                |  |                  |              |
|                |  |                  |              |
|                |  |                  |              |
|                |  |                  |              |
|                |  |                  |              |
|                |  |                  |              |



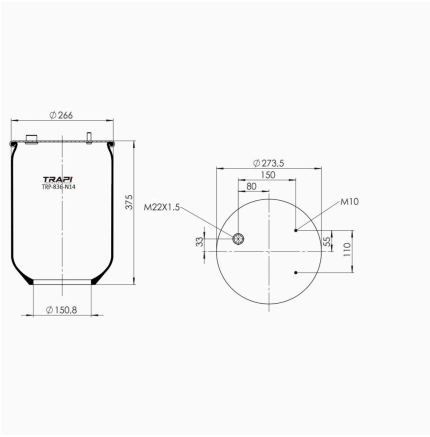
## TRP-836-N AIR SPRING WITHOUT PISTON

| OEM REFERENCES |           | CROSS REFERENCES |              |
|----------------|-----------|------------------|--------------|
| DAF            | 0 067 504 | Phoenix          | 1 DF 25-1 NP |
|                |           | Goodyear         | 1R12-700     |
|                |           | Firestone        | 1T17AR-4.5   |
|                |           | Firestone        | W01M580776   |
|                |           | Dunlop           | D13U32       |
|                |           | Contitech        | 836M         |
|                |           | Taurus           | UR721-01T    |
|                |           | Taurus           | KR721        |
|                |           | Vibracoustic     | V1DF25-1     |
|                |           |                  |              |



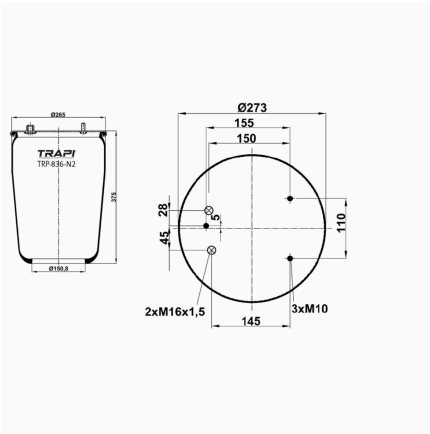
## TRP-836-N1 AIR SPRING WITHOUT PISTON

| OEM REFERENCES |         | CROSS REFERENCES |              |
|----------------|---------|------------------|--------------|
| DAF            | 0513981 | Contitech        | 836 MB       |
| DAF            | 0513985 | Firestone        | W01 M58 0775 |
|                |         | Firestone        | 1T17AR-4.5   |
|                |         | Phoenix          | 1 DF 25-4 NP |
|                |         | Vibracoustic     | V1DF25-4     |
|                |         |                  |              |
|                |         |                  |              |
|                |         |                  |              |
|                |         |                  |              |



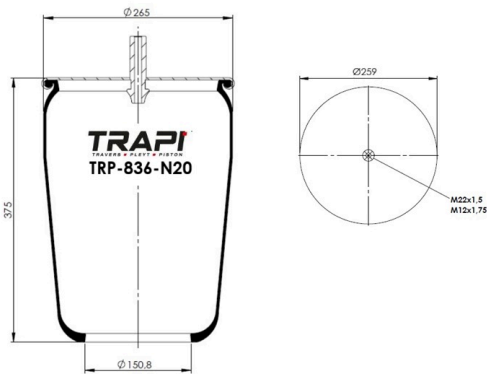
## TRP-836-N14 AIR SPRING WITHOUT PISTON

| OEM REFERENCES |  | CROSS REFERENCES |               |
|----------------|--|------------------|---------------|
|                |  | Contitech        | 836 N P10**SA |
|                |  |                  |               |
|                |  |                  |               |
|                |  |                  |               |
|                |  |                  |               |
|                |  |                  |               |
|                |  |                  |               |



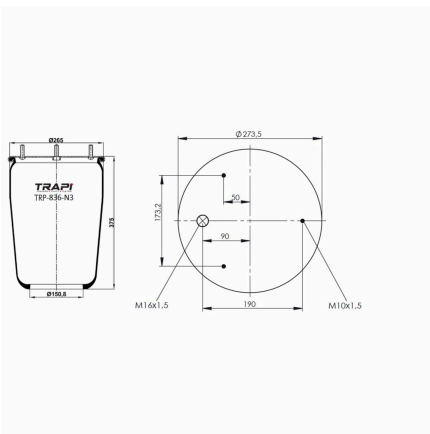
## TRP-836-N2 AIR SPRING WITHOUT PISTON

| OEM REFERENCES |         | CROSS REFERENCES |              |
|----------------|---------|------------------|--------------|
| DAF            | 0513982 | Phoenix          | 1 DF 25-3 NP |
|                |         | Goodyear         | 1R12-710     |
|                |         | Firestone        | 1T17AR-4.5   |
|                |         | Firestone        | W01M580777   |
|                |         | Dunlop           | D13U31       |
|                |         | Contitech        | 836M2        |
|                |         | Taurus           | UR721-03T    |
|                |         | Vibracoustic     | VIDF25-3     |
|                |         |                  |              |
|                |         |                  |              |



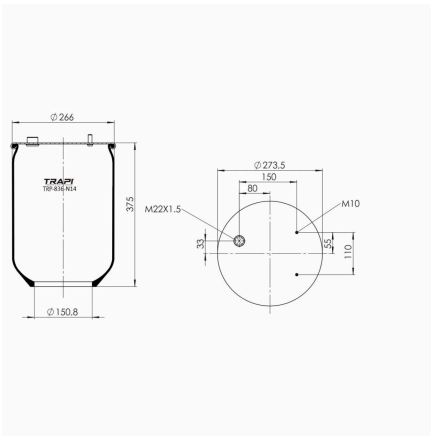
## TRP-836-N20 AIR SPRING WITHOUT PISTON

| OEM REFERENCES |            | CROSS REFERENCES |  |
|----------------|------------|------------------|--|
| BMC            | 53RS900004 |                  |  |
|                |            |                  |  |
|                |            |                  |  |
|                |            |                  |  |
|                |            |                  |  |
|                |            |                  |  |
|                |            |                  |  |
|                |            |                  |  |



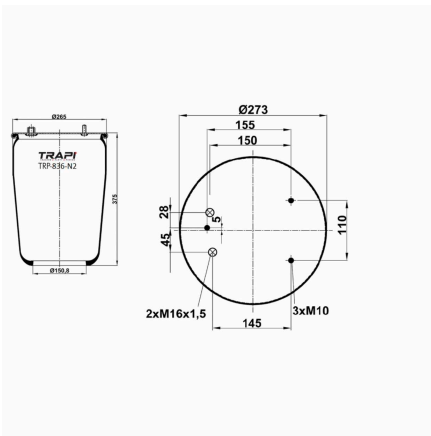
## TRP-836-N3 AIR SPRING WITHOUT PISTON

| OEM REFERENCES |                | CROSS REFERENCES |  |
|----------------|----------------|------------------|--|
| BMC BELDE      | 7B 100323BMC P |                  |  |
|                |                |                  |  |
|                |                |                  |  |
|                |                |                  |  |
|                |                |                  |  |
|                |                |                  |  |
|                |                |                  |  |
|                |                |                  |  |



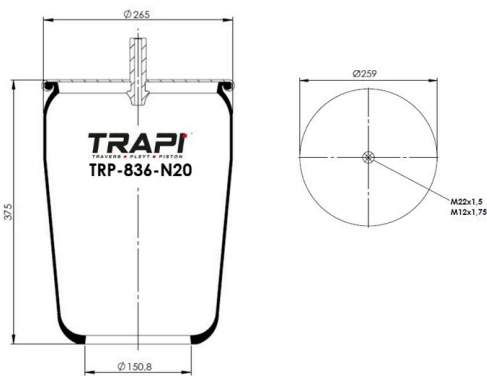
## TRP-836-N14 AIR SPRING WITHOUT PISTON

| OEM REFERENCES |  | CROSS REFERENCES |               |
|----------------|--|------------------|---------------|
|                |  | Contitech        | 836 N P10**SA |
|                |  |                  |               |
|                |  |                  |               |
|                |  |                  |               |
|                |  |                  |               |
|                |  |                  |               |
|                |  |                  |               |



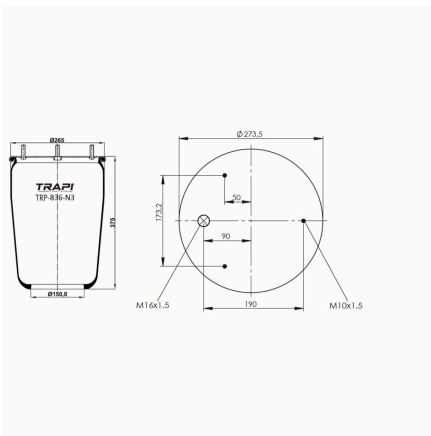
## TRP-836-N2 AIR SPRING WITHOUT PISTON

| OEM REFERENCES |         | CROSS REFERENCES |              |
|----------------|---------|------------------|--------------|
| DAF            | 0513982 | Phoenix          | 1 DF 25-3 NP |
|                |         | Goodyear         | 1R12-710     |
|                |         | Firestone        | 1T17AR-4.5   |
|                |         | Firestone        | W01M580777   |
|                |         | Dunlop           | D13U31       |
|                |         | Contitech        | 836M2        |
|                |         | Taurus           | UR721-03T    |
|                |         | Vibracoustic     | VIDF25-3     |
|                |         |                  |              |
|                |         |                  |              |



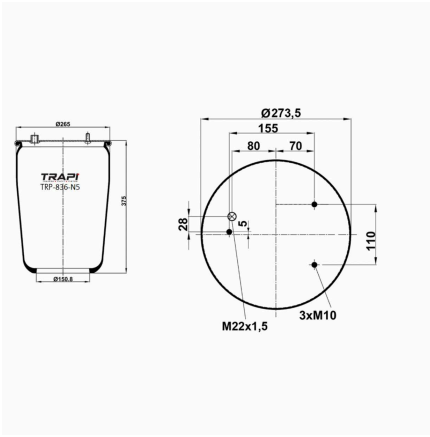
## TRP-836-N20 AIR SPRING WITHOUT PISTON

| OEM REFERENCES |            | CROSS REFERENCES |  |
|----------------|------------|------------------|--|
| BMC            | 53RS900004 |                  |  |
|                |            |                  |  |
|                |            |                  |  |
|                |            |                  |  |
|                |            |                  |  |
|                |            |                  |  |
|                |            |                  |  |
|                |            |                  |  |



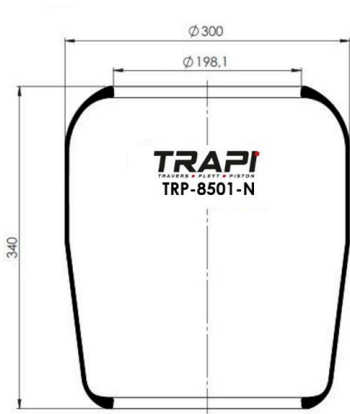
## TRP-836-N3 AIR SPRING WITHOUT PISTON

| OEM REFERENCES |                | CROSS REFERENCES |  |
|----------------|----------------|------------------|--|
| BMC BELDE      | 7B 100323BMC P |                  |  |
|                |                |                  |  |
|                |                |                  |  |
|                |                |                  |  |
|                |                |                  |  |
|                |                |                  |  |
|                |                |                  |  |
|                |                |                  |  |



## TRP-836-N AIR SPRING WITHOUT PISTON

| OEM REFERENCES |  | CROSS REFERENCES |               |
|----------------|--|------------------|---------------|
|                |  | Contitech        | 836 N P05**SA |
|                |  |                  |               |
|                |  |                  |               |
|                |  |                  |               |
|                |  |                  |               |
|                |  |                  |               |
|                |  |                  |               |
|                |  |                  |               |
|                |  |                  |               |
|                |  |                  |               |



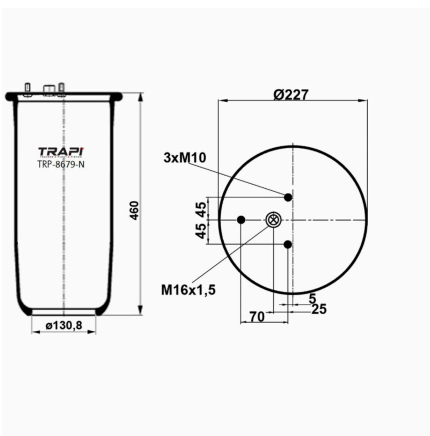
## TRP-8501-N AIR SPRING WITHOUT PISTON

| OEM REFERENCES |         | CROSS REFERENCES |  |
|----------------|---------|------------------|--|
| BREDAMENARINI  | D305515 |                  |  |
|                |         |                  |  |
|                |         |                  |  |
|                |         |                  |  |
|                |         |                  |  |
|                |         |                  |  |
|                |         |                  |  |
|                |         |                  |  |
|                |         |                  |  |
|                |         |                  |  |
|                |         |                  |  |



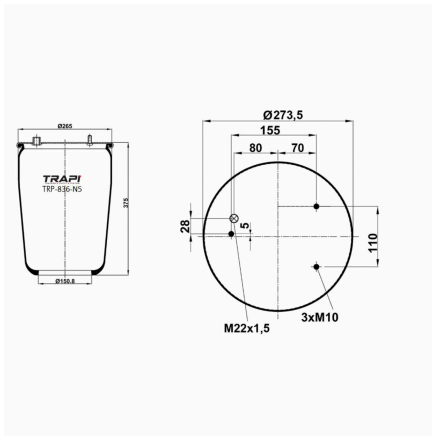
## TRP-8608-N AIR SPRING WITHOUT PISTON

| OEM REFERENCES |  | CROSS REFERENCES |                  |
|----------------|--|------------------|------------------|
|                |  | Airtech          | 38608 P / 123042 |
|                |  |                  |                  |
|                |  |                  |                  |
|                |  |                  |                  |
|                |  |                  |                  |
|                |  |                  |                  |
|                |  |                  |                  |
|                |  |                  |                  |
|                |  |                  |                  |
|                |  |                  |                  |
|                |  |                  |                  |



## TRP-8679-N AIR SPRING WITHOUT PISTON

| OEM REFERENCES |         | CROSS REFERENCES |                |
|----------------|---------|------------------|----------------|
| DAF            | 1276846 | Firestone        | W01M588679**SA |
|                |         | Firestone        | 1T15LLR-5      |
|                |         | Contitech        | 889M           |
|                |         |                  |                |
|                |         |                  |                |
|                |         |                  |                |
|                |         |                  |                |
|                |         |                  |                |
|                |         |                  |                |
|                |         |                  |                |
|                |         |                  |                |
|                |         |                  |                |



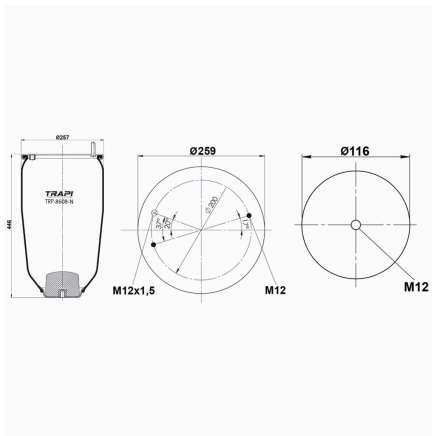
## TRP-836-N AIR SPRING WITHOUT PISTON

| OEM REFERENCES |  | CROSS REFERENCES |               |
|----------------|--|------------------|---------------|
|                |  | Contitech        | 836 N P05**SA |
|                |  |                  |               |
|                |  |                  |               |
|                |  |                  |               |
|                |  |                  |               |
|                |  |                  |               |
|                |  |                  |               |
|                |  |                  |               |
|                |  |                  |               |
|                |  |                  |               |



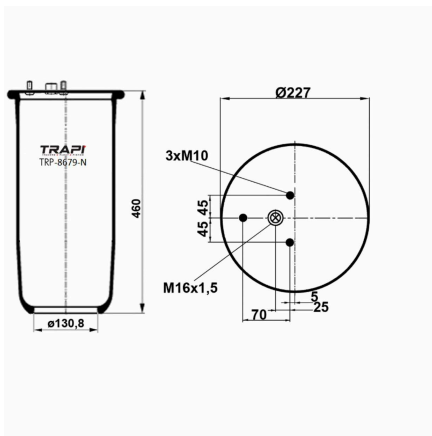
## TRP-8501-N AIR SPRING WITHOUT PISTON

| OEM REFERENCES |         | CROSS REFERENCES |  |
|----------------|---------|------------------|--|
| BREDAMENARINI  | D305515 |                  |  |
|                |         |                  |  |
|                |         |                  |  |
|                |         |                  |  |
|                |         |                  |  |
|                |         |                  |  |
|                |         |                  |  |
|                |         |                  |  |
|                |         |                  |  |
|                |         |                  |  |
|                |         |                  |  |



## TRP-8608-N AIR SPRING WITHOUT PISTON

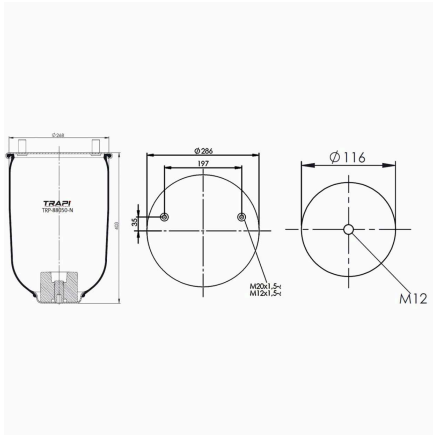
| OEM REFERENCES |  | CROSS REFERENCES |                  |
|----------------|--|------------------|------------------|
|                |  | Airtech          | 38608 P / 123042 |
|                |  |                  |                  |
|                |  |                  |                  |
|                |  |                  |                  |
|                |  |                  |                  |
|                |  |                  |                  |
|                |  |                  |                  |
|                |  |                  |                  |
|                |  |                  |                  |
|                |  |                  |                  |
|                |  |                  |                  |



## TRP-8679-N AIR SPRING WITHOUT PISTON

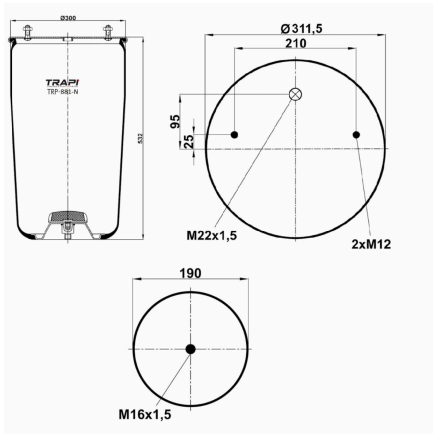
| OEM REFERENCES |         | CROSS REFERENCES |                |
|----------------|---------|------------------|----------------|
| DAF            | 1276846 | Firestone        | W01M588679**SA |
|                |         | Firestone        | 1T15LLR-5      |
|                |         | Contitech        | 889M           |
|                |         |                  |                |
|                |         |                  |                |
|                |         |                  |                |
|                |         |                  |                |
|                |         |                  |                |
|                |         |                  |                |
|                |         |                  |                |
|                |         |                  |                |
|                |         |                  |                |





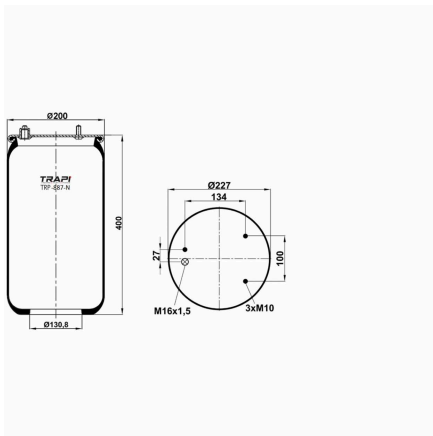
## TRP-88050-N AIR SPRING WITHOUT PISTON

| OEM REFERENCES  |  | CROSS REFERENCES |  |
|-----------------|--|------------------|--|
| SPECIAL PRODUCT |  |                  |  |
|                 |  |                  |  |
|                 |  |                  |  |
|                 |  |                  |  |
|                 |  |                  |  |
|                 |  |                  |  |
|                 |  |                  |  |
|                 |  |                  |  |
|                 |  |                  |  |
|                 |  |                  |  |



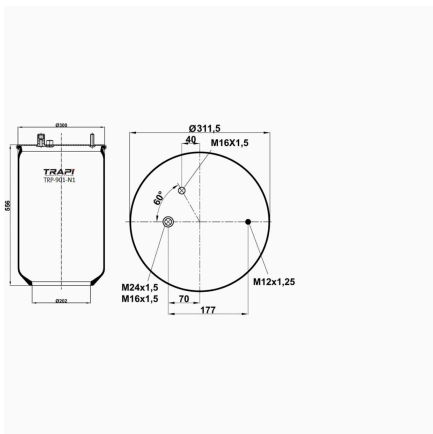
## TRP-881-N AIR SPRING WITHOUT PISTON

| OEM REFERENCES |                | CROSS REFERENCES |                    |
|----------------|----------------|------------------|--------------------|
| BPW            | BPW36          | Phoenix          | 1 DK 32            |
| BPW            | 05.429.40.01.0 | Goodyear         | 1R14-708           |
|                |                | Firestone        | 1T66F-10.8         |
|                |                | Firestone        | W01 M58 8978       |
|                |                | Dunlop           | D14U36             |
|                |                | Contitech        | 881 MB             |
|                |                | Cf Gomma         | 1TC360-45 / 204530 |
|                |                | Taurus           | KR836-01           |
|                |                | Taurus           | UR836-01T          |



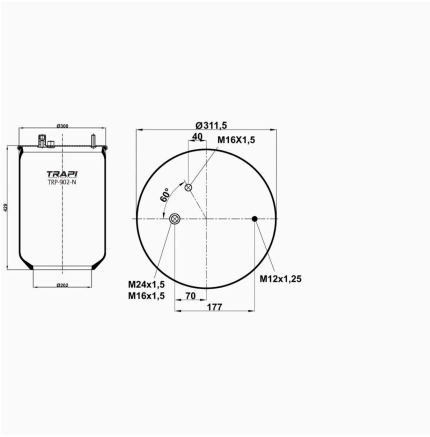
## TRP-887-N AIR SPRING WITHOUT PISTON

| OEM REFERENCES |         | CROSS REFERENCES |            |
|----------------|---------|------------------|------------|
| DAF            | 0513983 | Firestone        | 1T15LNR-3  |
|                |         | Firestone        | W01M580780 |
|                |         | Contitech        | 887M       |
|                |         |                  |            |
|                |         |                  |            |
|                |         |                  |            |
|                |         |                  |            |
|                |         |                  |            |
|                |         |                  |            |
|                |         |                  |            |



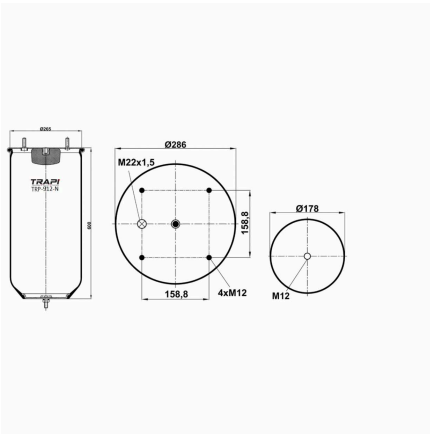
## TRP-901-N1 AIR SPRING WITHOUT PISTON

| OEM REFERENCES |  | CROSS REFERENCES |           |
|----------------|--|------------------|-----------|
|                |  | Contitech        | 901MB**SA |
|                |  |                  |           |
|                |  |                  |           |
|                |  |                  |           |
|                |  |                  |           |
|                |  |                  |           |
|                |  |                  |           |
|                |  |                  |           |
|                |  |                  |           |
|                |  |                  |           |



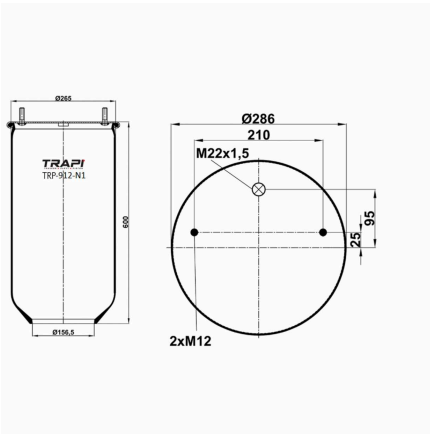
## TRP-902-N AIR SPRING WITHOUT PISTON

| OEM REFERENCES |  | CROSS REFERENCES |           |
|----------------|--|------------------|-----------|
|                |  | Contitech        | 902MB**SA |
|                |  |                  |           |
|                |  |                  |           |
|                |  |                  |           |
|                |  |                  |           |
|                |  |                  |           |
|                |  |                  |           |
|                |  |                  |           |
|                |  |                  |           |
|                |  |                  |           |



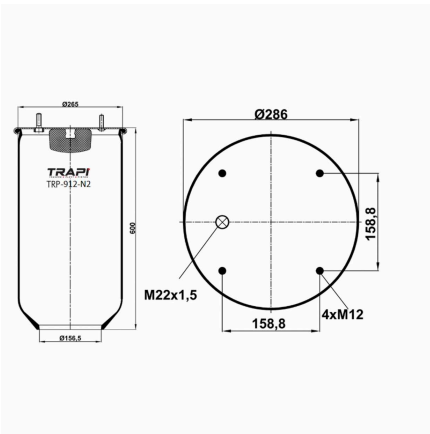
## TRP-912-N AIR SPRING WITHOUT PISTON

| OEM REFERENCES |  | CROSS REFERENCES |                    |
|----------------|--|------------------|--------------------|
|                |  | Airtech          | 3912K**SA / 132062 |
|                |  |                  |                    |
|                |  |                  |                    |
|                |  |                  |                    |
|                |  |                  |                    |
|                |  |                  |                    |
|                |  |                  |                    |
|                |  |                  |                    |
|                |  |                  |                    |
|                |  |                  |                    |
|                |  |                  |                    |



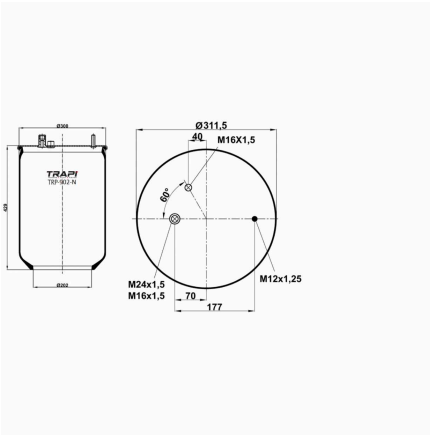
## TRP-912-N1 AIR SPRING WITHOUT PISTON

| OEM REFERENCES |  | CROSS REFERENCES |             |
|----------------|--|------------------|-------------|
|                |  | Contitech        | 912NP01**SA |
|                |  |                  |             |
|                |  |                  |             |
|                |  |                  |             |
|                |  |                  |             |
|                |  |                  |             |
|                |  |                  |             |
|                |  |                  |             |
|                |  |                  |             |
|                |  |                  |             |
|                |  |                  |             |



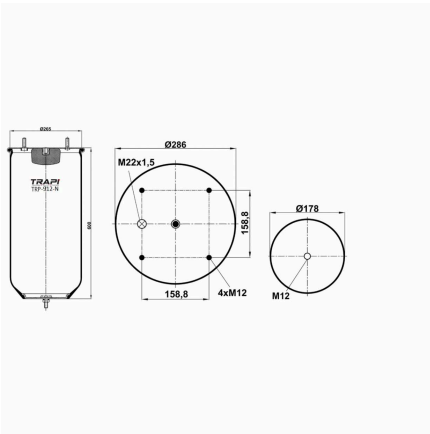
## TRP-912-N2 AIR SPRING WITHOUT PISTON

| OEM REFERENCES |  | CROSS REFERENCES |             |
|----------------|--|------------------|-------------|
|                |  | Contitech        | 912NP02**SA |
|                |  |                  |             |
|                |  |                  |             |
|                |  |                  |             |
|                |  |                  |             |
|                |  |                  |             |
|                |  |                  |             |
|                |  |                  |             |
|                |  |                  |             |
|                |  |                  |             |
|                |  |                  |             |



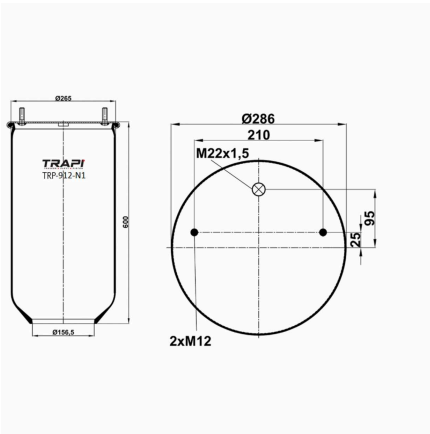
## TRP-902-N AIR SPRING WITHOUT PISTON

| OEM REFERENCES |  | CROSS REFERENCES |           |
|----------------|--|------------------|-----------|
|                |  | Contitech        | 902MB**SA |
|                |  |                  |           |
|                |  |                  |           |
|                |  |                  |           |
|                |  |                  |           |
|                |  |                  |           |
|                |  |                  |           |
|                |  |                  |           |
|                |  |                  |           |
|                |  |                  |           |



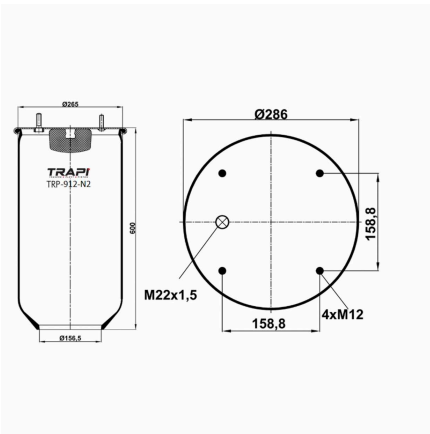
## TRP-912-N AIR SPRING WITHOUT PISTON

| OEM REFERENCES |  | CROSS REFERENCES |                    |
|----------------|--|------------------|--------------------|
|                |  | Airtech          | 3912K**SA / 132062 |
|                |  |                  |                    |
|                |  |                  |                    |
|                |  |                  |                    |
|                |  |                  |                    |
|                |  |                  |                    |
|                |  |                  |                    |
|                |  |                  |                    |
|                |  |                  |                    |
|                |  |                  |                    |
|                |  |                  |                    |



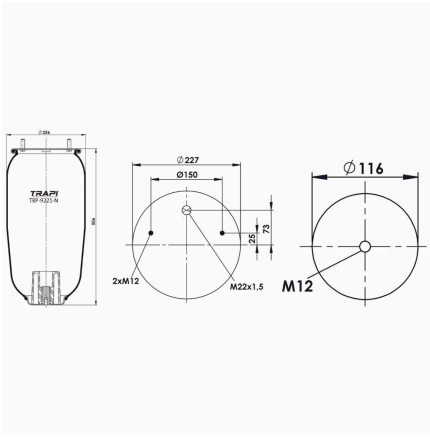
## TRP-912-N1 AIR SPRING WITHOUT PISTON

| OEM REFERENCES |  | CROSS REFERENCES |             |
|----------------|--|------------------|-------------|
|                |  | Contitech        | 912NP01**SA |
|                |  |                  |             |
|                |  |                  |             |
|                |  |                  |             |
|                |  |                  |             |
|                |  |                  |             |
|                |  |                  |             |
|                |  |                  |             |
|                |  |                  |             |
|                |  |                  |             |
|                |  |                  |             |



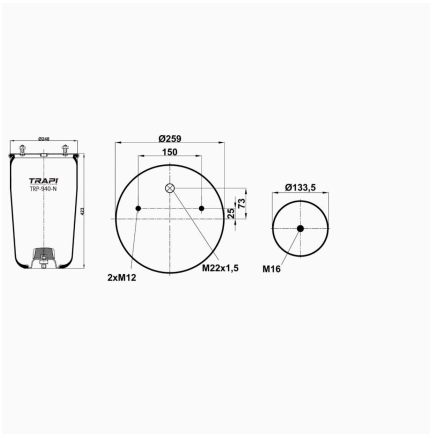
## TRP-912-N2 AIR SPRING WITHOUT PISTON

| OEM REFERENCES |  | CROSS REFERENCES |             |
|----------------|--|------------------|-------------|
|                |  | Contitech        | 912NP02**SA |
|                |  |                  |             |
|                |  |                  |             |
|                |  |                  |             |
|                |  |                  |             |
|                |  |                  |             |
|                |  |                  |             |
|                |  |                  |             |
|                |  |                  |             |
|                |  |                  |             |
|                |  |                  |             |



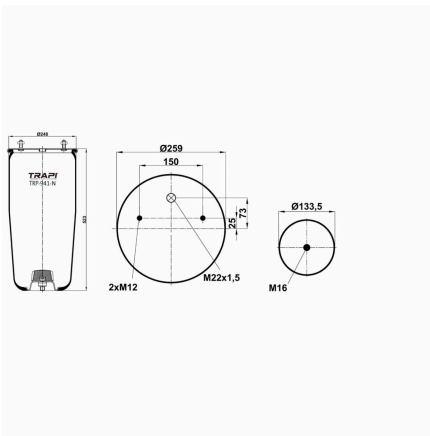
## TRP-9221-N AIR SPRING WITHOUT PISTON

| OEM REFERENCES |            | CROSS REFERENCES |  |
|----------------|------------|------------------|--|
| ISUZU          | 3870009221 |                  |  |
|                |            |                  |  |
|                |            |                  |  |
|                |            |                  |  |
|                |            |                  |  |
|                |            |                  |  |
|                |            |                  |  |
|                |            |                  |  |



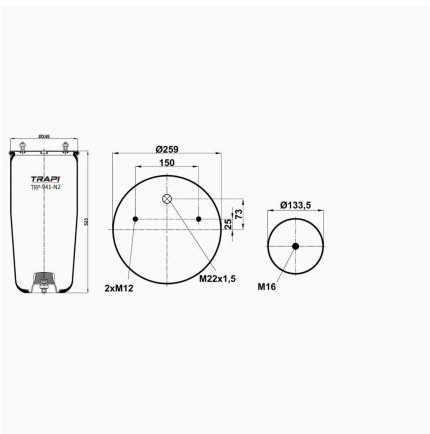
## TRP-940-N AIR SPRING WITHOUT PISTON

| OEM REFERENCES |                  | CROSS REFERENCES |                  |
|----------------|------------------|------------------|------------------|
| BPW            | BPW 05.42940.091 | Goodyear         | 1R11-703         |
| BPW            | BPW30K           | Firestone        | 1T17D-4.3        |
| BPW            | 05.429.40.91.0   | Firestone        | W01M588613       |
|                |                  | Dunlop           | D11U31           |
|                |                  | Contitech        | 940MB            |
|                |                  | Cf Gomma         | 1TC300-30-205536 |
|                |                  | Phoenix          | 1DK21K           |
|                |                  | Taurus           | KR732-01         |
|                |                  |                  |                  |
|                |                  |                  |                  |



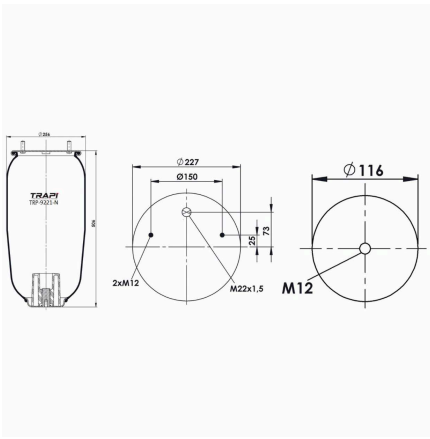
## TRP-941-N AIR SPRING WITHOUT PISTON

| OEM REFERENCES |                | CROSS REFERENCES |                  |
|----------------|----------------|------------------|------------------|
| BPW            | BPW30          | Goodyear         | 1R11-700         |
| BPW            | 05.429.40.03.0 | Firestone        | W01M588620       |
|                |                | Firestone        | 1T17D-8.3        |
|                |                | Dunlop           | D11U30           |
|                |                | Contitech        | 941MB            |
|                |                | Cf Gomma         | 1TC300-36 204466 |
|                |                | Phoenix          | 1DK21            |
|                |                | Taurus           | KR730-01         |
|                |                |                  |                  |
|                |                |                  |                  |



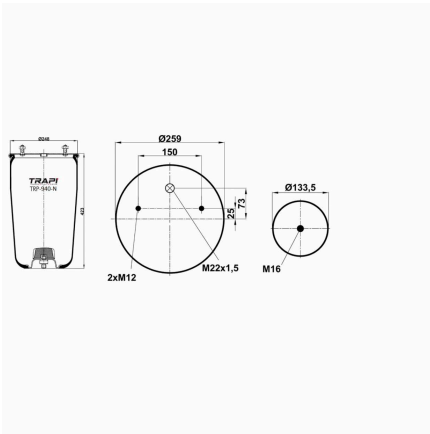
## TRP-941-N2 AIR SPRING WITHOUT PISTON

| OEM REFERENCES |  | CROSS REFERENCES |              |
|----------------|--|------------------|--------------|
|                |  | Goodyear         | 1R11-702**SA |
|                |  |                  |              |
|                |  |                  |              |
|                |  |                  |              |
|                |  |                  |              |
|                |  |                  |              |
|                |  |                  |              |
|                |  |                  |              |



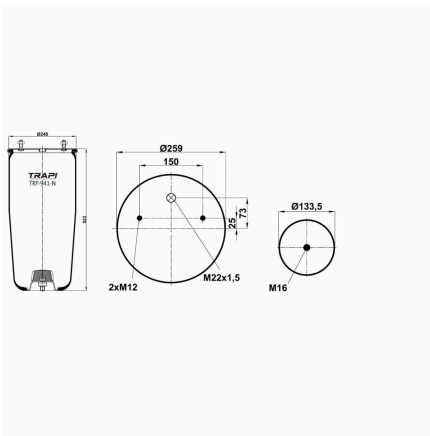
## TRP-9221-N AIR SPRING WITHOUT PISTON

| OEM REFERENCES |            | CROSS REFERENCES |  |
|----------------|------------|------------------|--|
| ISUZU          | 3870009221 |                  |  |
|                |            |                  |  |
|                |            |                  |  |
|                |            |                  |  |
|                |            |                  |  |
|                |            |                  |  |
|                |            |                  |  |
|                |            |                  |  |



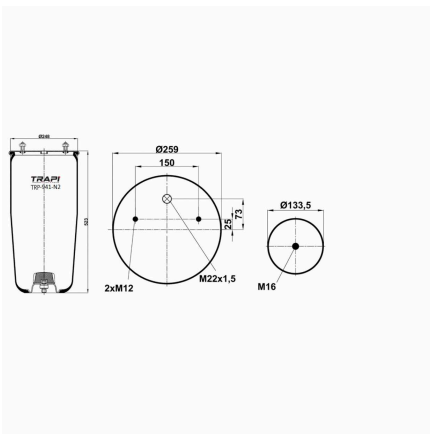
## TRP-940-N AIR SPRING WITHOUT PISTON

| OEM REFERENCES |                  | CROSS REFERENCES |                  |
|----------------|------------------|------------------|------------------|
| BPW            | BPW 05.42940.091 | Goodyear         | 1R11-703         |
| BPW            | BPW30K           | Firestone        | 1T17D-4.3        |
| BPW            | 05.429.40.91.0   | Firestone        | W01M588613       |
|                |                  | Dunlop           | D11U31           |
|                |                  | Contitech        | 940MB            |
|                |                  | Cf Gomma         | 1TC300-30-205536 |
|                |                  | Phoenix          | 1DK21K           |
|                |                  | Taurus           | KR732-01         |
|                |                  |                  |                  |
|                |                  |                  |                  |



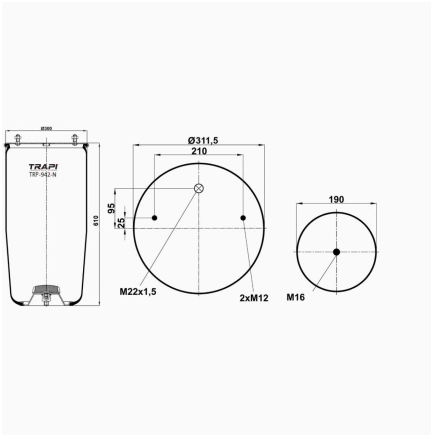
## TRP-941-N AIR SPRING WITHOUT PISTON

| OEM REFERENCES |                | CROSS REFERENCES |                  |
|----------------|----------------|------------------|------------------|
| BPW            | BPW30          | Goodyear         | 1R11-700         |
| BPW            | 05.429.40.03.0 | Firestone        | W01M588620       |
|                |                | Firestone        | 1T17D-8.3        |
|                |                | Dunlop           | D11U30           |
|                |                | Contitech        | 941MB            |
|                |                | Cf Gomma         | 1TC300-36 204466 |
|                |                | Phoenix          | 1DK21            |
|                |                | Taurus           | KR730-01         |
|                |                |                  |                  |
|                |                |                  |                  |



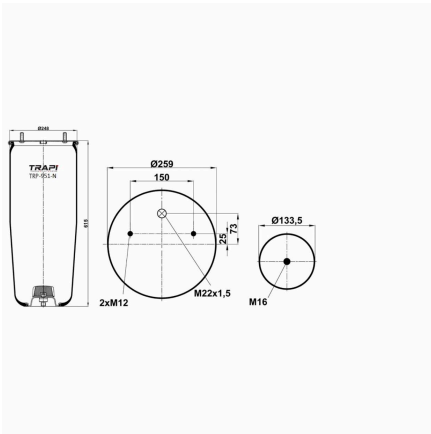
## TRP-941-N2 AIR SPRING WITHOUT PISTON

| OEM REFERENCES |  | CROSS REFERENCES |              |
|----------------|--|------------------|--------------|
|                |  | Goodyear         | 1R11-702**SA |
|                |  |                  |              |
|                |  |                  |              |
|                |  |                  |              |
|                |  |                  |              |
|                |  |                  |              |
|                |  |                  |              |
|                |  |                  |              |



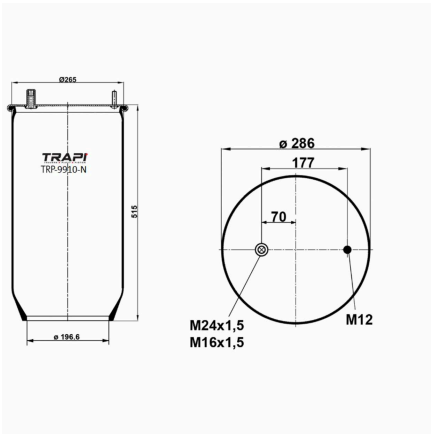
## TRP-942-N AIR SPRING WITHOUT PISTON

| OEM REFERENCES |                | CROSS REFERENCES |            |
|----------------|----------------|------------------|------------|
| BPW            | BPW36-1        | Contitech        | 942MB      |
| BPW            | 05.429.40.05.0 | Firestone        | 1T66D-13.5 |
|                |                | Firestone        | W01M588611 |
|                |                | Goodyear         | 1R14-700   |
|                |                | Phoenix          | 1DK32L     |
|                |                | Taurus           | UR837-01T  |
|                |                |                  |            |
|                |                |                  |            |
|                |                |                  |            |



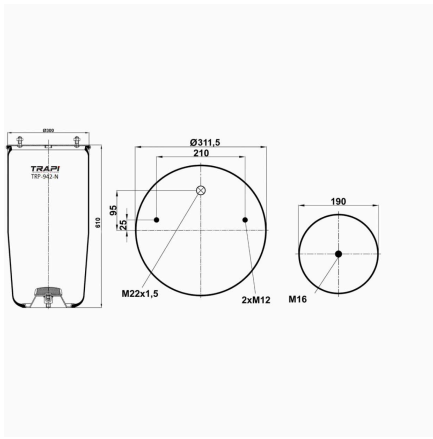
## TRP-951-N AIR SPRING WITHOUT PISTON

| OEM REFERENCES |                | CROSS REFERENCES |            |
|----------------|----------------|------------------|------------|
| BPW            | BPW30-1        | Goodyear         | 1R11-704   |
| BPW            | 05.429.40.72.0 | Firestone        | 1T17D-11.8 |
|                |                | Firestone        | W01M588621 |
|                |                | Contitech        | 951MB      |
|                |                |                  |            |
|                |                |                  |            |
|                |                |                  |            |
|                |                |                  |            |



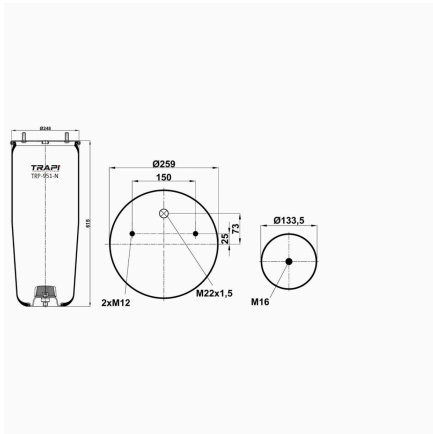
## TRP-9910-N AIR SPRING WITHOUT PISTON

| OEM REFERENCES |  | CROSS REFERENCES |             |
|----------------|--|------------------|-------------|
|                |  | Airtech          | 39910 K**SA |
|                |  |                  |             |
|                |  |                  |             |
|                |  |                  |             |
|                |  |                  |             |
|                |  |                  |             |
|                |  |                  |             |
|                |  |                  |             |



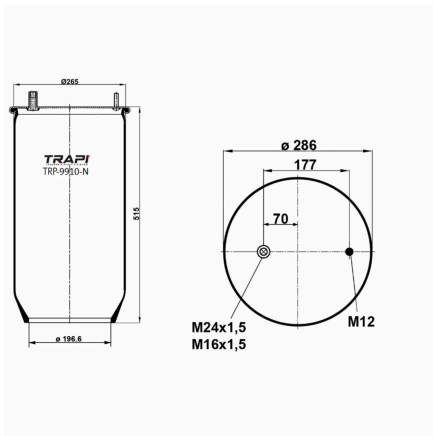
## TRP-942-N AIR SPRING WITHOUT PISTON

| OEM REFERENCES |                | CROSS REFERENCES |             |
|----------------|----------------|------------------|-------------|
| BPW            | BPW36-1        | Contitech        | 942MB       |
| BPW            | 05.429.40.05.0 | Firestone        | 1T166D-13.5 |
|                |                | Firestone        | W01M588611  |
|                |                | Goodyear         | 1R14-700    |
|                |                | Phoenix          | 1DK32L      |
|                |                | Taurus           | UR837-01T   |
|                |                |                  |             |
|                |                |                  |             |
|                |                |                  |             |



## TRP-951-N AIR SPRING WITHOUT PISTON

| OEM REFERENCES |                | CROSS REFERENCES |            |
|----------------|----------------|------------------|------------|
| BPW            | BPW30-1        | Goodyear         | 1R11-704   |
| BPW            | 05.429.40.72.0 | Firestone        | 1T17D-11.8 |
|                |                | Firestone        | W01M588621 |
|                |                | Contitech        | 951MB      |
|                |                |                  |            |
|                |                |                  |            |
|                |                |                  |            |
|                |                |                  |            |



## TRP-9910-N AIR SPRING WITHOUT PISTON

| OEM REFERENCES |  | CROSS REFERENCES |             |
|----------------|--|------------------|-------------|
|                |  | Airtech          | 39910 K**SA |
|                |  |                  |             |
|                |  |                  |             |
|                |  |                  |             |
|                |  |                  |             |
|                |  |                  |             |
|                |  |                  |             |
|                |  |                  |             |

# Notes



A series of horizontal dotted lines for writing notes, spanning the width of the page.



*Safe Travels...*  
**With**

**TRAPI**  
TR AVERS ■ PLEYT ■ PISTON



[trapi.com.tr](https://trapi.com.tr)

