

TRAPI

TR AVERS ■ PLEYT ■ PISTON



Turbo Suction Hose Air Tube

Air Spring Holder Travers Air Spring

Spring Bottom Pistons Bus Stabiliz

nomo Involutes Turbo Suction Hose

Stabilizator

General Catalog

2026

TRAPI

TR AVERS ■ PLEYT ■ PISTON

"Comfort"
is made possible
by the correct
combination of parts.



MORE EVERY DAY

Index

AIR SPRING LOWER PISTONS

AIR SPRING TOP PLATES

AIR SPRING HOLDER TRAVERSES

STABILIZER BARS

CHASIS CONNECTION EQUIPMENTS

TRANSMISSION MAST

AIR SUSPENSION EQUIPMENT

SERVICE ASSEMBLY (WITHOUT PISTON)

ROLL AIR SPRINGS

COMPLETE WITH PISTON

CONVOLUTED AIR SPRINGS

AMERICAN AIR SPRINGS

AIR SPRING LOWER PLASTIC PISTONS



HAKKIMIZDA / ABOUT US

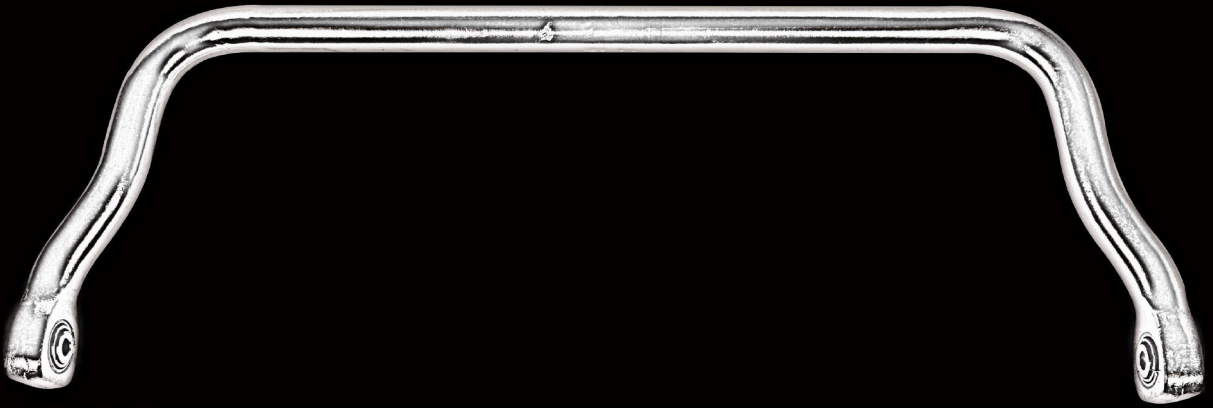
Mercedes-Benz otobüs yedek parçaları ile imalat sektörüne giriş yapan firmamız, Mercedes-Benz, Setra, Neoplan, Man, Bova, Temsa, Bmc, Otokar ve Güteryüz - Cobra marka otobüslerin; piston, pleyt, travers, travers bağlantı ekipmanları, viraj denge milleri, şase bağlantı ekipmanları gibi birçok mekanik yedek parça üretimi ve Mercedes-Benz, Renault, Man, Volvo, Daf marka kamyon ve tırların; piston, pleyt gibi yedek parçalarının üretimi ile imalat yelpazesini gün geçtikçe genişletmektedir.

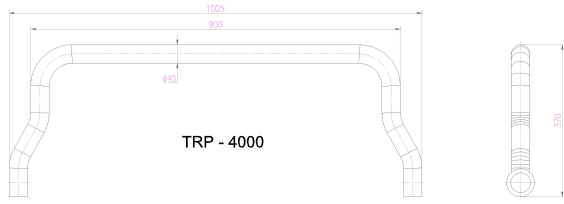
Firmamız, ürün grupları dahilindeki tüm yedek parçaları üretebilme kapasitesine sahiptir.

Our company which enters the manufacturing sector with spare parts of Mercedes-Benz bus, Mercedes-Benz, Setra, Neoplan, Man, Bova, Temsa, Bmc, Otokar and Güteryüz - Cobra brand buses; the production of many mechanical spare parts such as piston, plate, traverse, traverse connection equipments, stabiliser, chassis connection equipments and trucks of Mercedes-Benz, Renault, Man, Volvo, Daf brand; piston, and plate spare parts, and the manufacturing sector is expanding day by day.

Our company has the capacity to produce all spare parts in product groups.

STABILIZER BARS
VİRAJ DENCE MİLLERİ



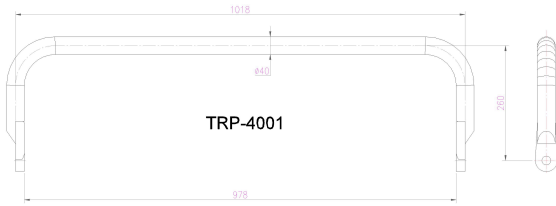


TRP - 4000



TRP-4000 MAN FORTUNA STABILIZATOR

| OEM REFERENCES | | CROSS REFERENCES | |
|----------------|-------------|------------------|--|
| MAN | 81437150100 | | |
| MAN | 81437156064 | | |
| | | | |
| | | | |
| | | | |
| | | | |
| | | | |
| | | | |
| | | | |
| | | | |
| | | | |

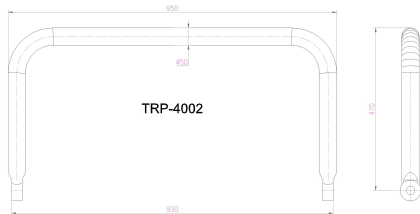


TRP-4001



TRP-4001 MITSUBISHI STABILIZATOR

| OEM REFERENCES | | CROSS REFERENCES | |
|----------------|--|------------------|--|
| | | | |
| | | | |
| | | | |
| | | | |
| | | | |
| | | | |
| | | | |
| | | | |
| | | | |
| | | | |
| | | | |

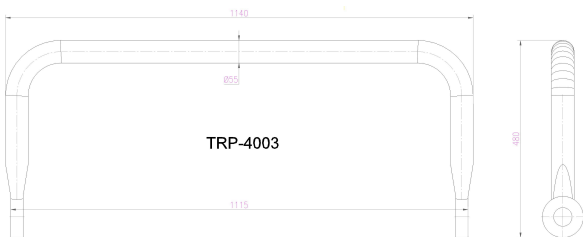


TRP-4002



TRP-4002 TEMSA SAFIR FRONT STABILIZATOR

| OEM REFERENCES | | CROSS REFERENCES | |
|----------------|----------|------------------|--|
| MITSUBISHI | MC371043 | | |
| | | | |
| | | | |
| | | | |
| | | | |
| | | | |
| | | | |
| | | | |
| | | | |
| | | | |
| | | | |

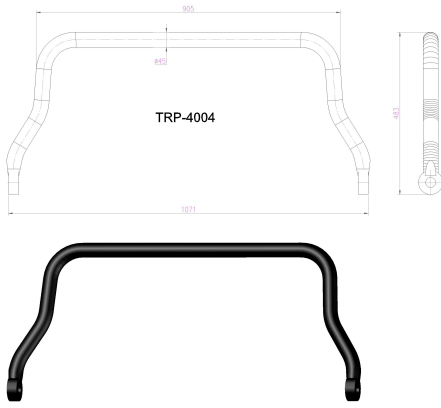


TRP-4003



TRP-4003 TEMSA SAFIR REAR STABILIZATOR

| OEM REFERENCES | | CROSS REFERENCES | |
|----------------|----------|------------------|--|
| MITSUBISHI | MC286631 | | |
| | | | |
| | | | |
| | | | |
| | | | |
| | | | |
| | | | |
| | | | |
| | | | |
| | | | |
| | | | |



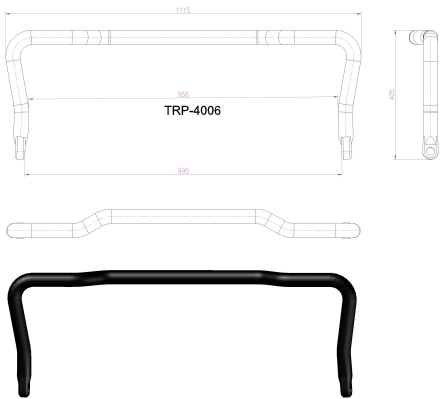
TRP-4004 TEMSA SAFIR STABILIZATOR (NEW MODEL)

| OEM REFERENCES | | CROSS REFERENCES | |
|----------------|------------|------------------|--|
| TEMSA | HD2602019Y | | |
| TEMSA | HD260201Y | | |
| | | | |
| | | | |
| | | | |
| | | | |
| | | | |
| | | | |
| | | | |



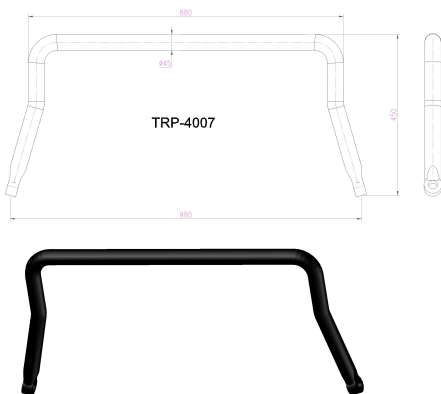
TRP-4005 MERCEDES 3032 TRUCK REAR STABILIZATOR

| OEM REFERENCES | | CROSS REFERENCES | |
|----------------|--|------------------|--|
| | | | |
| | | | |
| | | | |
| | | | |
| | | | |
| | | | |
| | | | |
| | | | |
| | | | |



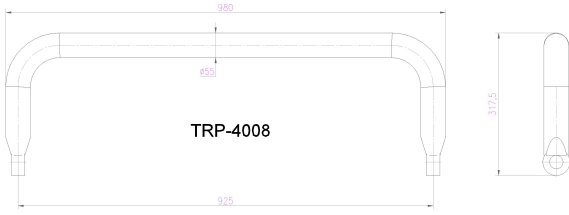
TRP-4006 MERCEDES 3032 TRUCK FRONT STABILIZATOR

| OEM REFERENCES | | CROSS REFERENCES | |
|----------------|------------|------------------|--|
| MERCEDES | 6523230765 | | |
| | | | |
| | | | |
| | | | |
| | | | |
| | | | |
| | | | |
| | | | |
| | | | |



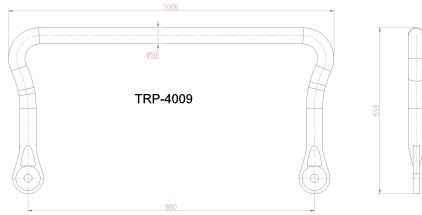
TRP-4007 MERCEDES CONNECTO STABILIZATOR

| OEM REFERENCES | | CROSS REFERENCES | |
|----------------|------------|------------------|--|
| MERCEDES | 6283260265 | | |
| | | | |
| | | | |
| | | | |
| | | | |
| | | | |
| | | | |
| | | | |
| | | | |



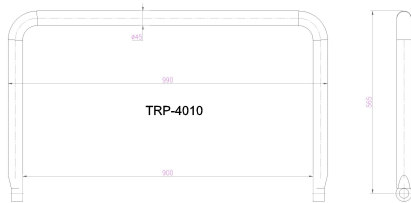
TRP-4008 GULERYUZ-COBRA FRONT STABILIZATOR

| OEM REFERENCES | | CROSS REFERENCES | |
|----------------|--|------------------|--|
| | | | |
| | | | |
| | | | |
| | | | |
| | | | |
| | | | |
| | | | |
| | | | |
| | | | |
| | | | |



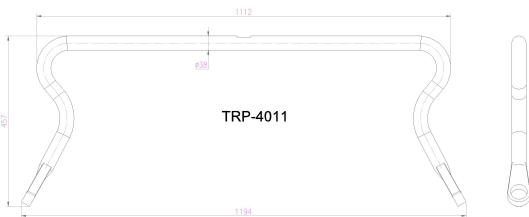
TRP-4009 MERCEDES V8 FRONT STABILIZATOR

| OEM REFERENCES | | CROSS REFERENCES | |
|----------------|------------|------------------|--|
| MERCEDES | 3013230065 | | |
| | | | |
| | | | |
| | | | |
| | | | |
| | | | |
| | | | |
| | | | |
| | | | |
| | | | |



TRP-4010 MAN TEZELLER STABILIZATOR

| OEM REFERENCES | | CROSS REFERENCES | |
|----------------|--|------------------|--|
| | | | |
| | | | |
| | | | |
| | | | |
| | | | |
| | | | |
| | | | |
| | | | |
| | | | |
| | | | |



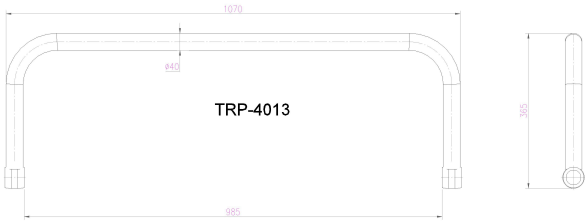
TRP-4011 MERCEDES 0403 FRONT STABILIZATOR

| OEM REFERENCES | | CROSS REFERENCES | |
|----------------|------------|------------------|--|
| MERCEDES | 3563200311 | | |
| | | | |
| | | | |
| | | | |
| | | | |
| | | | |
| | | | |
| | | | |
| | | | |
| | | | |



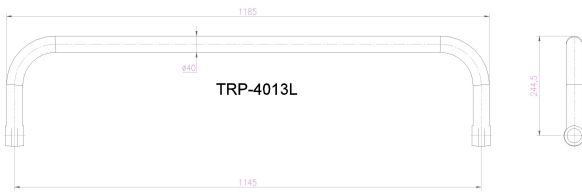
TRP-4012 NEOPLAN STABILIZATOR

| OEM REFERENCES | | CROSS REFERENCES | |
|----------------|----------|------------------|--|
| NEOPLAN | 11015917 | | |
| | | | |
| | | | |
| | | | |
| | | | |
| | | | |
| | | | |
| | | | |
| | | | |
| | | | |



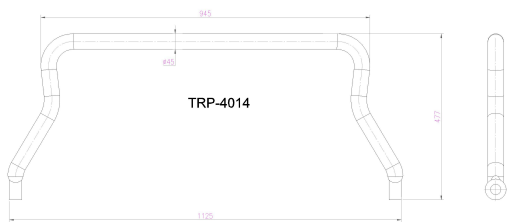
TRP-4013 BMC PROBUS STABILIZATOR

| OEM REFERENCES | | CROSS REFERENCES | |
|----------------|----------|------------------|--|
| BMC | 7B84692 | | |
| BMC | 7B808946 | | |
| | | | |
| | | | |
| | | | |
| | | | |
| | | | |
| | | | |
| | | | |
| | | | |
| | | | |



TRP-4013-L BMC DOUBLE-DECKER STABILIZATOR

| OEM REFERENCES | | CROSS REFERENCES | |
|----------------|--|------------------|--|
| | | | |
| | | | |
| | | | |
| | | | |
| | | | |
| | | | |
| | | | |
| | | | |
| | | | |
| | | | |
| | | | |



TRP-4014 MERCEDES TRAVEGO STABILIZATOR

| OEM REFERENCES | | CROSS REFERENCES | |
|----------------|------------|------------------|--|
| MERCEDES | 6293230165 | | |
| MERCEDES | 6293230365 | | |
| MERCEDES | 6293230665 | | |
| MERCEDES | 6290030032 | | |
| MERCEDES | 6290030232 | | |
| MERCEDES | 6293230565 | | |
| MERCEDES | 6293230465 | | |
| | 39806705 | | |
| | | | |
| | | | |
| | | | |
| | | | |
| | | | |
| | | | |
| | | | |
| | | | |
| | | | |
| | | | |

TRP-4015 UNIMOG STABILIZATOR



| OEM REFERENCES | | CROSS REFERENCES | |
|----------------|--|------------------|--|
| | | | |
| | | | |
| | | | |
| | | | |
| | | | |
| | | | |
| | | | |
| | | | |
| | | | |
| | | | |

TRP-4016 MAN REAR STABILIZATOR



| OEM REFERENCES | | CROSS REFERENCES | |
|----------------|--|------------------|--|
| | | | |
| | | | |
| | | | |
| | | | |
| | | | |
| | | | |
| | | | |
| | | | |
| | | | |
| | | | |

TRP-4017 MERCEDES 0302 REAR STABILIZATOR

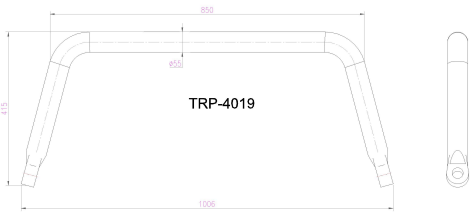


| OEM REFERENCES | | CROSS REFERENCES | |
|----------------|--|------------------|--|
| | | | |
| | | | |
| | | | |
| | | | |
| | | | |
| | | | |
| | | | |
| | | | |
| | | | |
| | | | |

TRP-4018 MERCEDES V6-V8 REAR STABILIZATOR

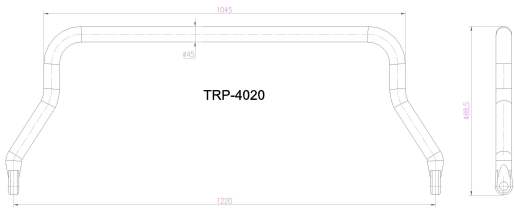


| OEM REFERENCES | | CROSS REFERENCES | |
|----------------|--|------------------|--|
| | | | |
| | | | |
| | | | |
| | | | |
| | | | |
| | | | |
| | | | |
| | | | |
| | | | |
| | | | |



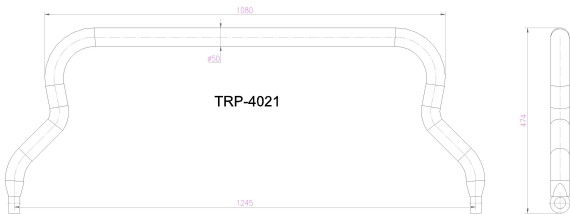
TRP-4019 GULERYUZ-COBRA REAR STABILIZATOR

| OEM REFERENCES | | CROSS REFERENCES | |
|----------------|--|------------------|--|
| | | | |
| | | | |
| | | | |
| | | | |
| | | | |
| | | | |
| | | | |
| | | | |
| | | | |
| | | | |



TRP-4020 SETRA 417 FRONT STABILIZATOR

| OEM REFERENCES | | CROSS REFERENCES | |
|----------------|---------------|------------------|--|
| SETRA | 139231111204C | | |
| | | | |
| | | | |
| | | | |
| | | | |
| | | | |
| | | | |
| | | | |
| | | | |
| | | | |



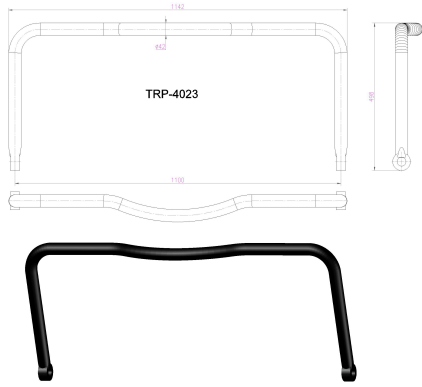
TRP-4021 SETRA 431 FRONT STABILIZATOR

| OEM REFERENCES | | CROSS REFERENCES | |
|----------------|------------|------------------|--|
| SETRA | 4103230265 | | |
| SETRA | 4103230565 | | |
| | | | |
| | | | |
| | | | |
| | | | |
| | | | |
| | | | |
| | | | |
| | | | |



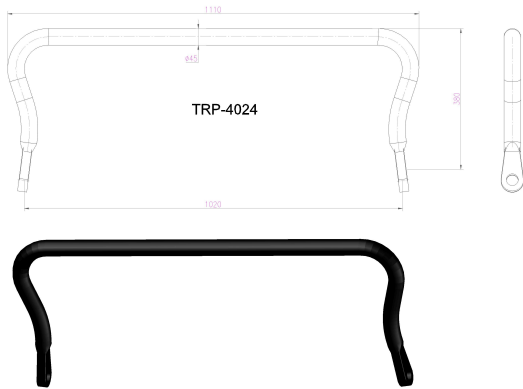
TRP-4022 TEZELLER STABILIZATOR (NEW MODEL)

| OEM REFERENCES | | CROSS REFERENCES | |
|----------------|--|------------------|--|
| | | | |
| | | | |
| | | | |
| | | | |
| | | | |
| | | | |
| | | | |
| | | | |
| | | | |
| | | | |



TRP-4023 SETRA STABILIZATOR

| OEM REFERENCES | | CROSS REFERENCES | |
|----------------|-------------------|------------------|--|
| SETRA | 179-23.11.112.01D | | |
| | | | |
| | | | |
| | | | |
| | | | |
| | | | |
| | | | |
| | | | |
| | | | |
| | | | |



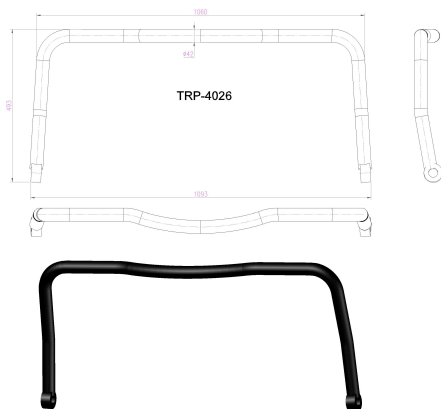
TRP-4024 BMC PROCITY STABILIZATOR

| OEM REFERENCES | | CROSS REFERENCES | |
|----------------|------------|------------------|--|
| BMC | 53RS705855 | | |
| | | | |
| | | | |
| | | | |
| | | | |
| | | | |
| | | | |
| | | | |
| | | | |
| | | | |



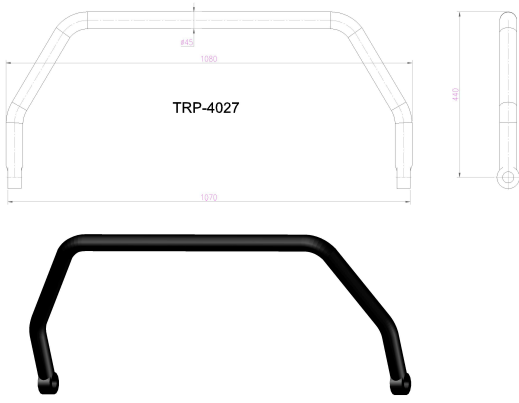
TRP-4025 BMC STABILIZATOR

| OEM REFERENCES | | CROSS REFERENCES | |
|----------------|--|------------------|--|
| | | | |
| | | | |
| | | | |
| | | | |
| | | | |
| | | | |
| | | | |
| | | | |
| | | | |
| | | | |



TRP-4026 SETRA 315 STABILIZATOR

| OEM REFERENCES | | CROSS REFERENCES | |
|----------------|-------------------|------------------|--|
| SETRA | 179-23.11.111.02D | | |
| | | | |
| | | | |
| | | | |
| | | | |
| | | | |
| | | | |
| | | | |
| | | | |
| | | | |



TRP-4027 **TEMSA STABILIZATOR**

| OEM REFERENCES | | CROSS REFERENCES | |
|----------------|--|------------------|--|
| | | | |
| | | | |
| | | | |
| | | | |
| | | | |
| | | | |
| | | | |
| | | | |
| | | | |
| | | | |



TRP-4028 **METROPOL STABILIZATOR**

| OEM REFERENCES | | CROSS REFERENCES | |
|----------------|--|------------------|--|
| | | | |
| | | | |
| | | | |
| | | | |
| | | | |
| | | | |
| | | | |
| | | | |
| | | | |
| | | | |



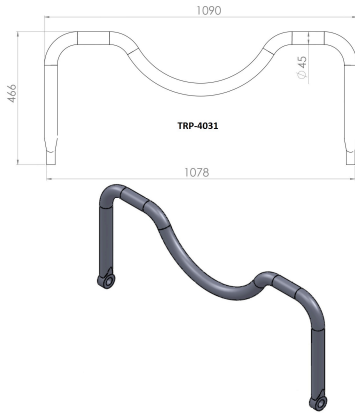
TRP-4029 **MAN STABILIZATOR**

| OEM REFERENCES | | CROSS REFERENCES | |
|----------------|--|------------------|--|
| | | | |
| | | | |
| | | | |
| | | | |
| | | | |
| | | | |
| | | | |
| | | | |
| | | | |
| | | | |



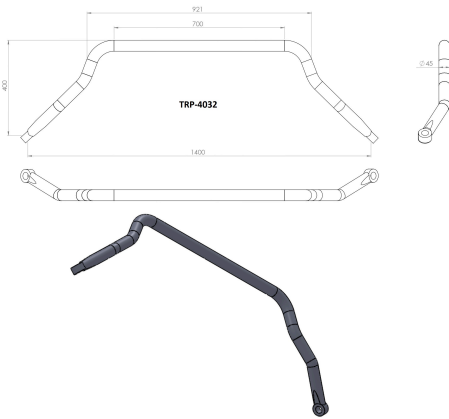
TRP-4030 **VOLVO STABILIZATOR**

| OEM REFERENCES | | CROSS REFERENCES | |
|----------------|--|------------------|--|
| | | | |
| | | | |
| | | | |
| | | | |
| | | | |
| | | | |
| | | | |
| | | | |
| | | | |
| | | | |



TRP-4031 MERCEDES TRAVEGO REAR STABILIZATOR

| OEM REFERENCES | | CROSS REFERENCES | |
|----------------|------------|------------------|--|
| MERCEDES BENZ | 6293260165 | | |
| MERCEDES BENZ | 6293260265 | | |
| | | | |
| | | | |
| | | | |
| | | | |
| | | | |
| | | | |



TRP-4032 VOLVO STABILIZATOR

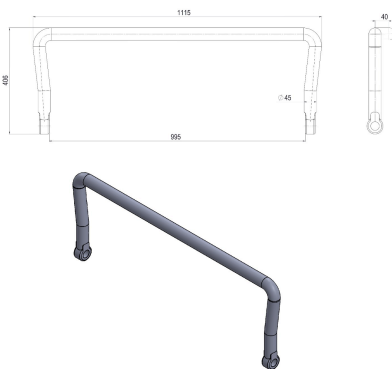
| OEM REFERENCES | | CROSS REFERENCES | |
|----------------|----------|------------------|--|
| volvo | 70313713 | | |
| volvo | 270216 | | |
| volvo | 3177043 | | |
| volvo | 21458765 | | |
| volvo | 21243901 | | |
| | | | |
| | | | |
| | | | |
| | | | |



TRP-4033 ISUZU CITIPORT REAR STABILIZATOR

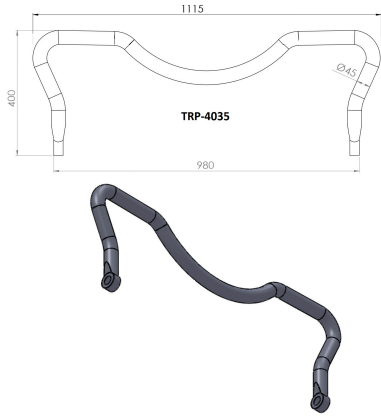
| OEM REFERENCES | | CROSS REFERENCES | |
|----------------|-----------------|------------------|--|
| ISUZU | 387.021.6300.01 | | |
| ISUZU | 387021630001 | | |
| | | | |
| | | | |
| | | | |
| | | | |
| | | | |
| | | | |

TRP-4034



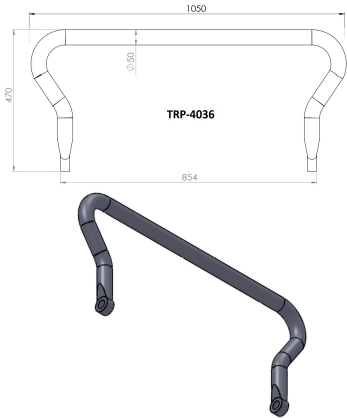
TRP-4034 MERCEDES BENZ CITARO STABILIZATOR

| OEM REFERENCES | | CROSS REFERENCES | |
|----------------|------------|------------------|--|
| MERCEDES-BENZ | 6283230065 | | |
| | | | |
| | | | |
| | | | |
| | | | |
| | | | |
| | | | |
| | | | |



TRP-4035 MERCEDES BENZ STABILIZATOR

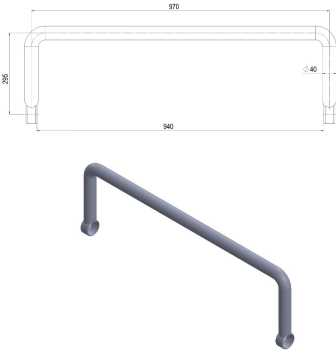
| OEM REFERENCES | | CROSS REFERENCES | |
|----------------|------------|------------------|--|
| Mercedes benz | 6343260265 | | |
| | | | |
| | | | |
| | | | |
| | | | |
| | | | |
| | | | |
| | | | |



TRP-4036 MERCEDES BENZ STABILIZATOR

| OEM REFERENCES | | CROSS REFERENCES | |
|----------------|------------|------------------|--|
| Mercedes Benz | 6343230165 | | |
| | | | |
| | | | |
| | | | |
| | | | |
| | | | |
| | | | |
| | | | |

TRP-4037



TRP-4037 OTOKAR REAR STABILIZATOR

| OEM REFERENCES | | CROSS REFERENCES | |
|----------------|----------------|------------------|--|
| OTOKAR | 16F00-06106-AB | | |
| | | | |
| | | | |
| | | | |
| | | | |
| | | | |
| | | | |
| | | | |



TRP-4038 MERCEDES SETRA EURO-6 STABILIZATOR

| OEM REFERENCES | | CROSS REFERENCES | |
|----------------|--|------------------|--|
| 4103200311 | | | |
| | | | |
| | | | |
| | | | |
| | | | |
| | | | |
| | | | |
| | | | |



TRP-4039 MAN STABILIZATOR

| OEM REFERENCES | | CROSS REFERENCES | |
|----------------|-------------|------------------|--|
| MAN | 81437150164 | | |
| MAN | 81437156115 | | |
| MAN | 81437156101 | | |
| | | | |
| | | | |
| | | | |
| | | | |
| | | | |

TRP-4040



TRP-4040 DAF STABILIZATOR

| OEM REFERENCES | | CROSS REFERENCES | |
|----------------|---------|------------------|--|
| DAF | 1286906 | | |
| | | | |
| | | | |
| | | | |
| | | | |
| | | | |
| | | | |
| | | | |



TRP-4041 IVECO DAILY STABILIZATOR

| OEM REFERENCES | | CROSS REFERENCES | |
|----------------|-----------|------------------|--|
| IVECO | 504170843 | | |
| | | | |
| | | | |
| | | | |
| | | | |
| | | | |
| | | | |
| | | | |

Notes



A series of horizontal dotted lines spanning the width of the page, providing a template for handwritten notes.



Safe Travels...
With **TRAPI**
TRAVERS ■ PLEYT ■ PISTON



trapi.com.tr

